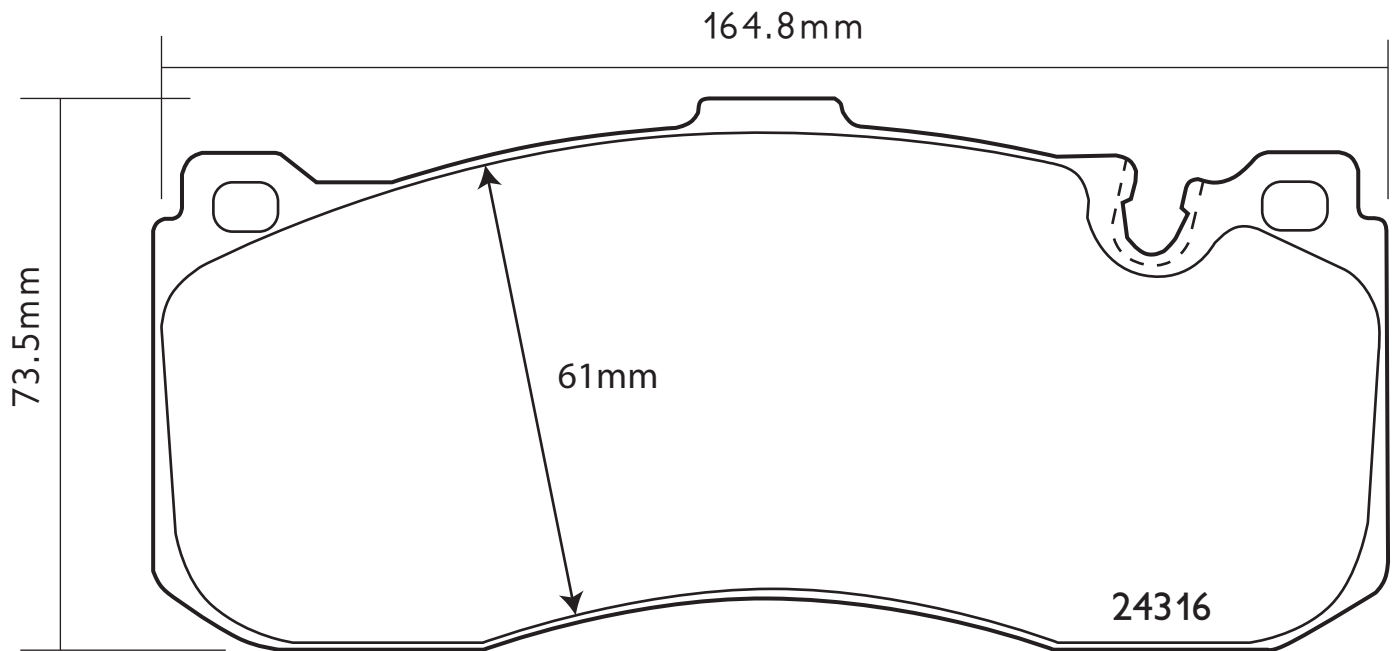


07.B314.02

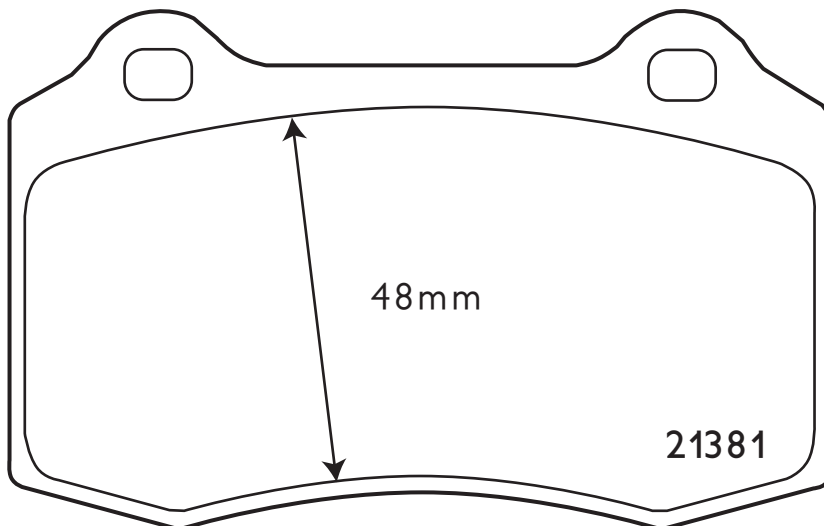
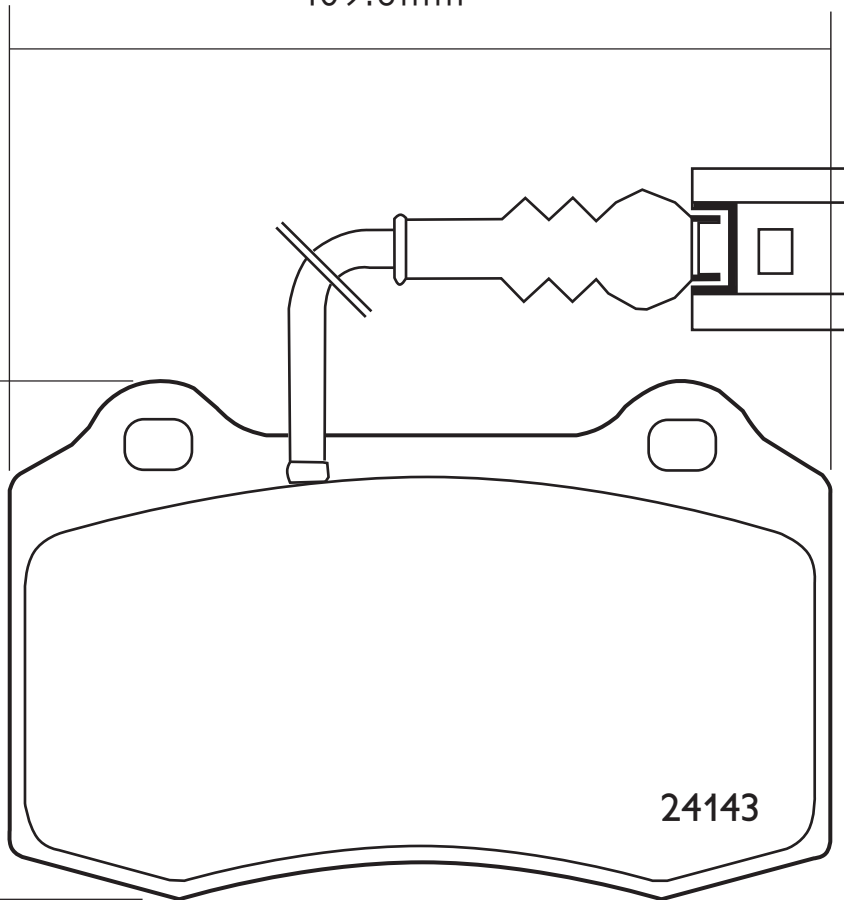
th 17.0mm



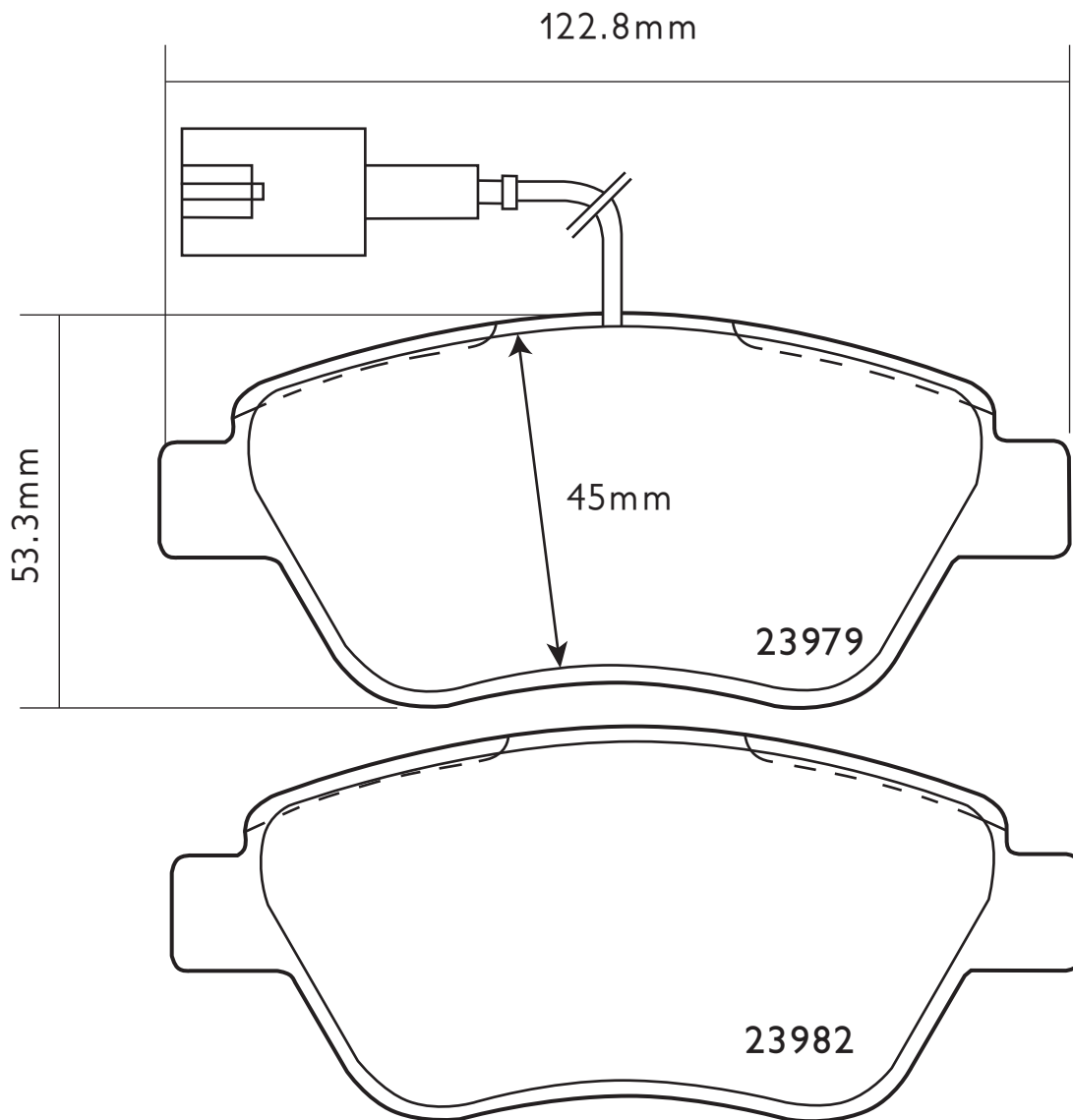
th 15.0mm

109.8mm

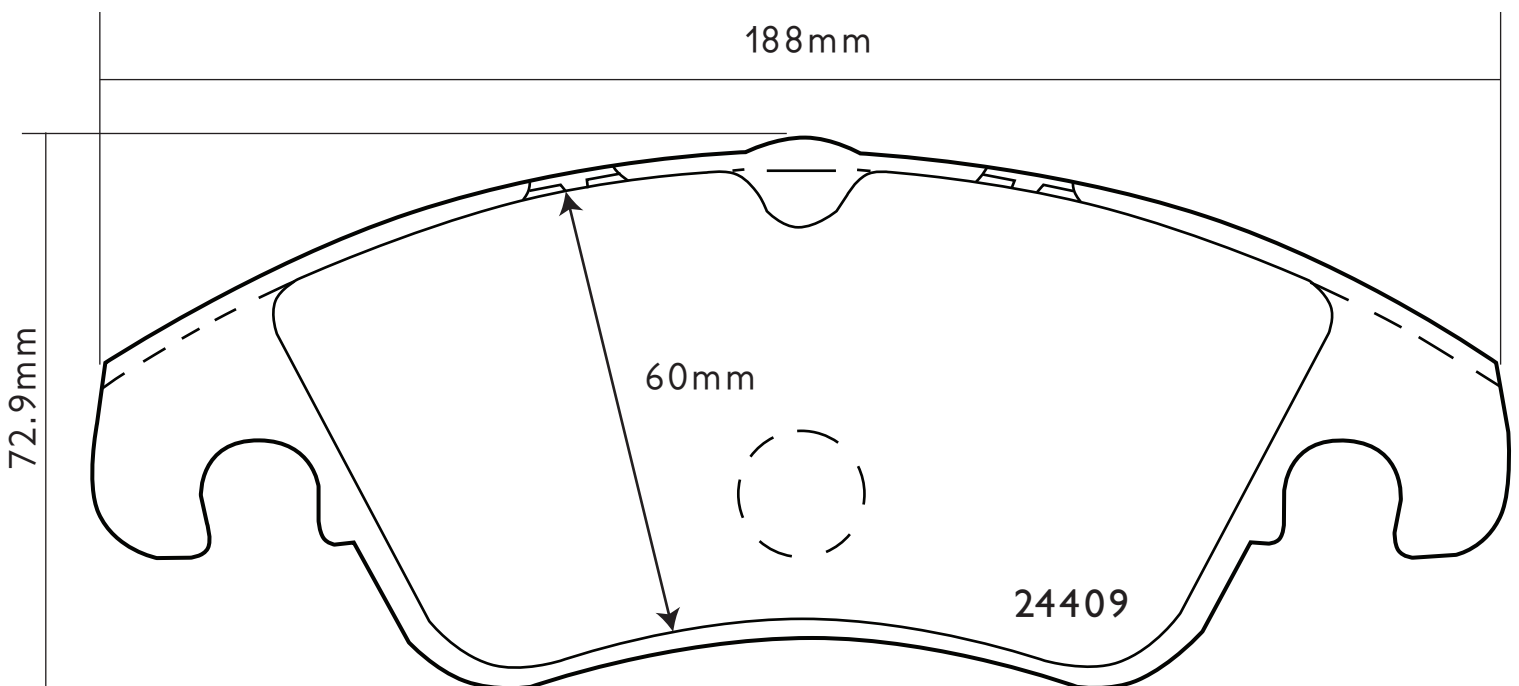
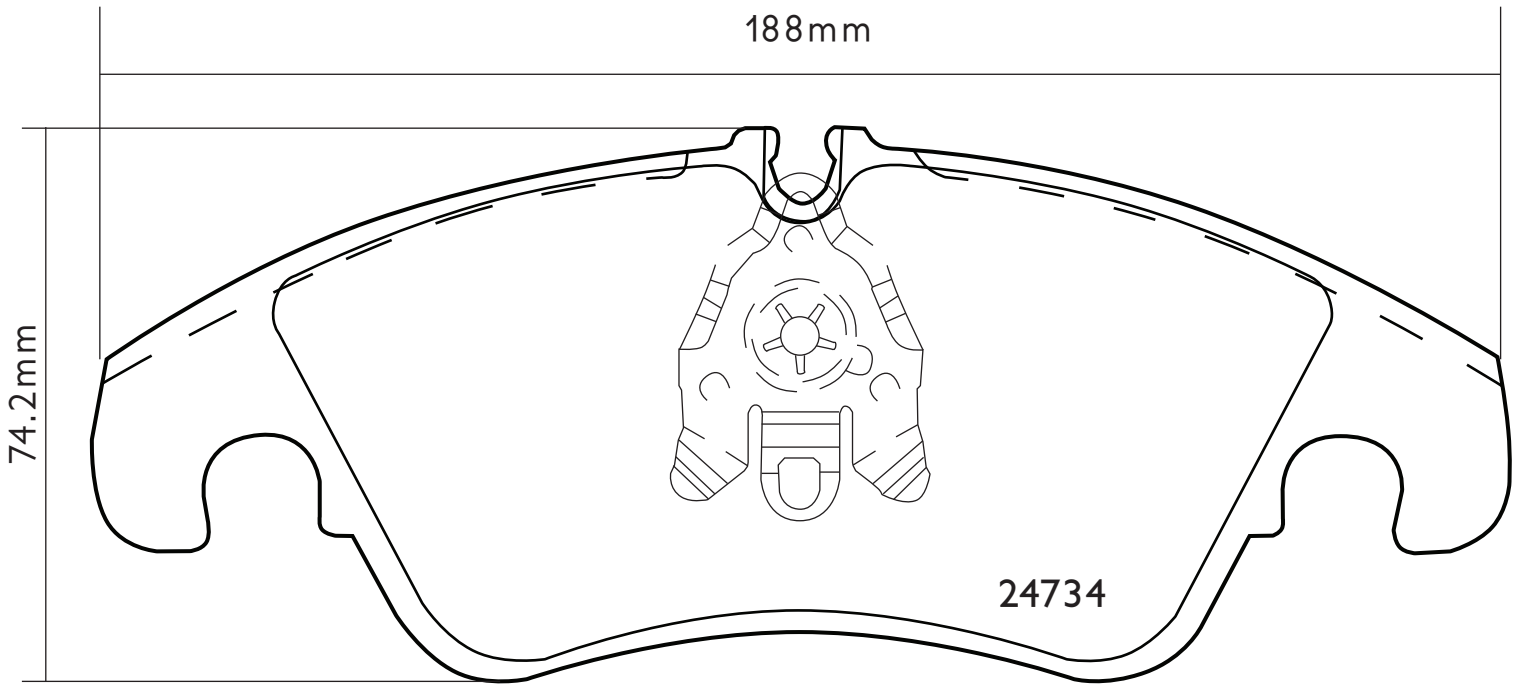
69.3mm



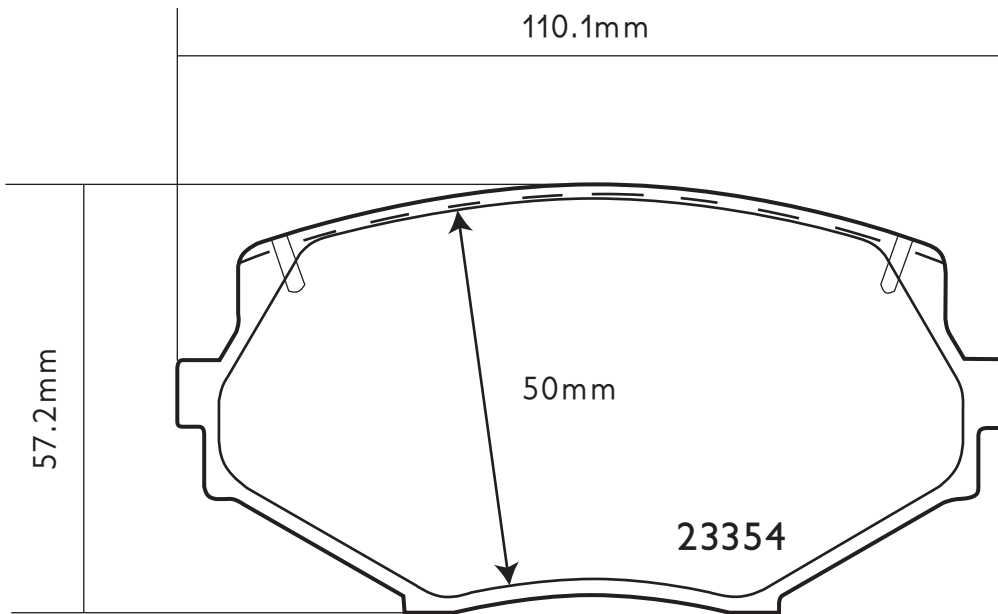
th 17.8mm



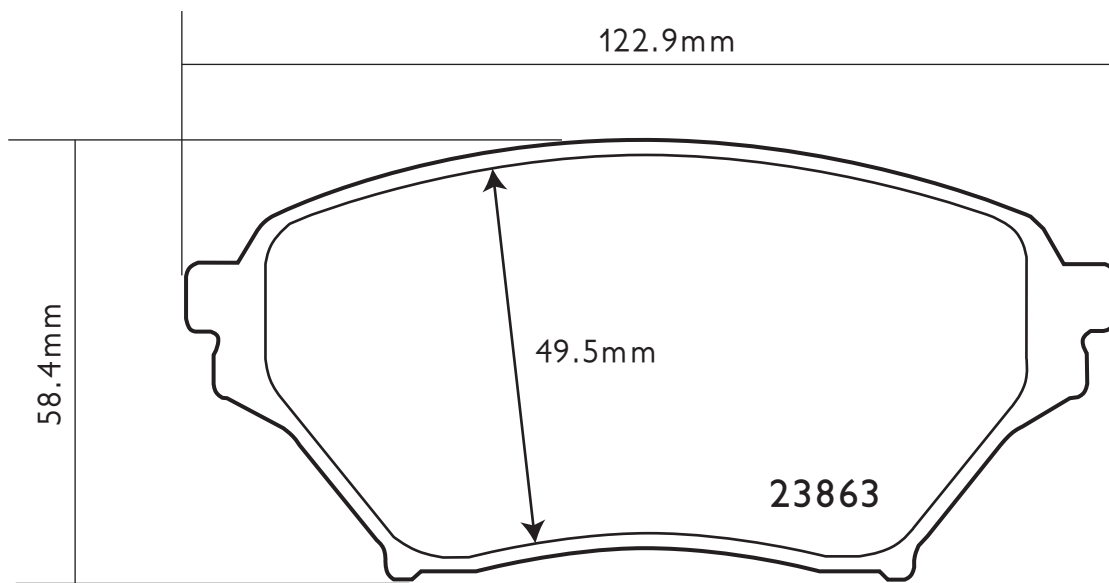
th 18.7mm



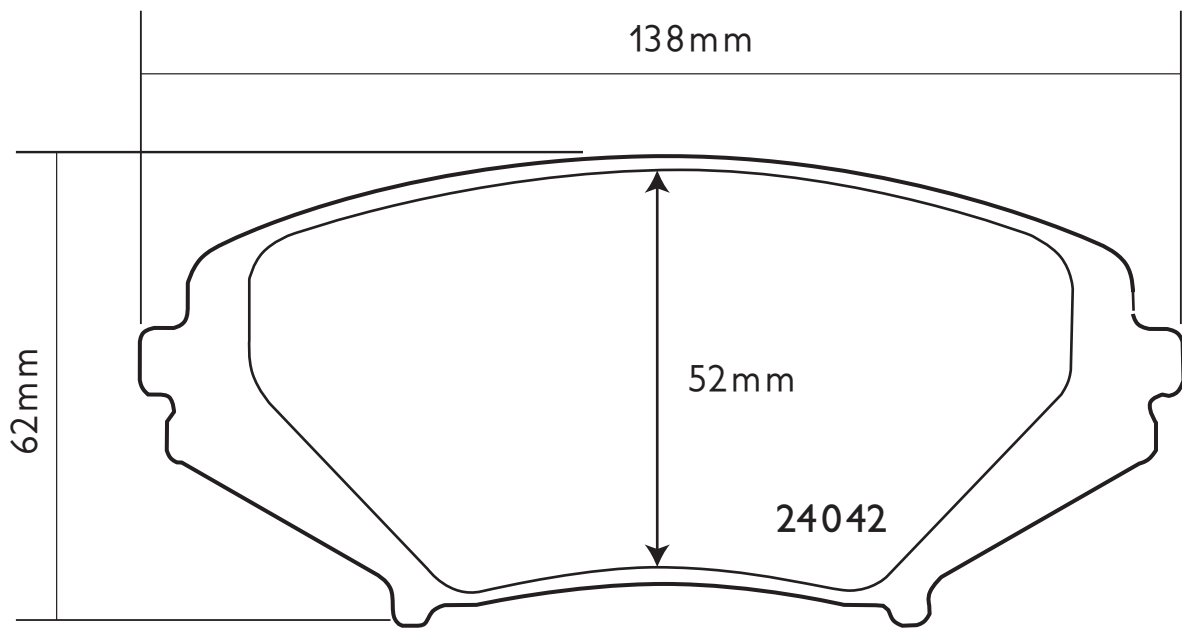
th 14mm



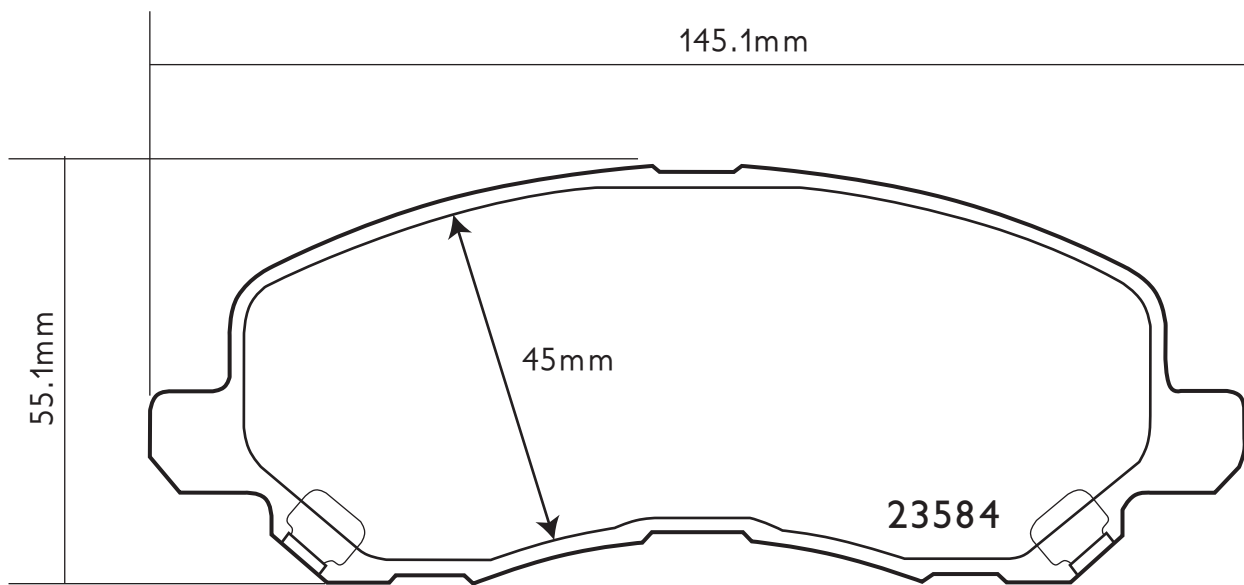
th 15mm



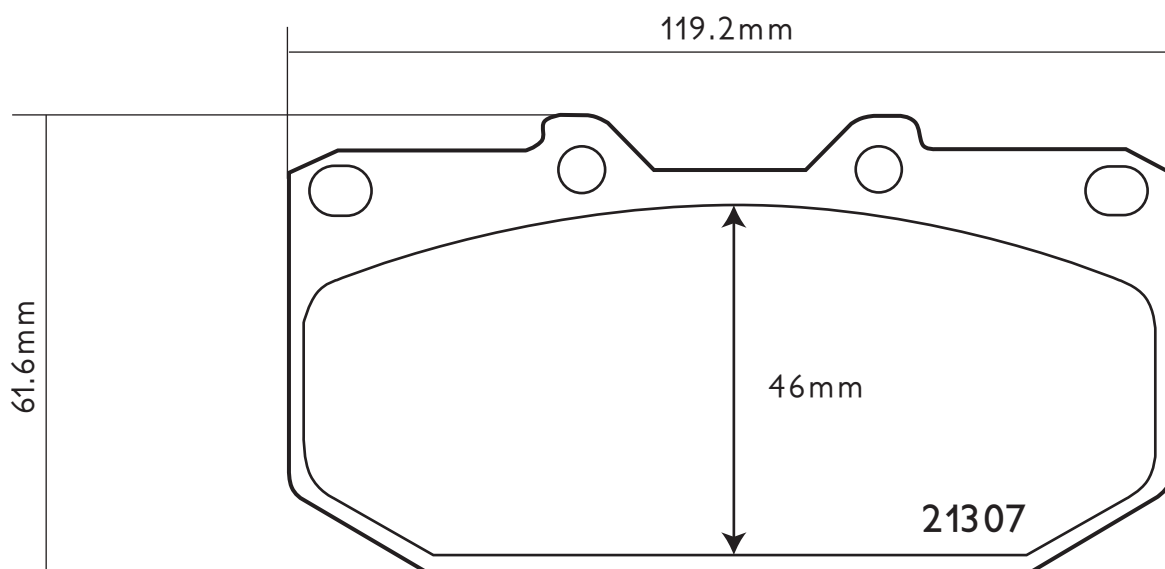
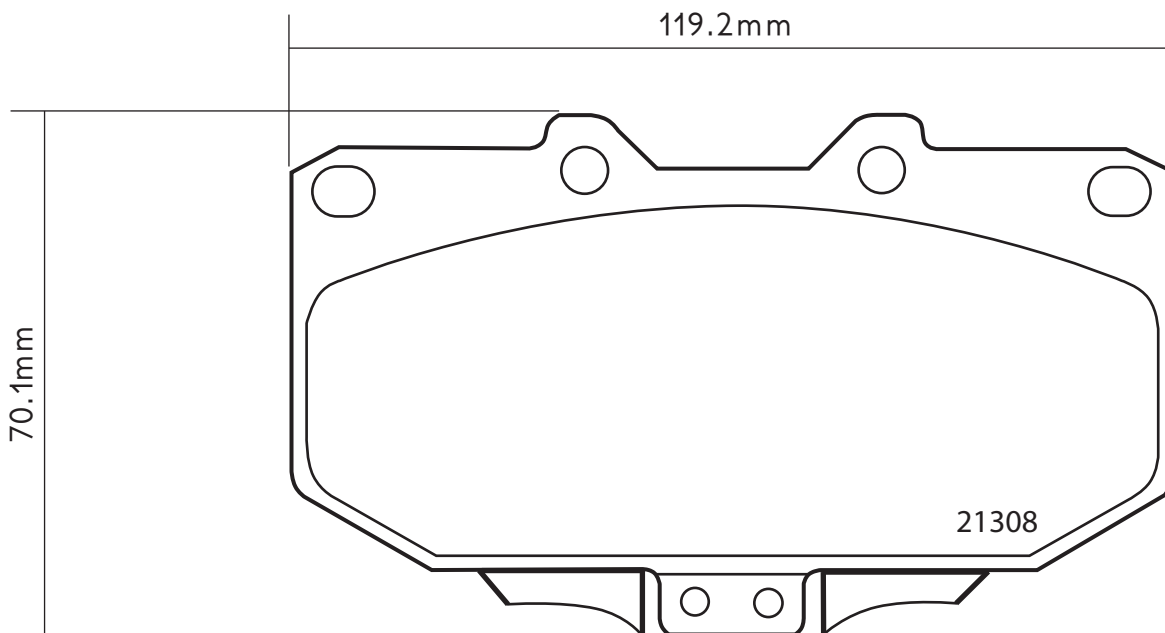
th 16.3mm



th 16mm

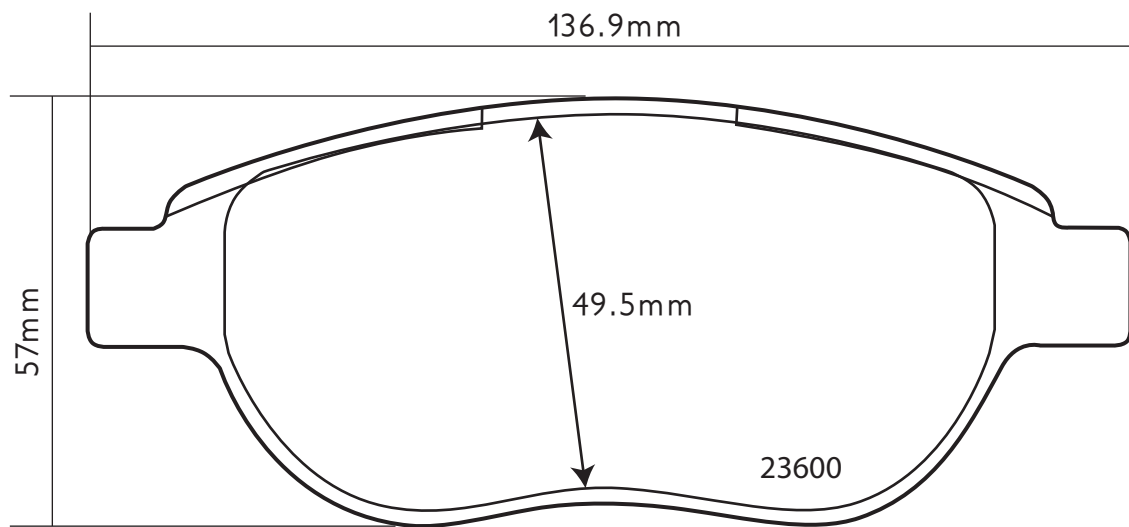


th 15mm

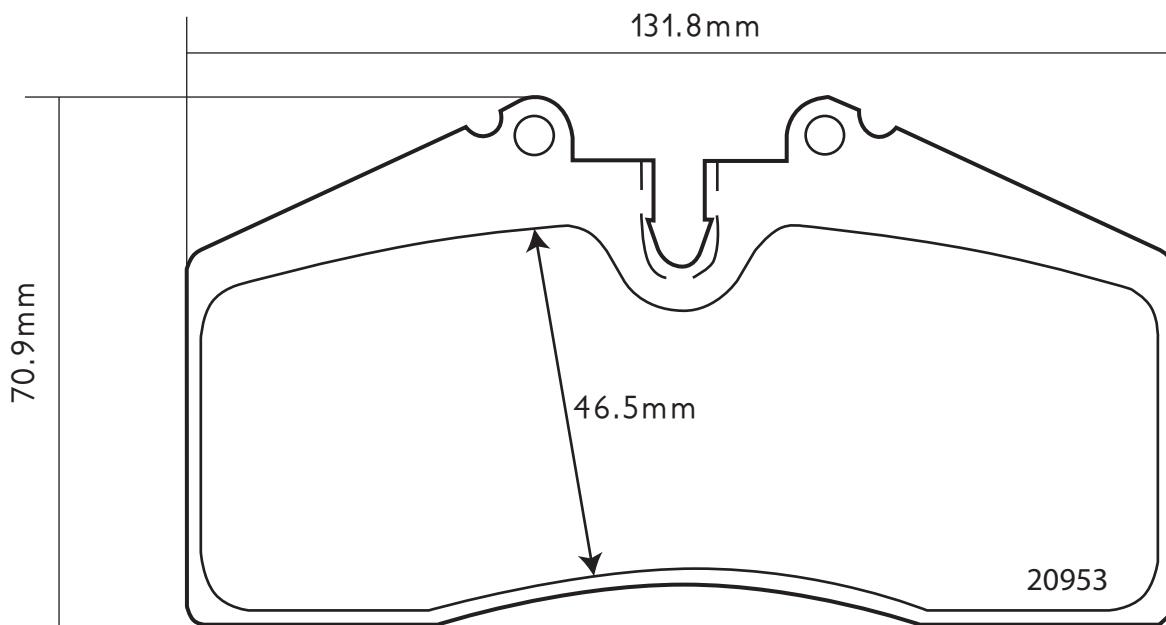


07.B314.11

th 18.4mm

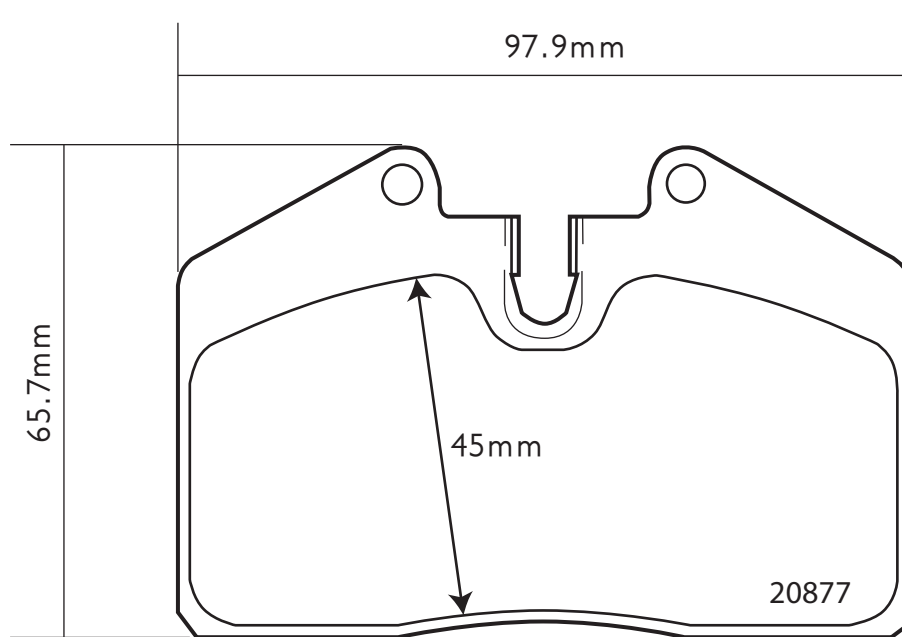


th 17.5mm

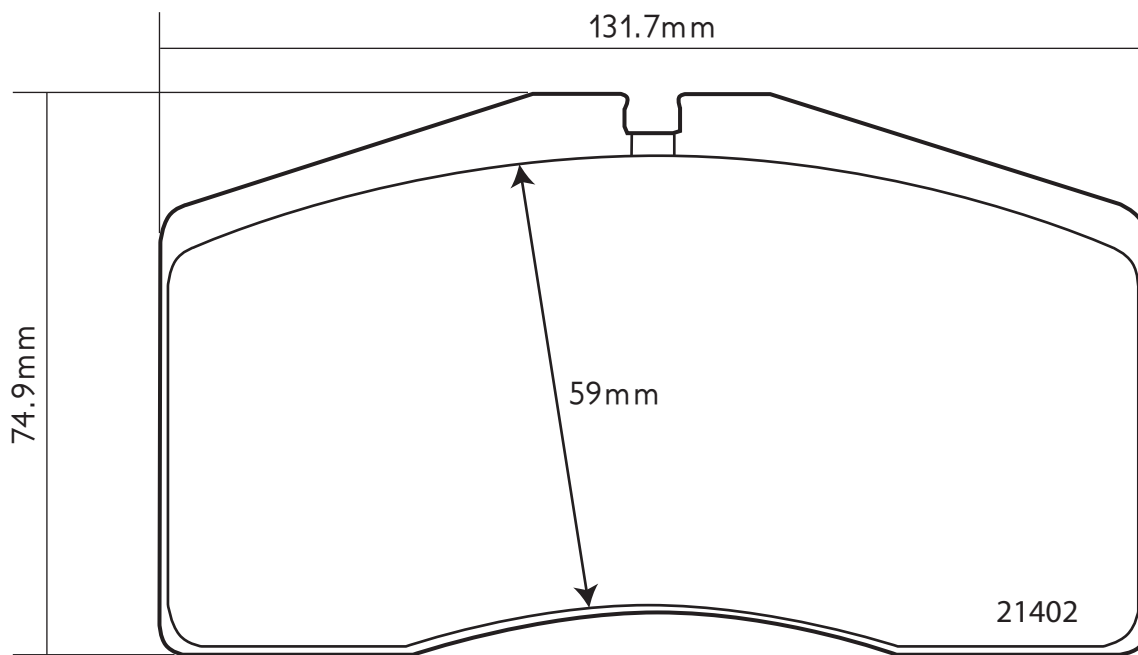


07.B314.13

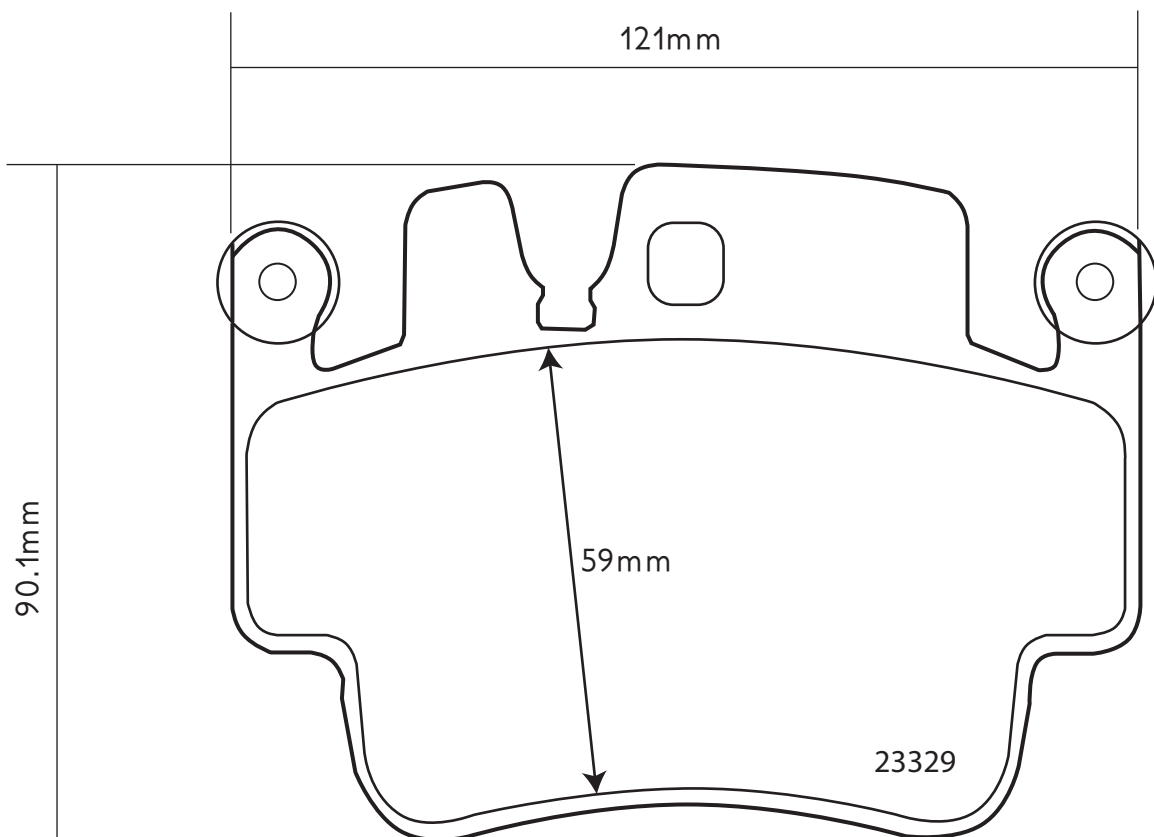
th 17.5mm



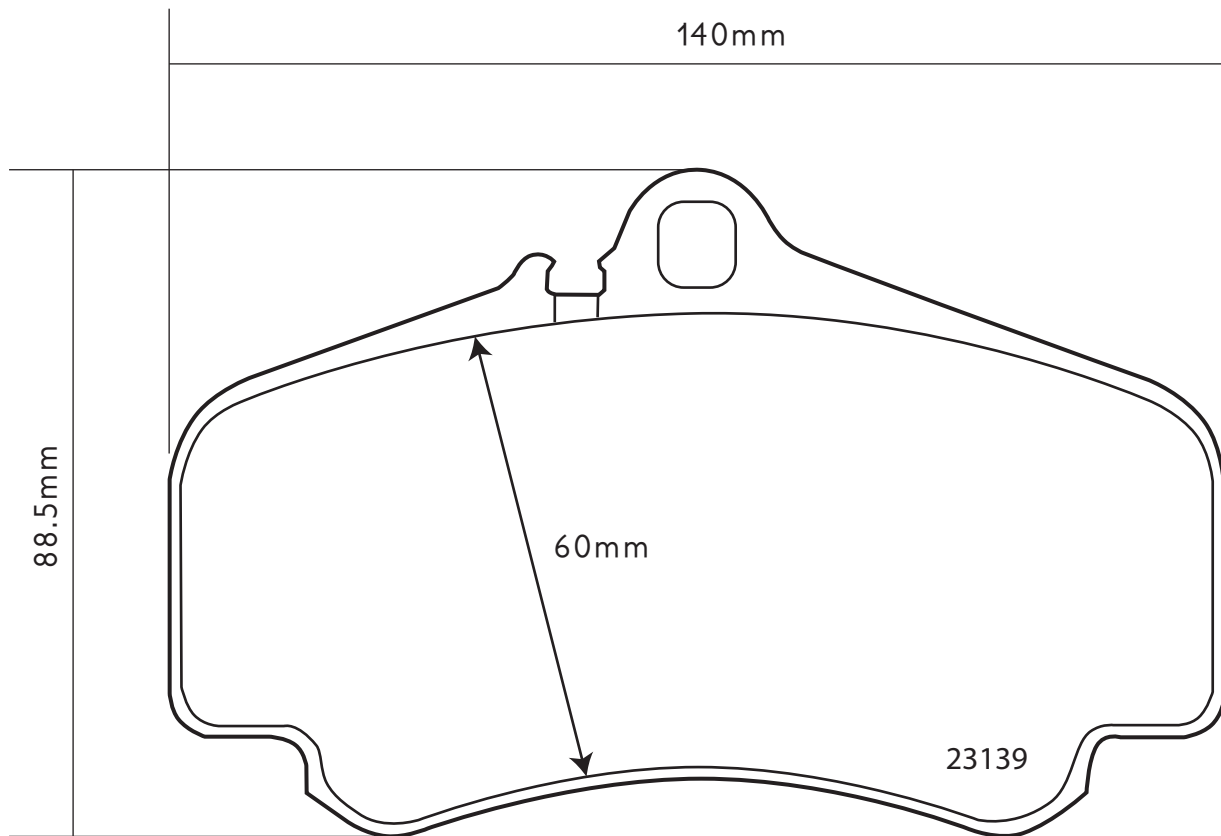
th 17.5mm



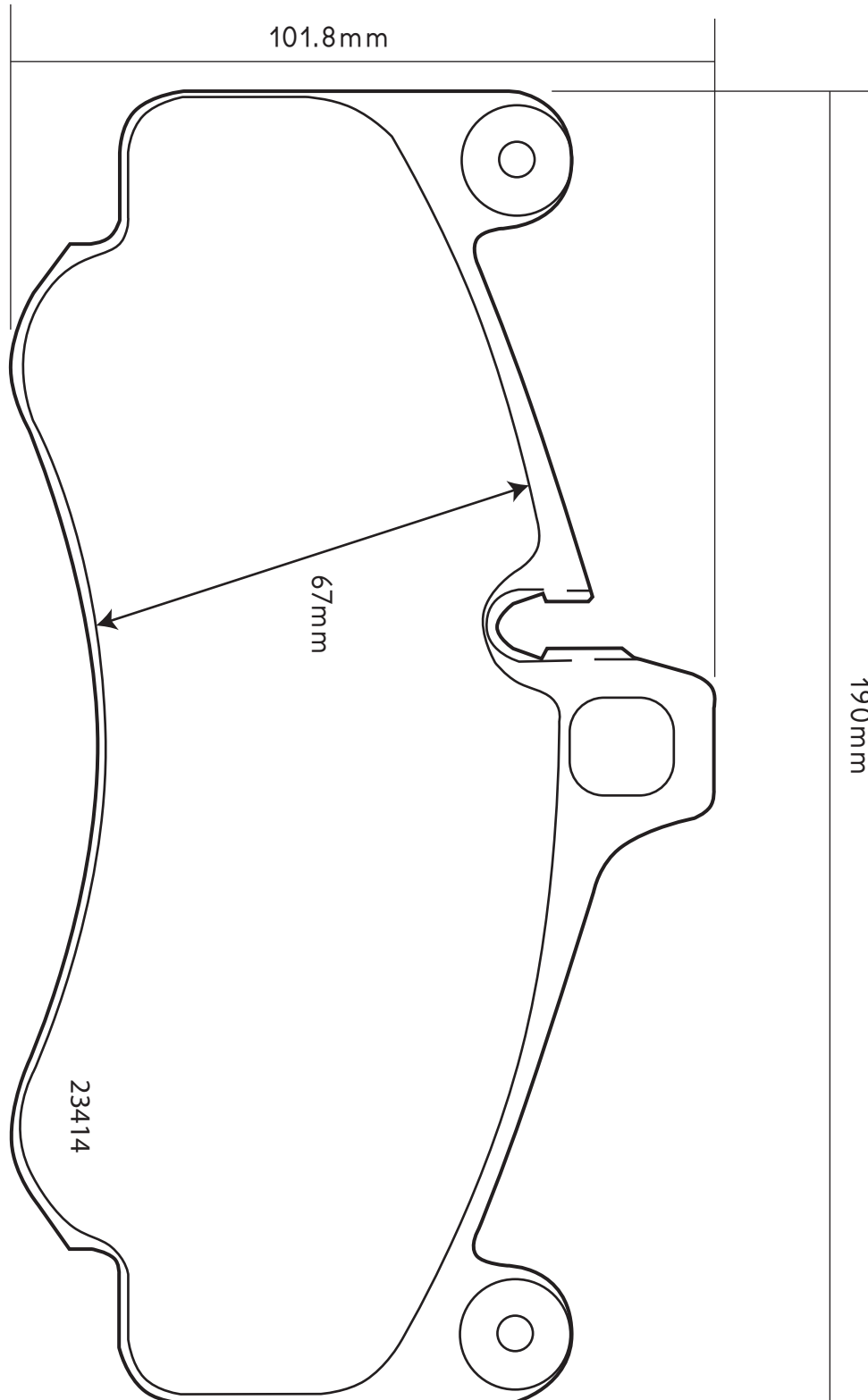
th 17mm



th 17mm

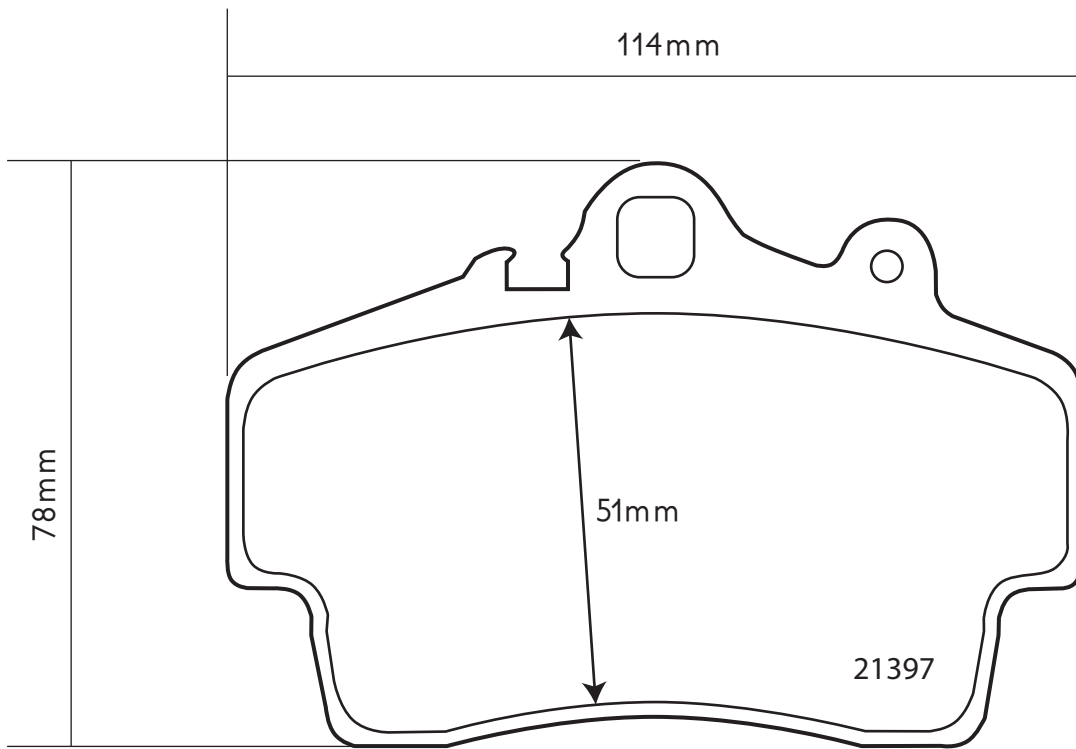


th 17mm



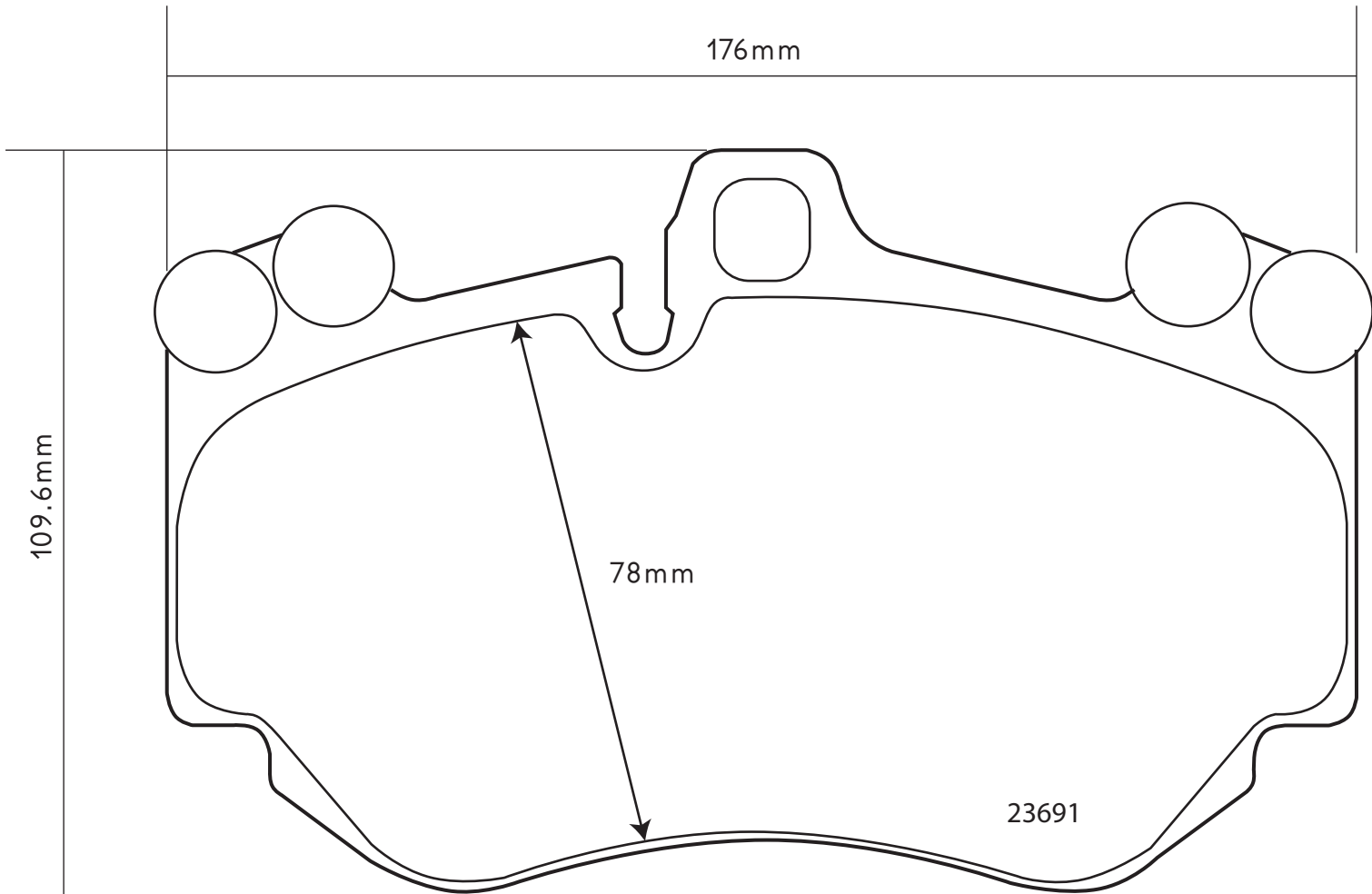
07.B314.18

th 16.2mm

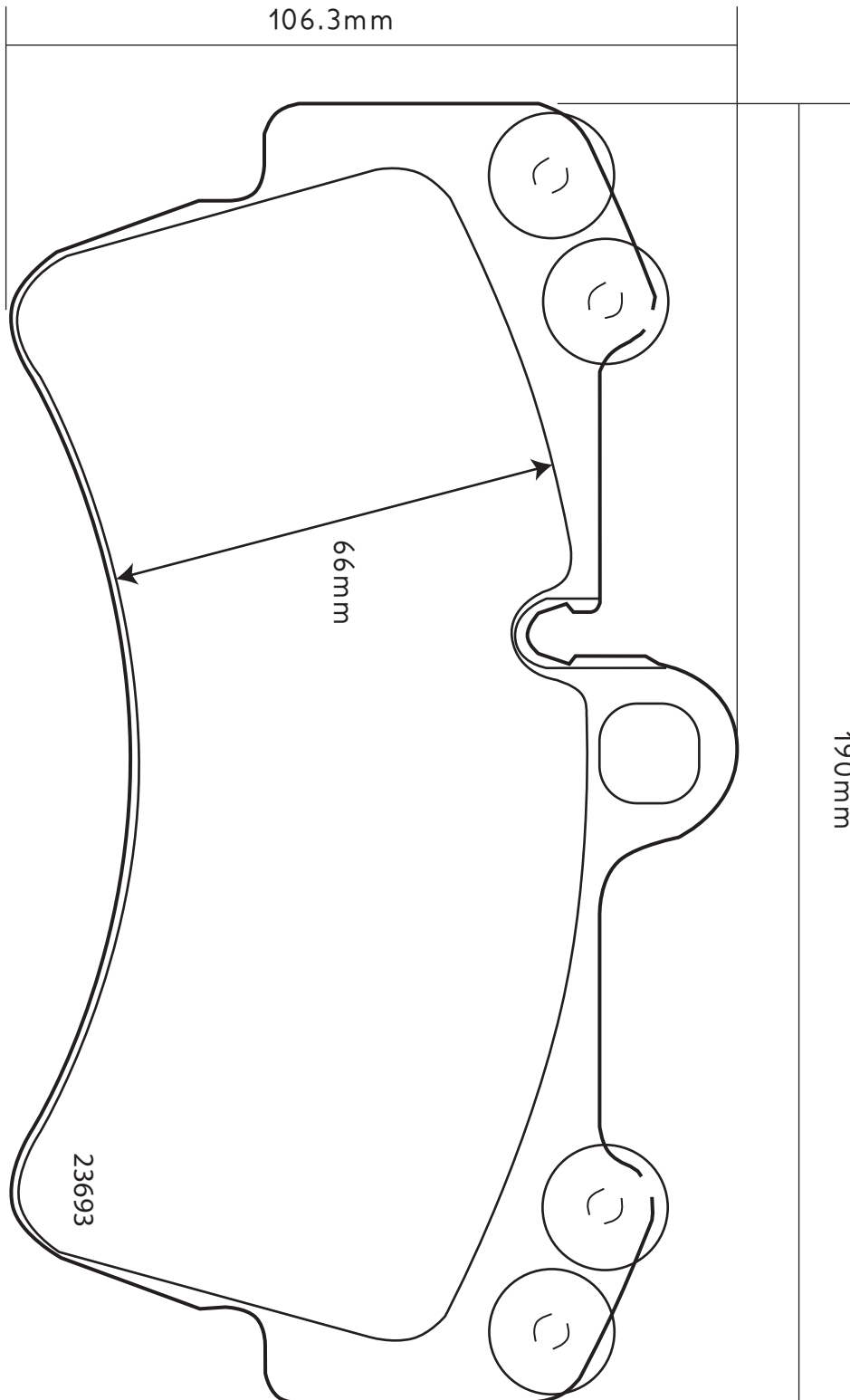


07.B314.19

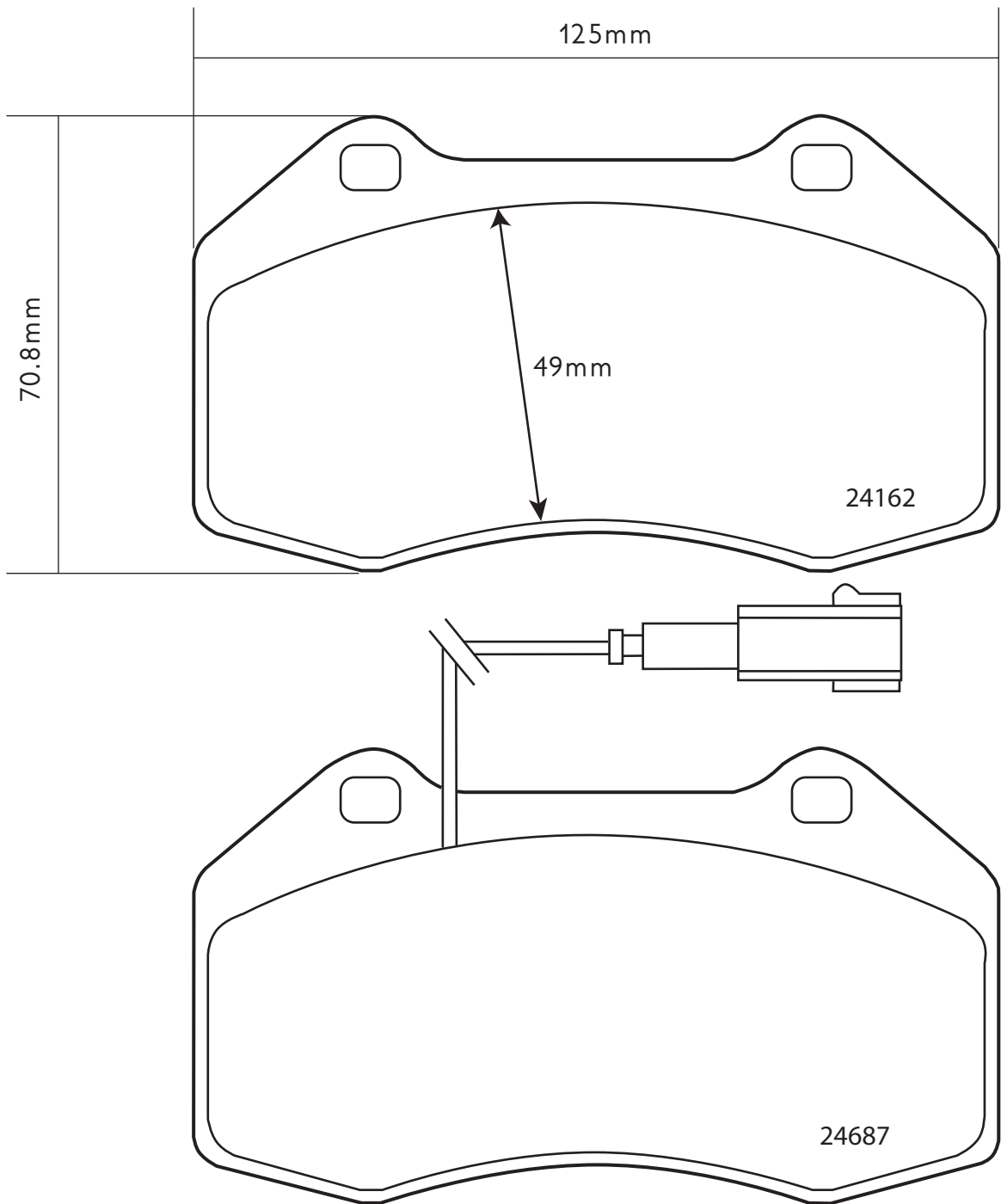
th 17mm



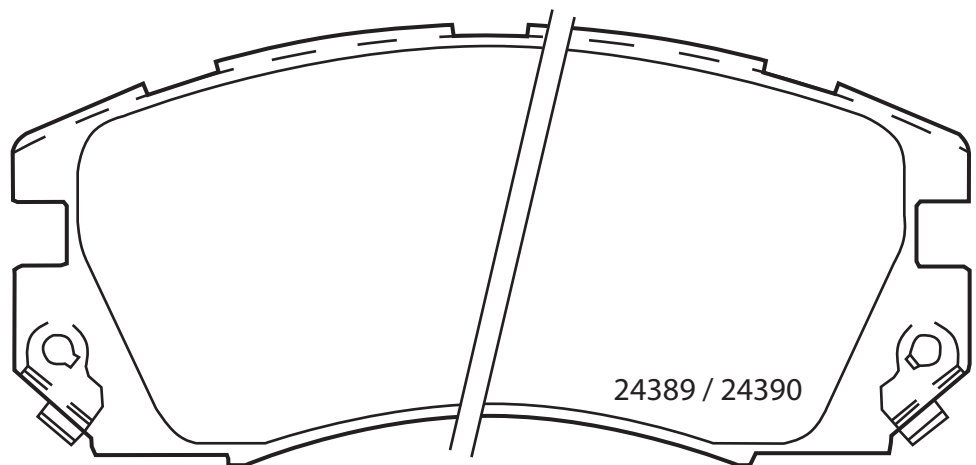
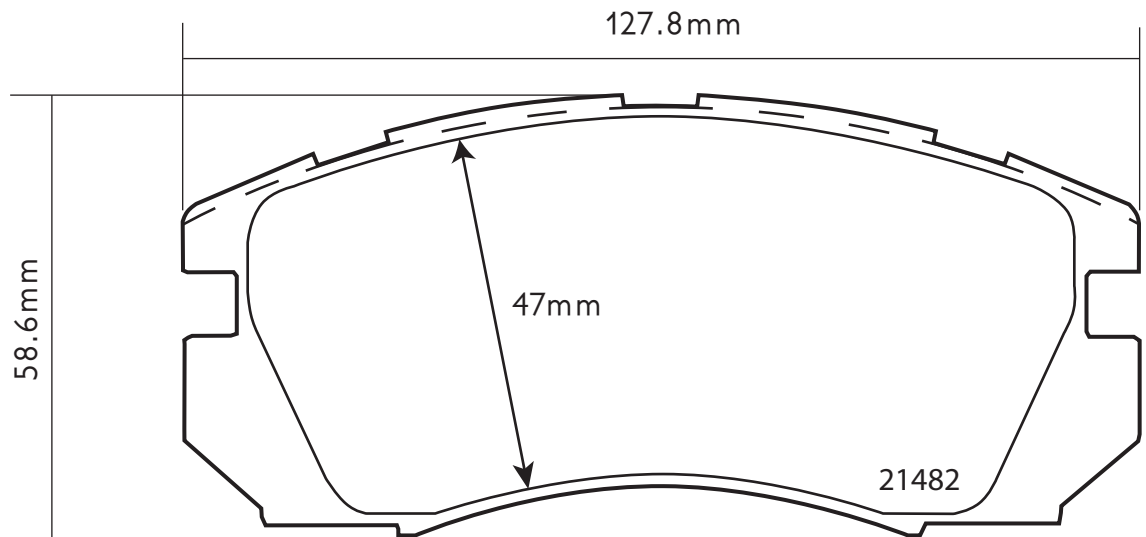
th 16.7mm



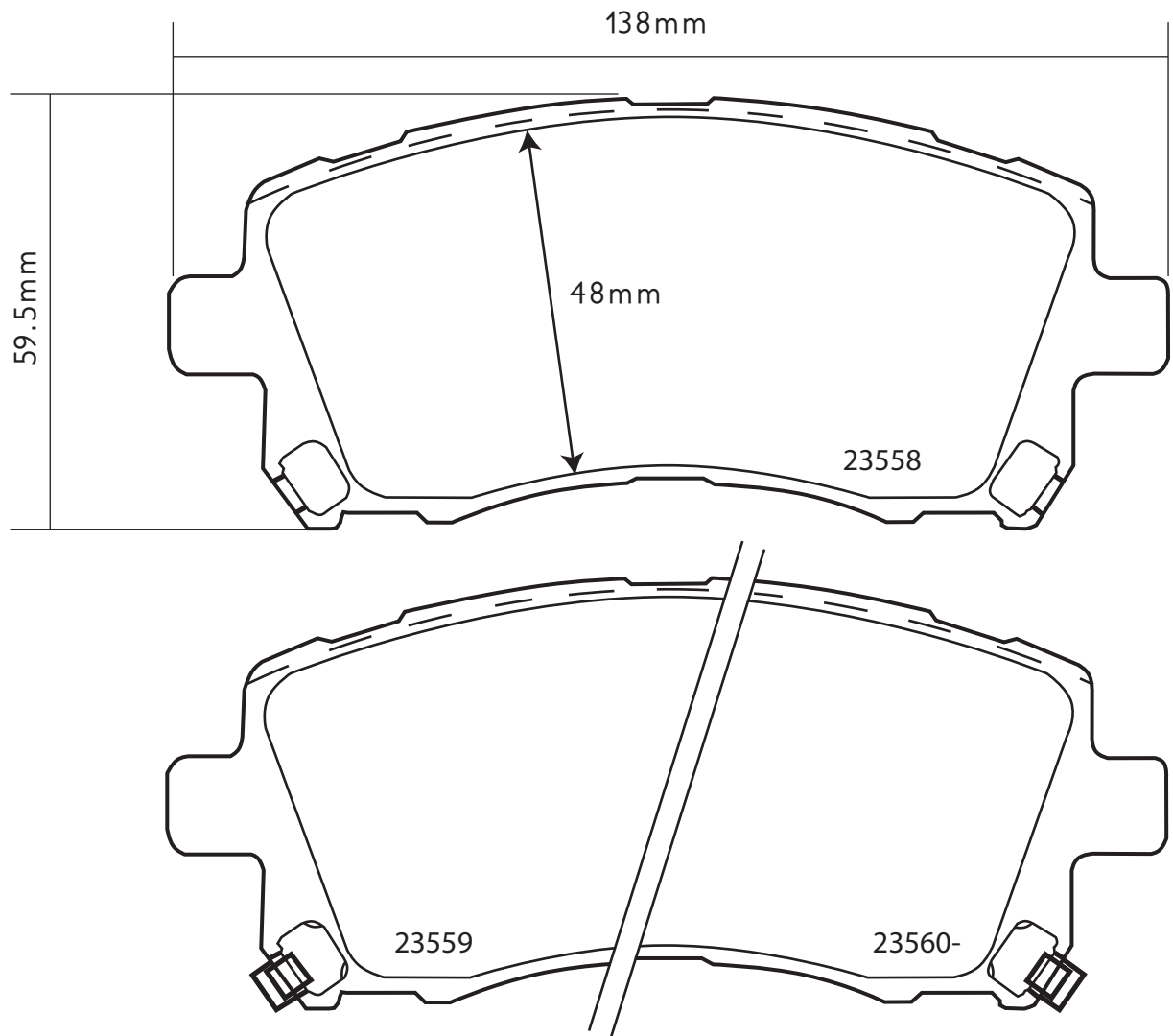
th 15.3mm



th 16.7mm

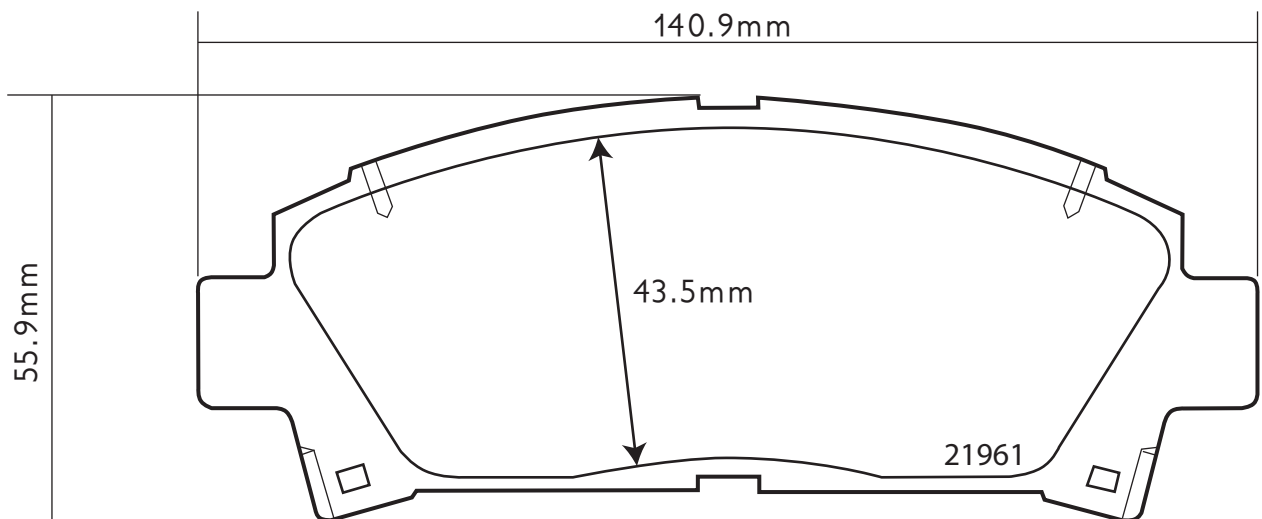


th 17mm

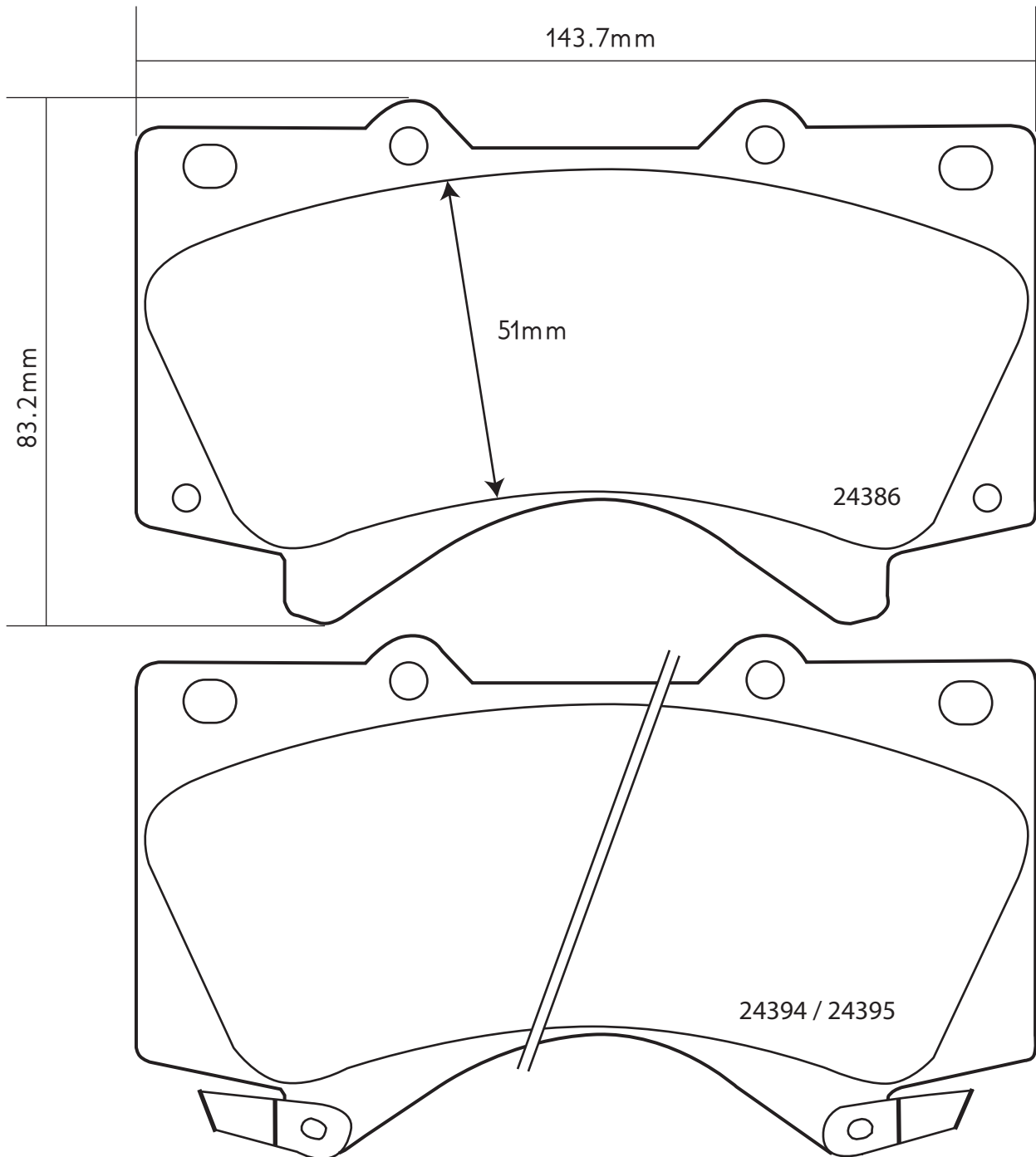


07.B314.24

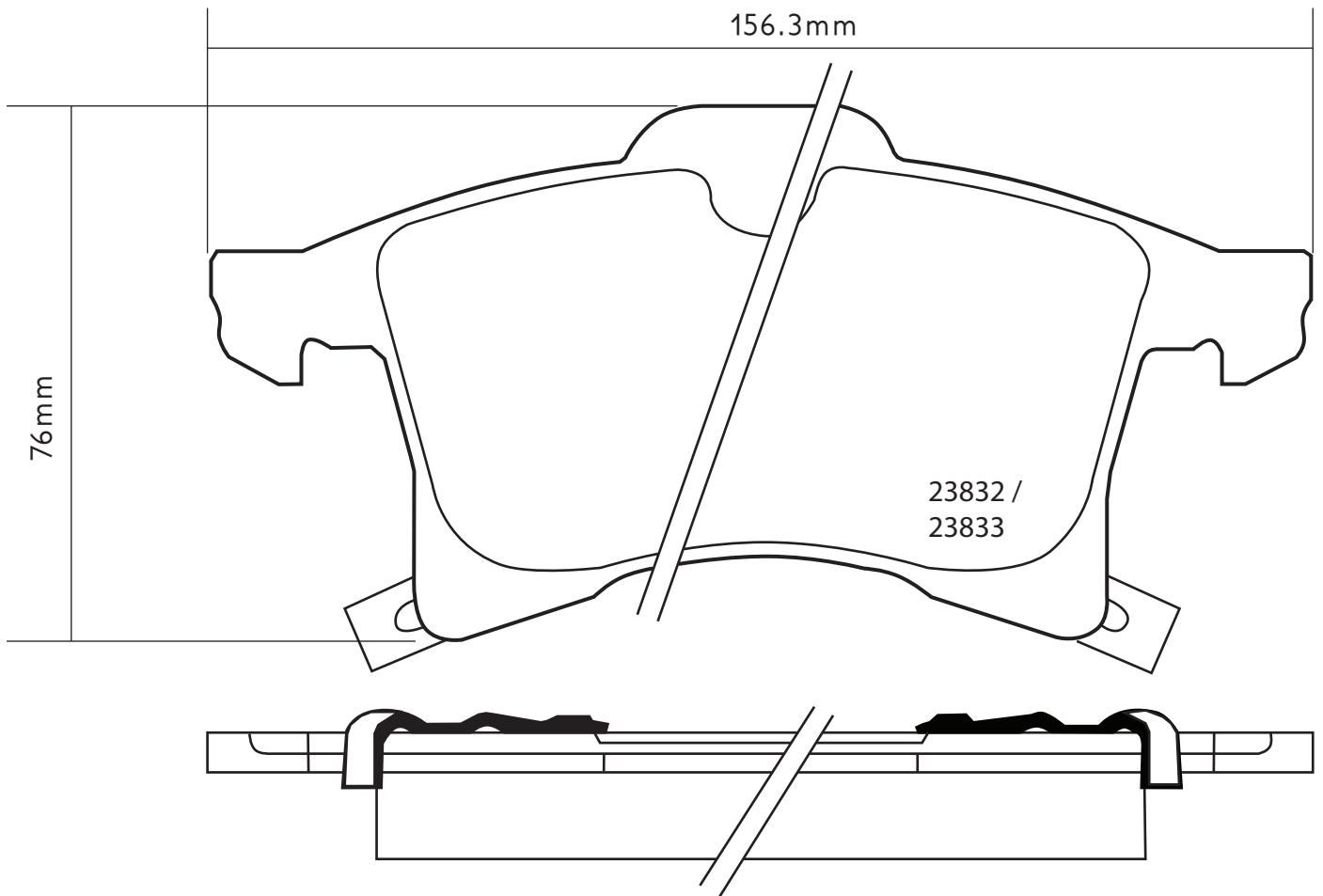
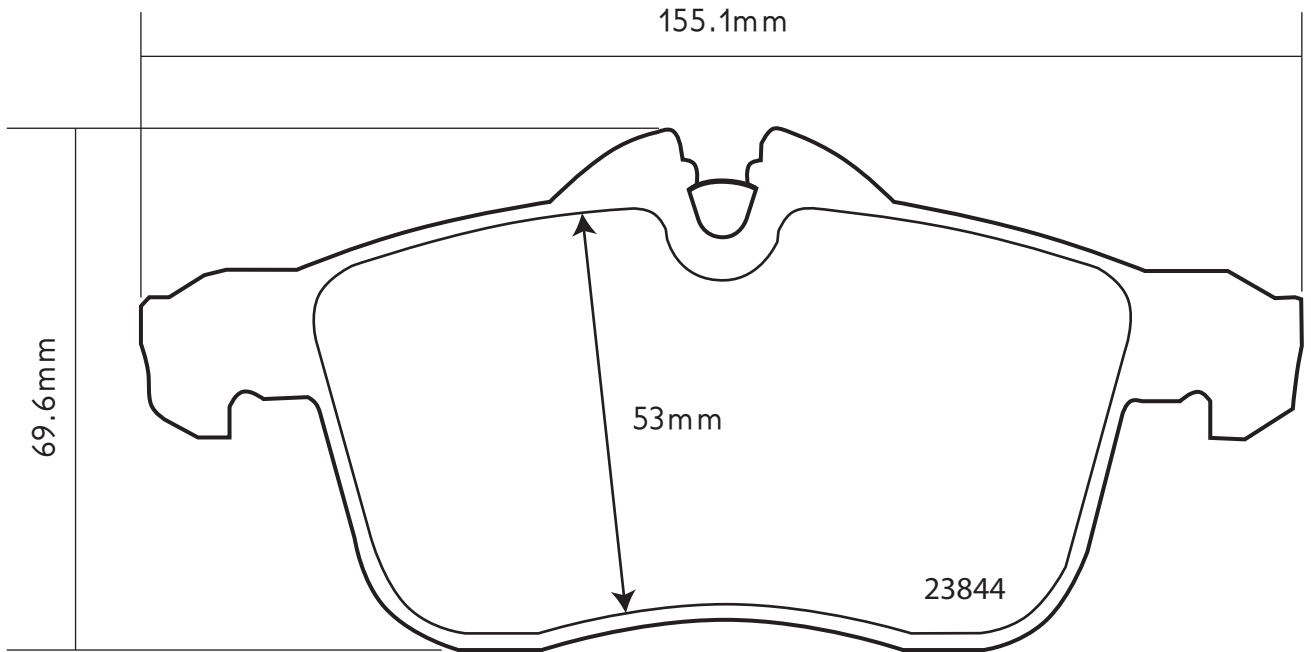
th 15mm



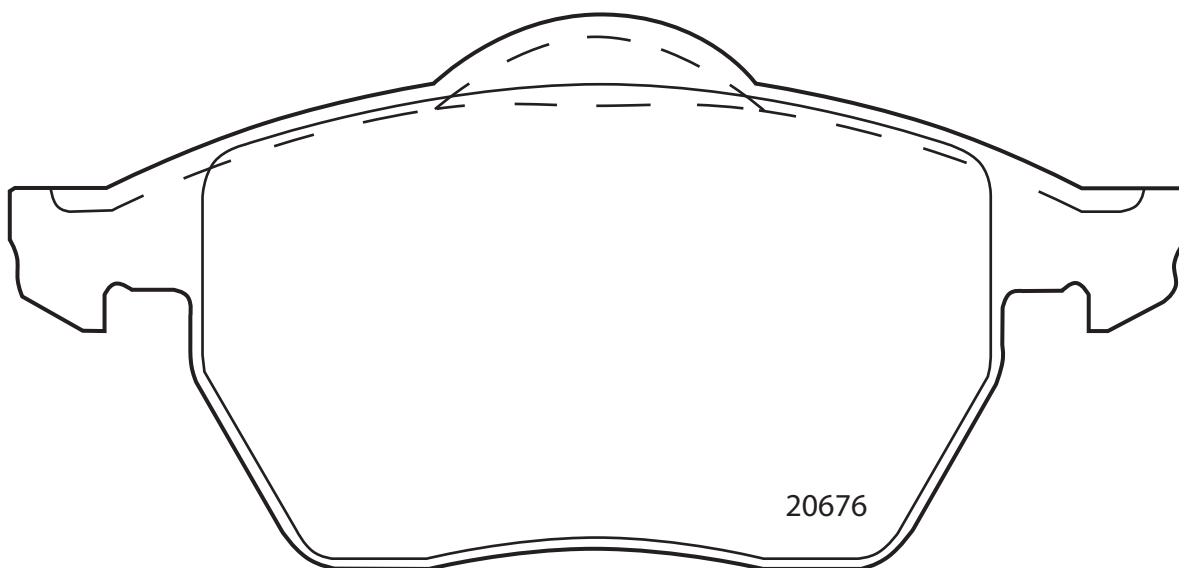
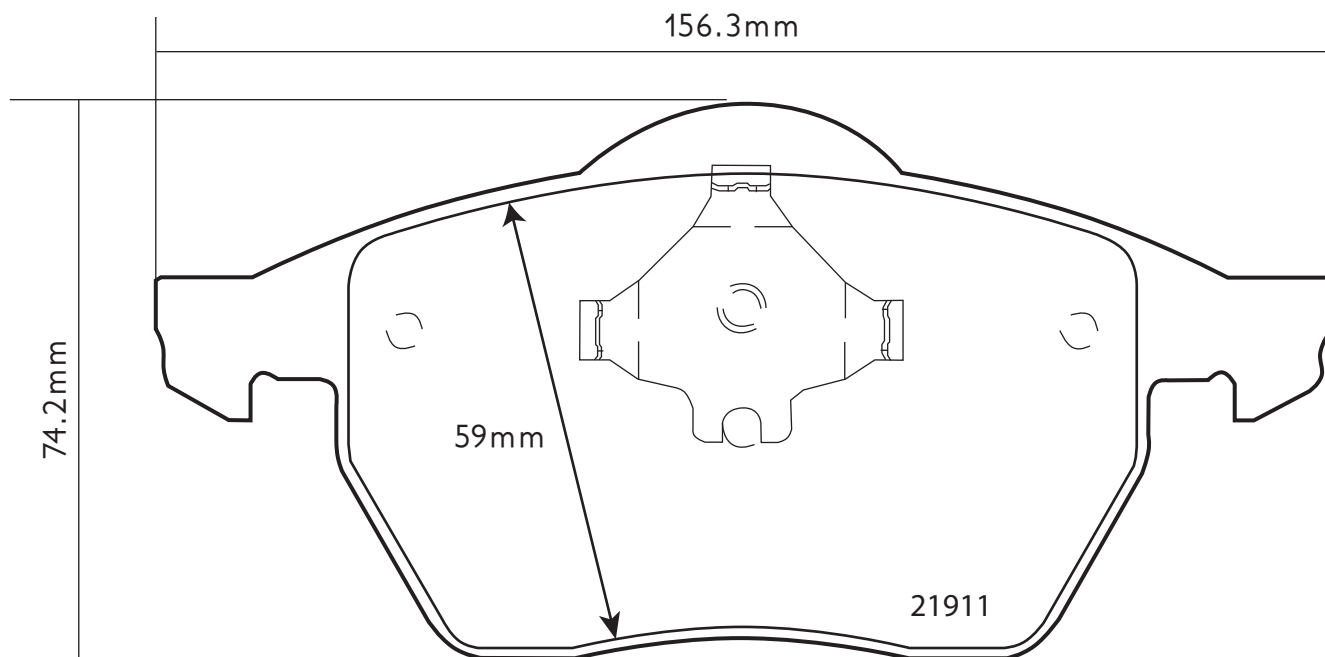
th 17.9mm



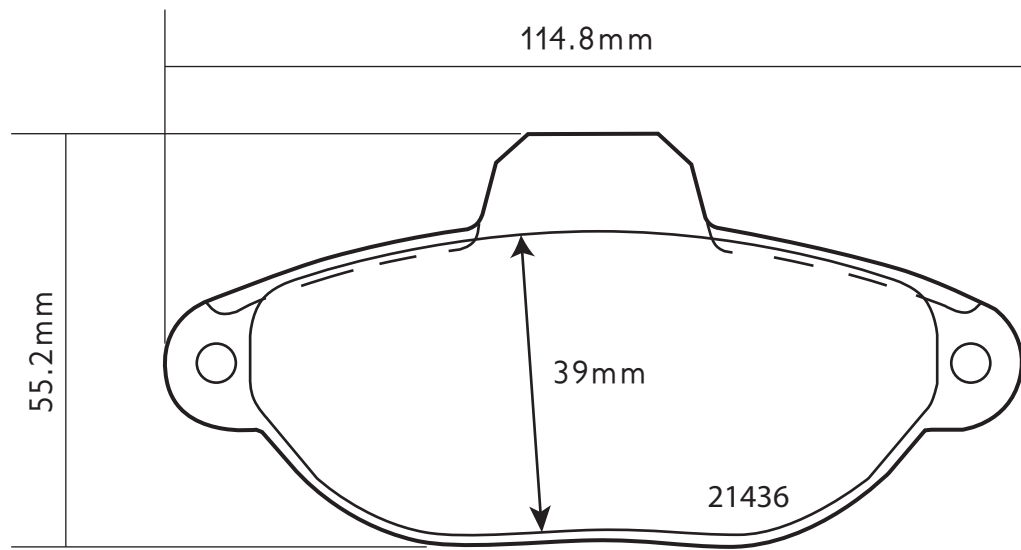
th 19.6mm



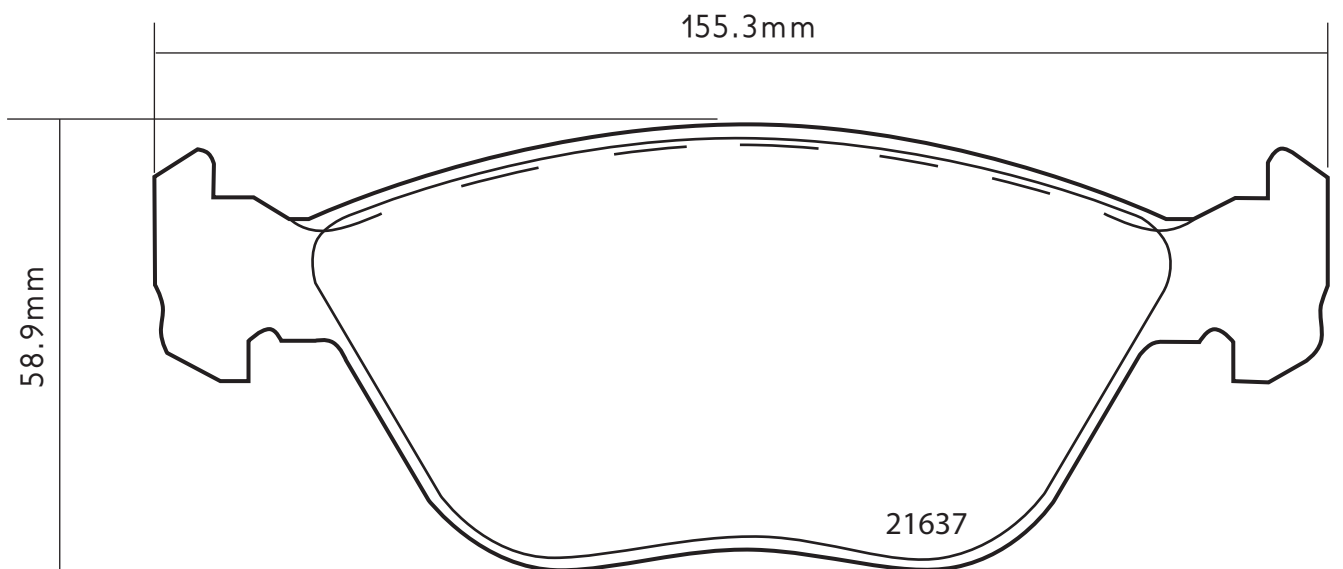
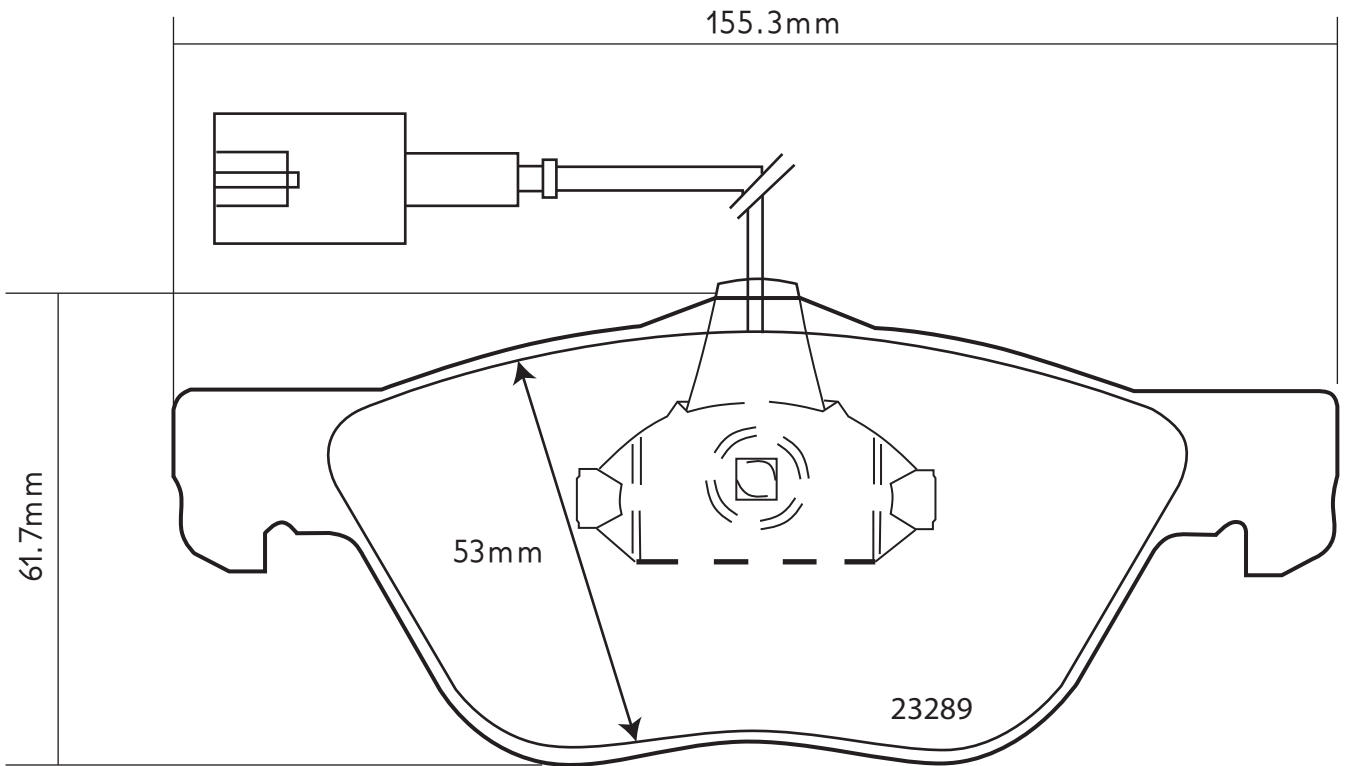
th 19.3mm



th 17mm

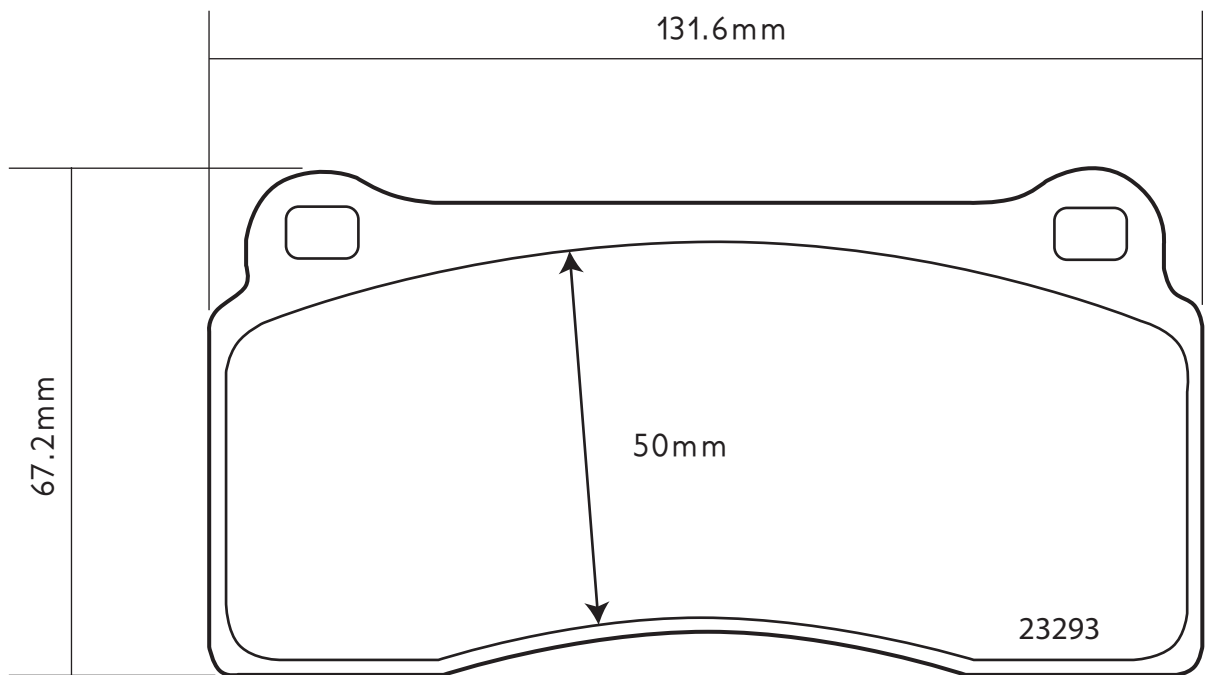


th 18mm

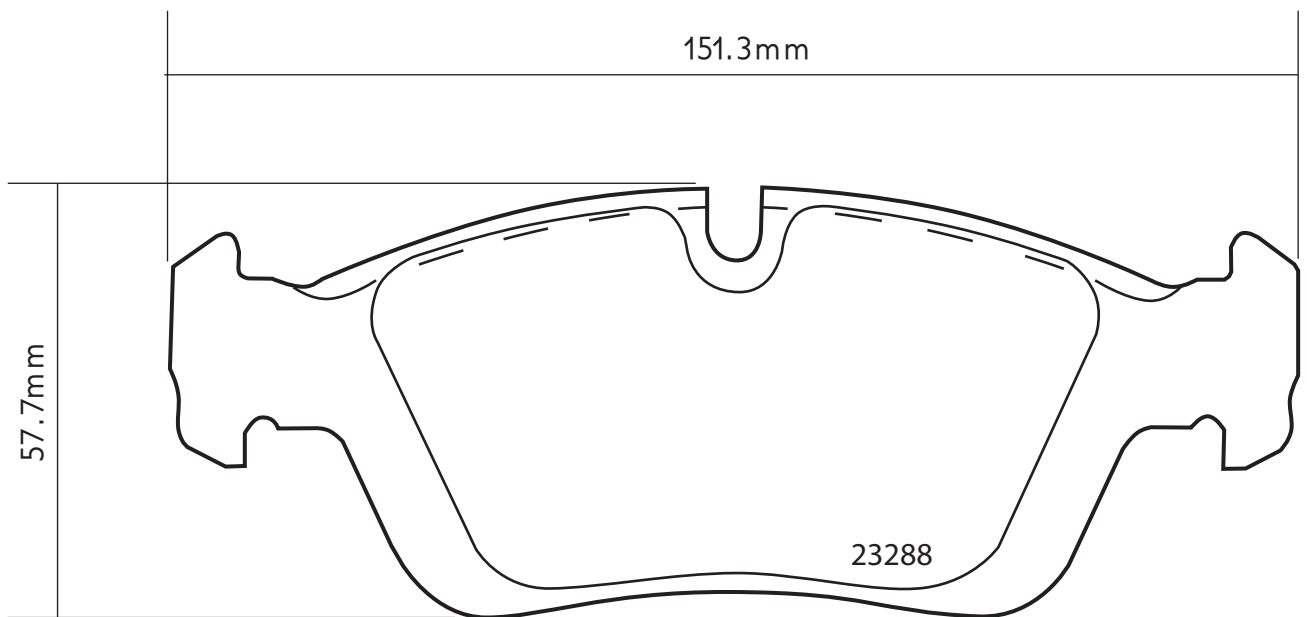
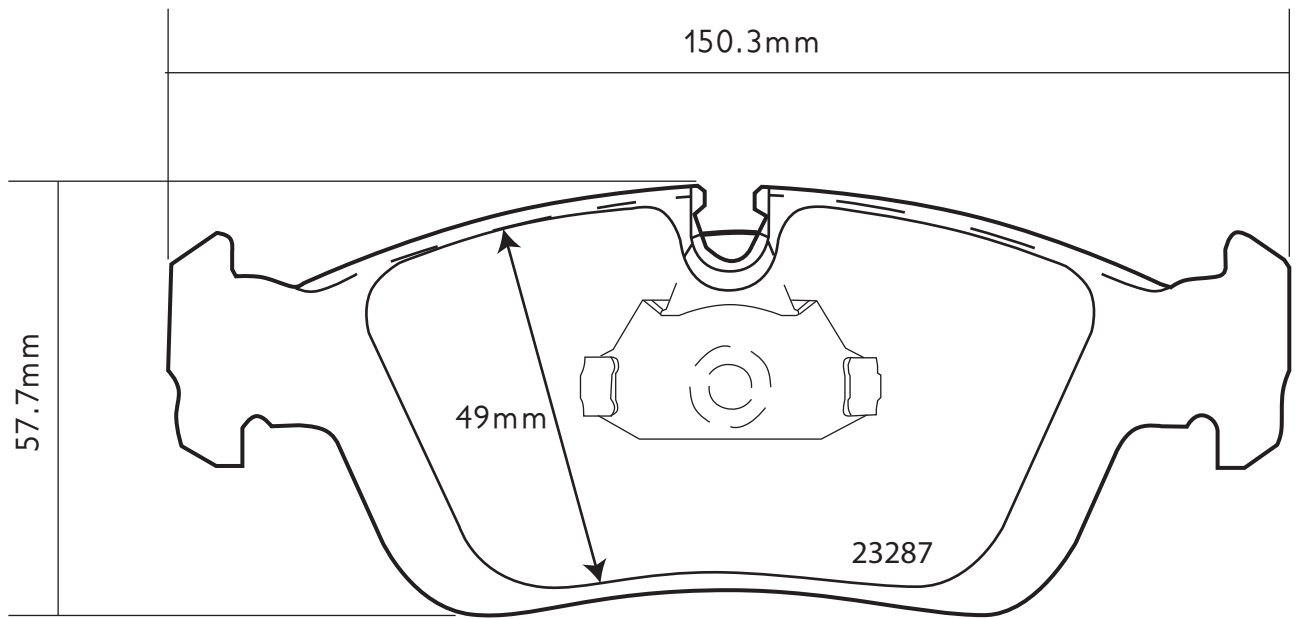


07.B314.30

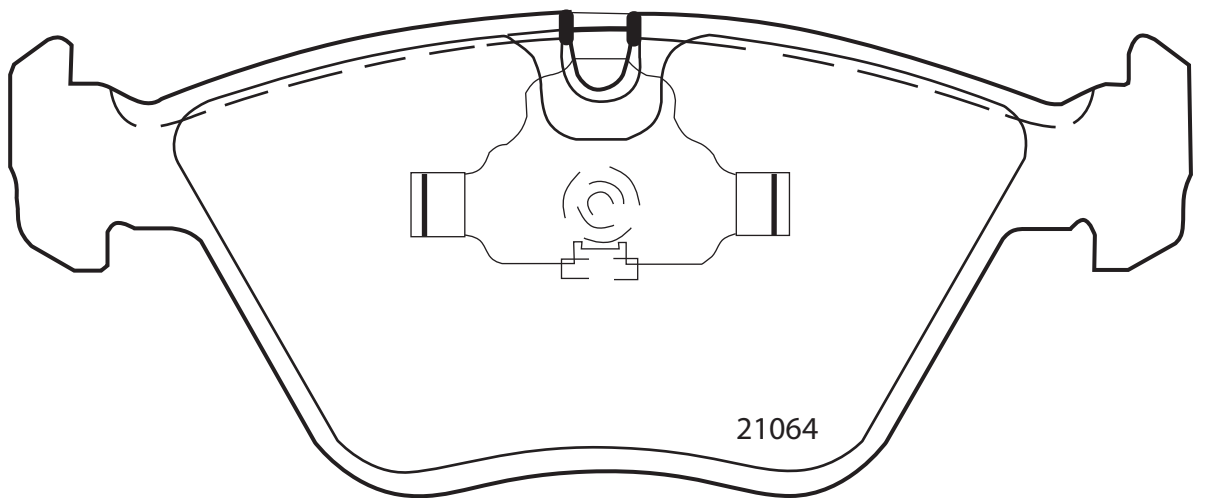
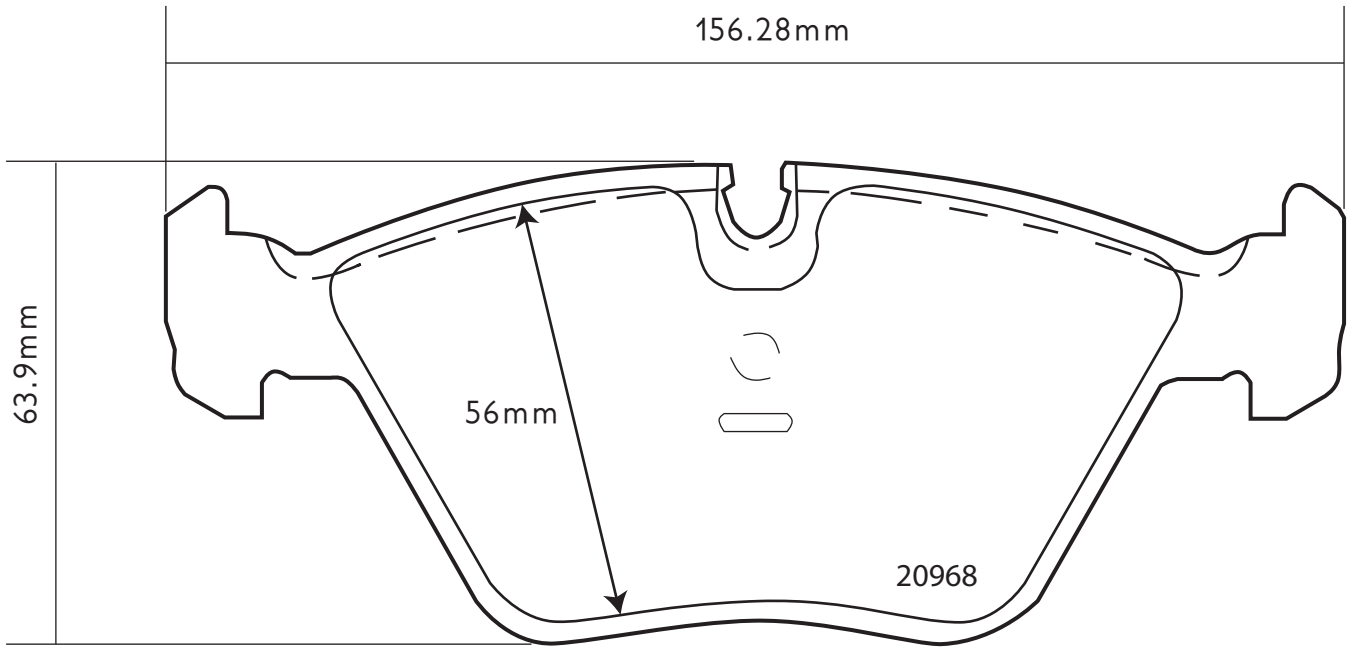
th 18mm



th 17.3mm

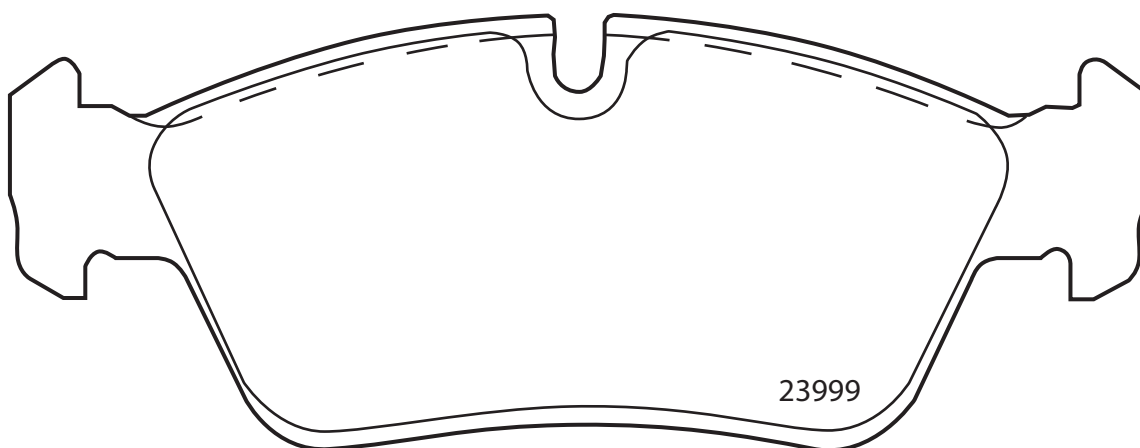
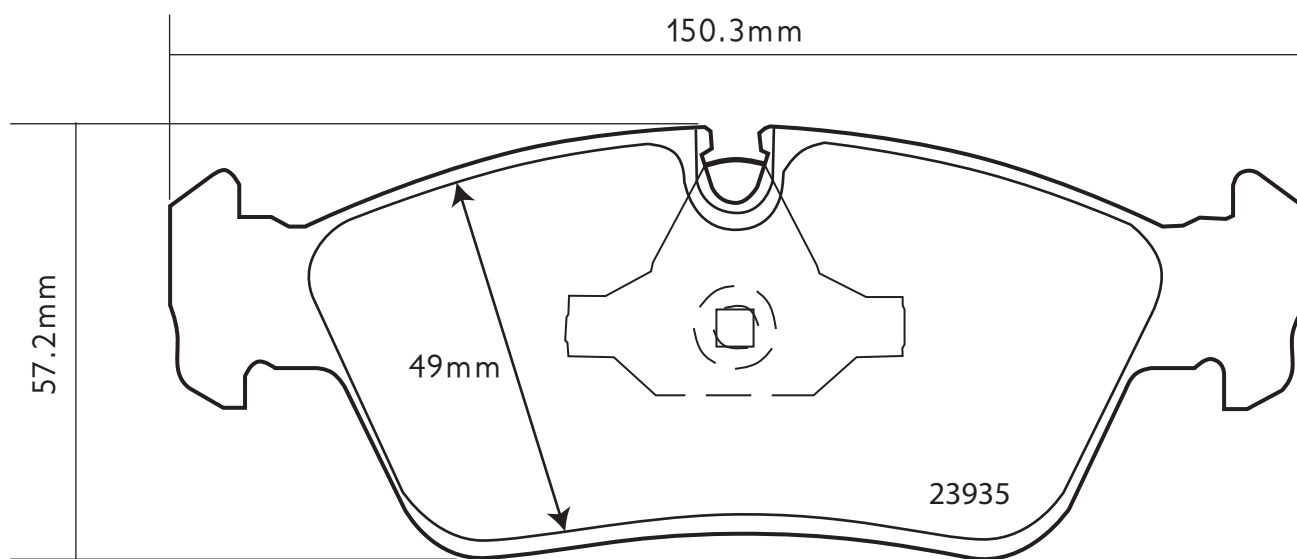


th 20.3mm

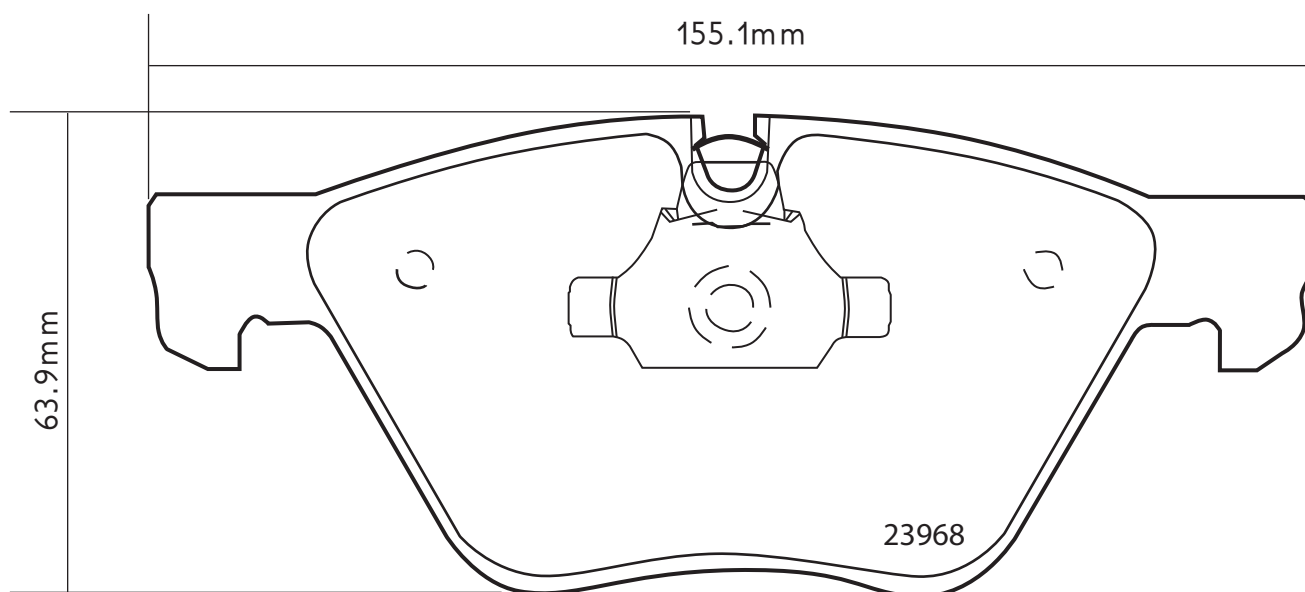
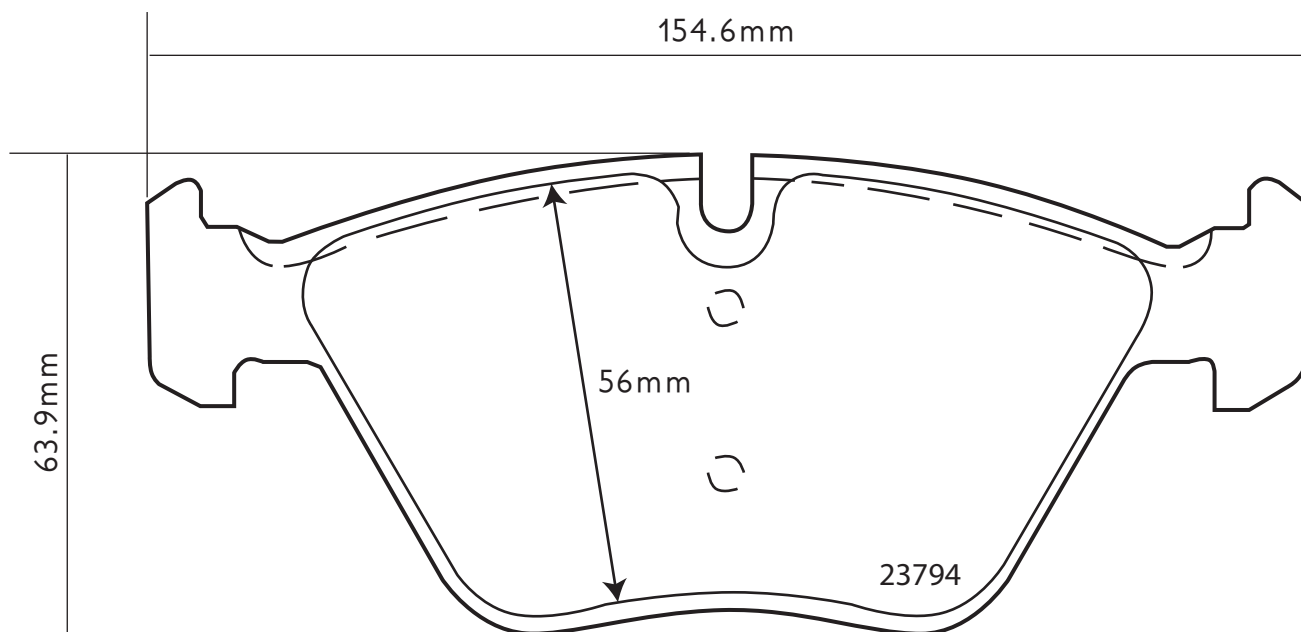


07.B314.33

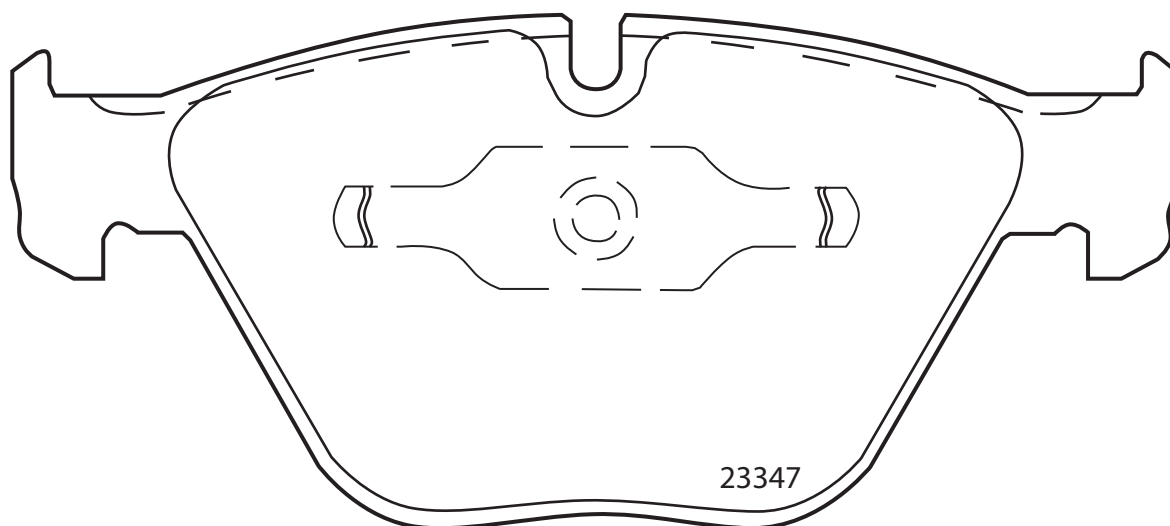
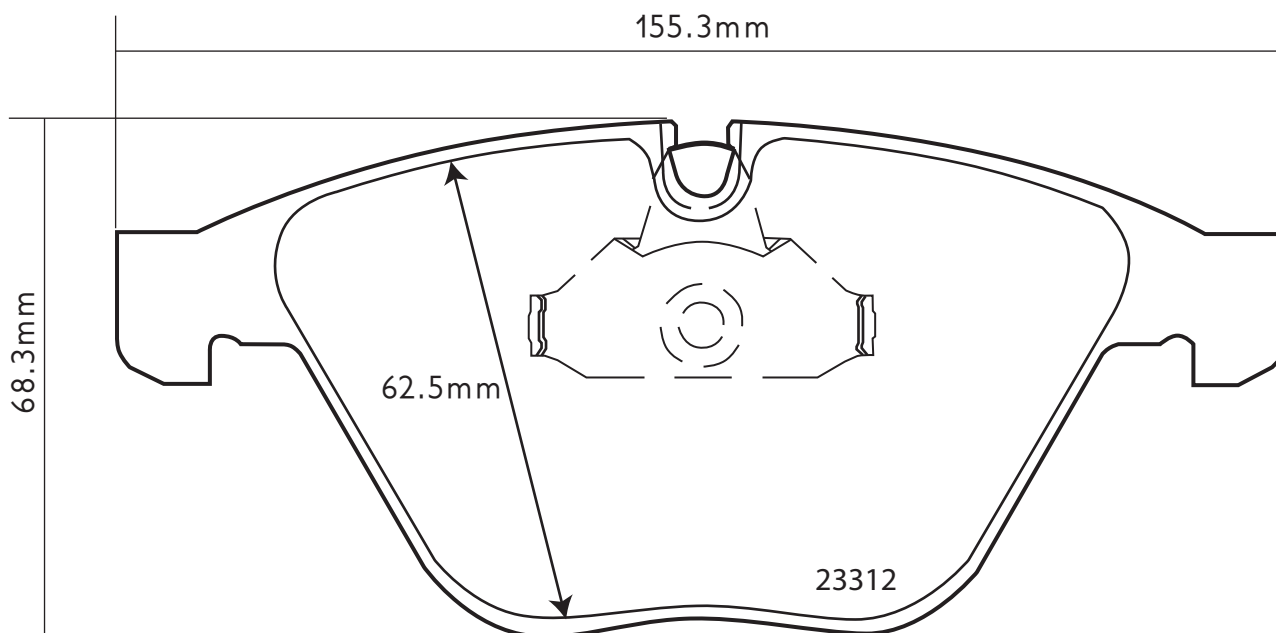
th 17.6mm



th 19.8mm

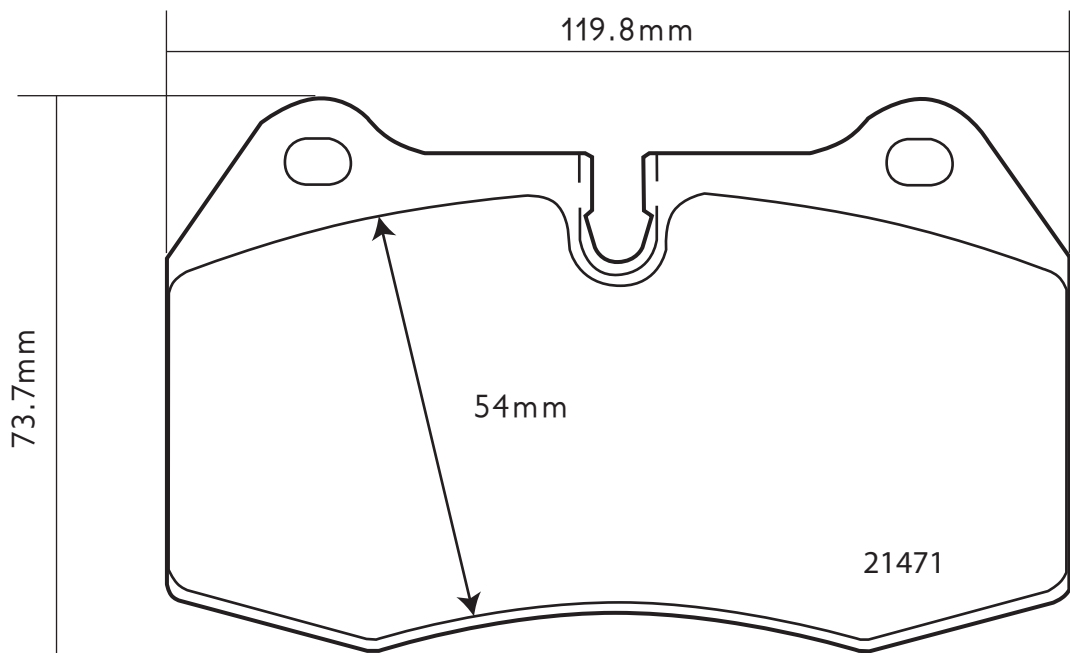


th 20.3mm

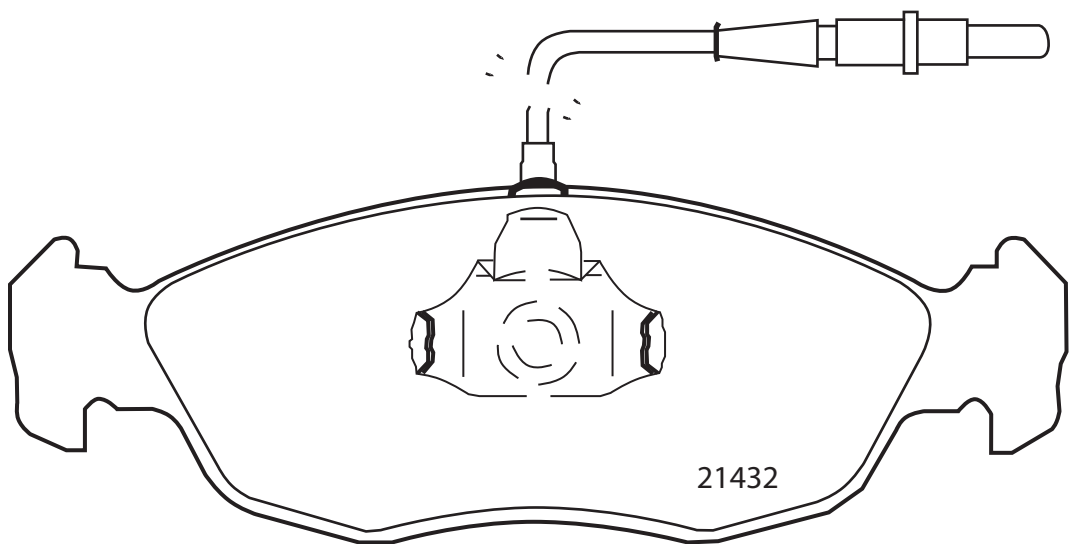
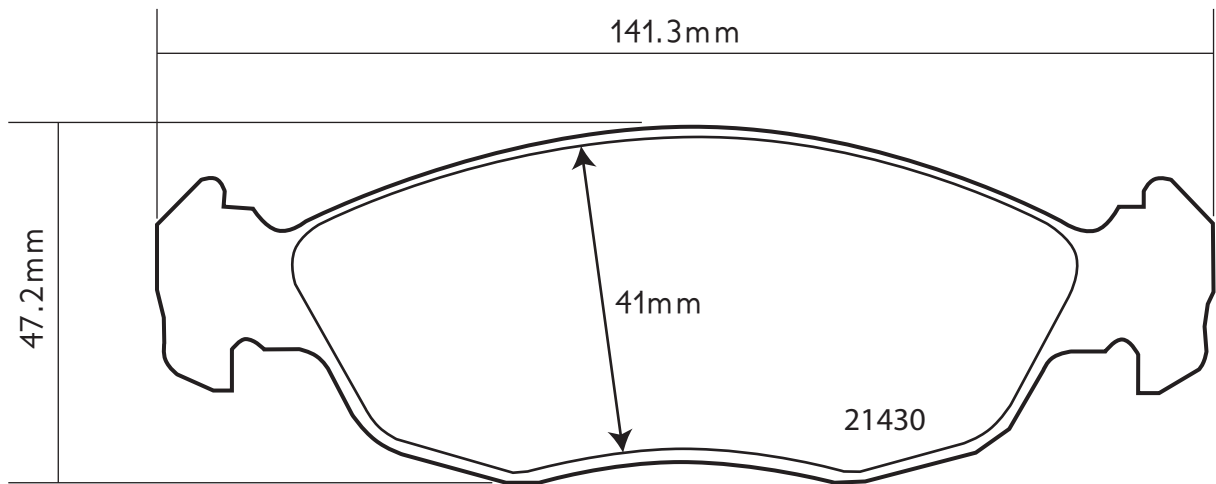


07.B314.36

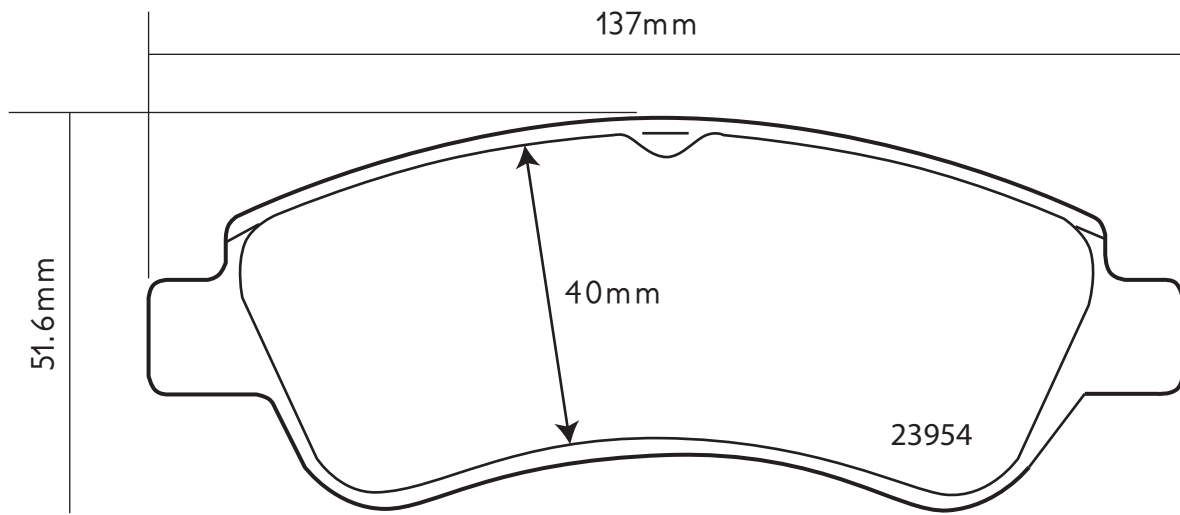
th 20.3mm



th 17mm

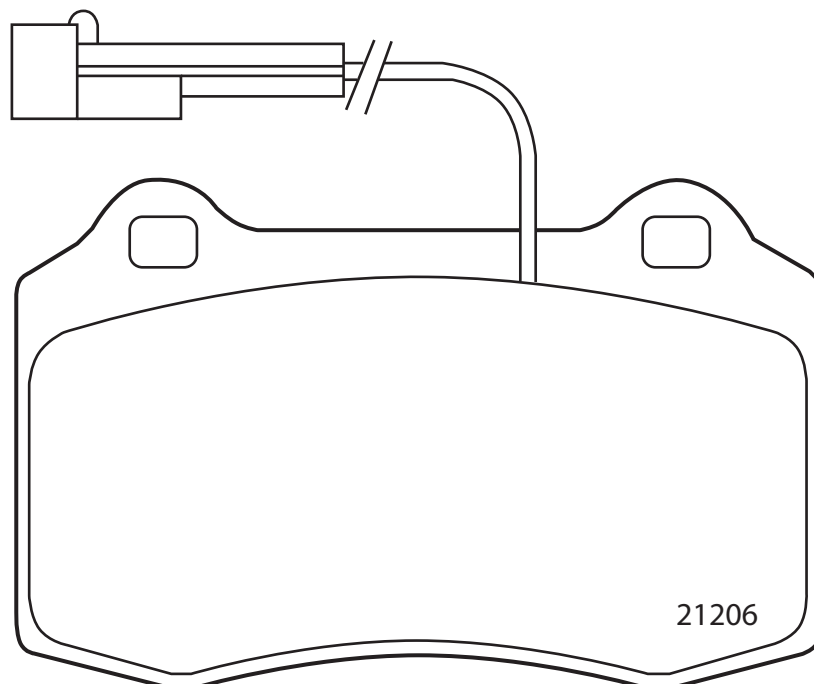
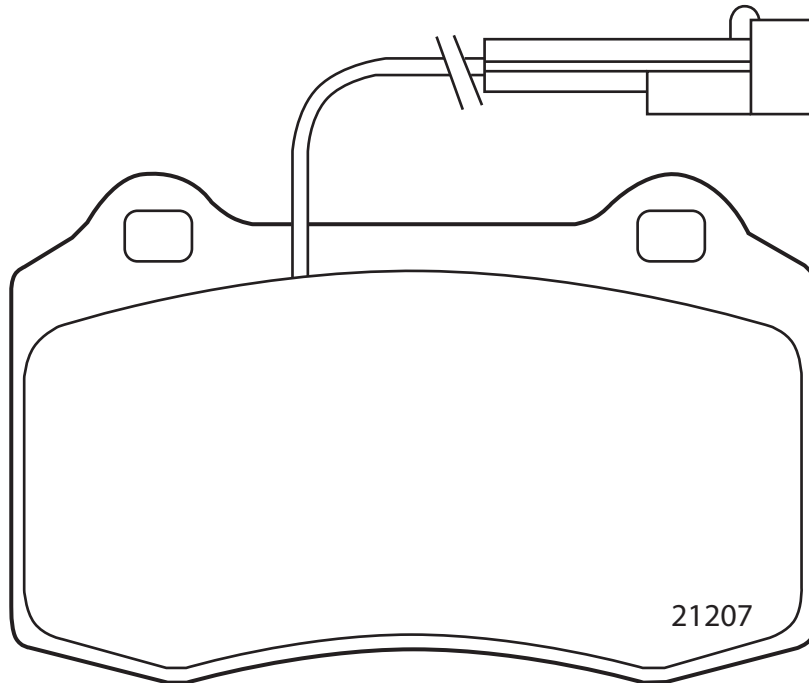
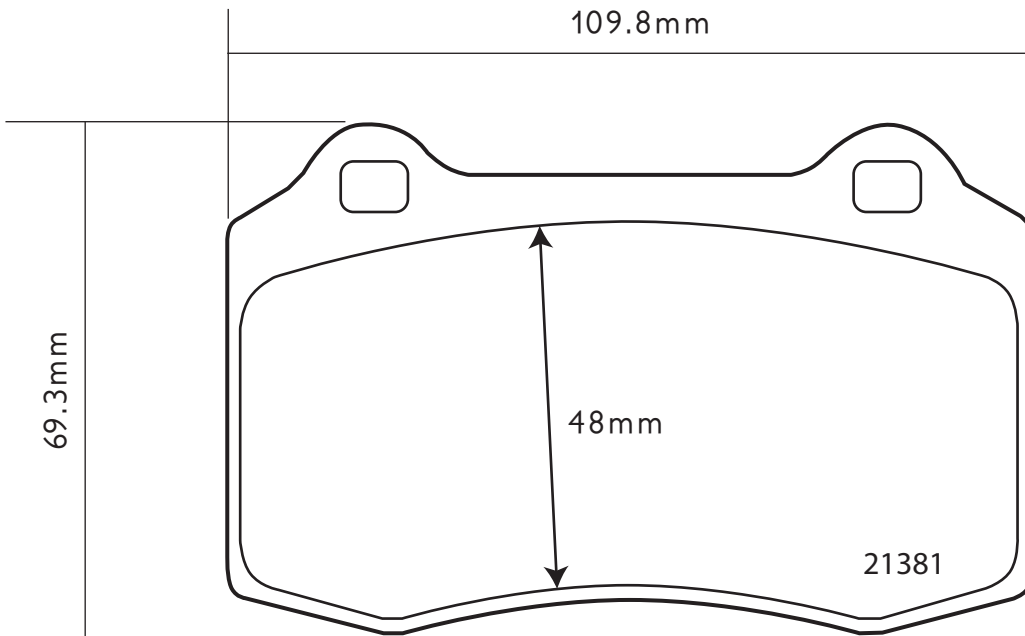


th 19mm

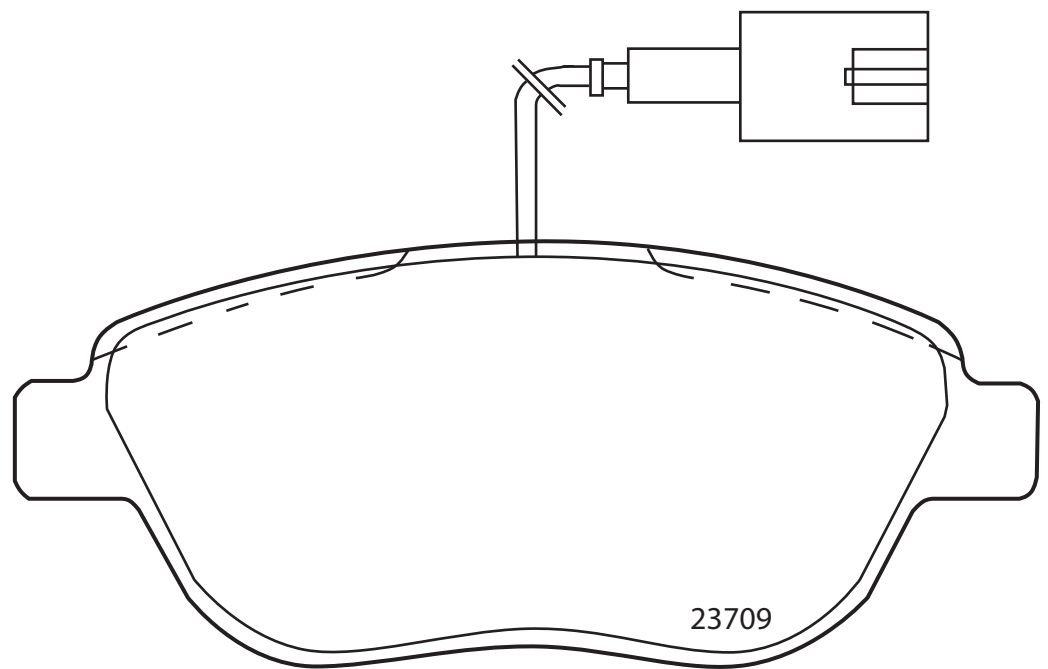
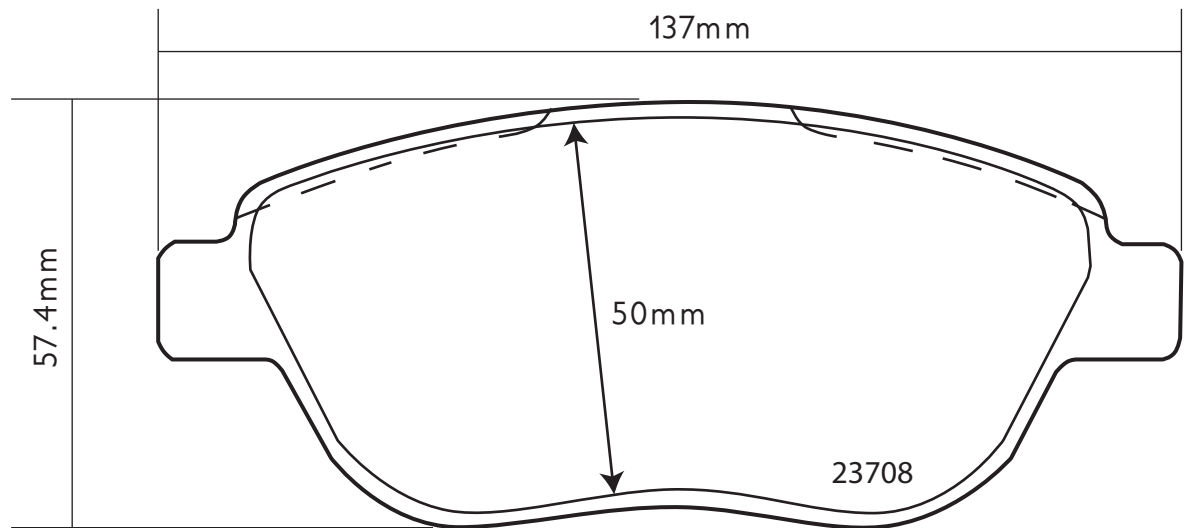


07.B314.39

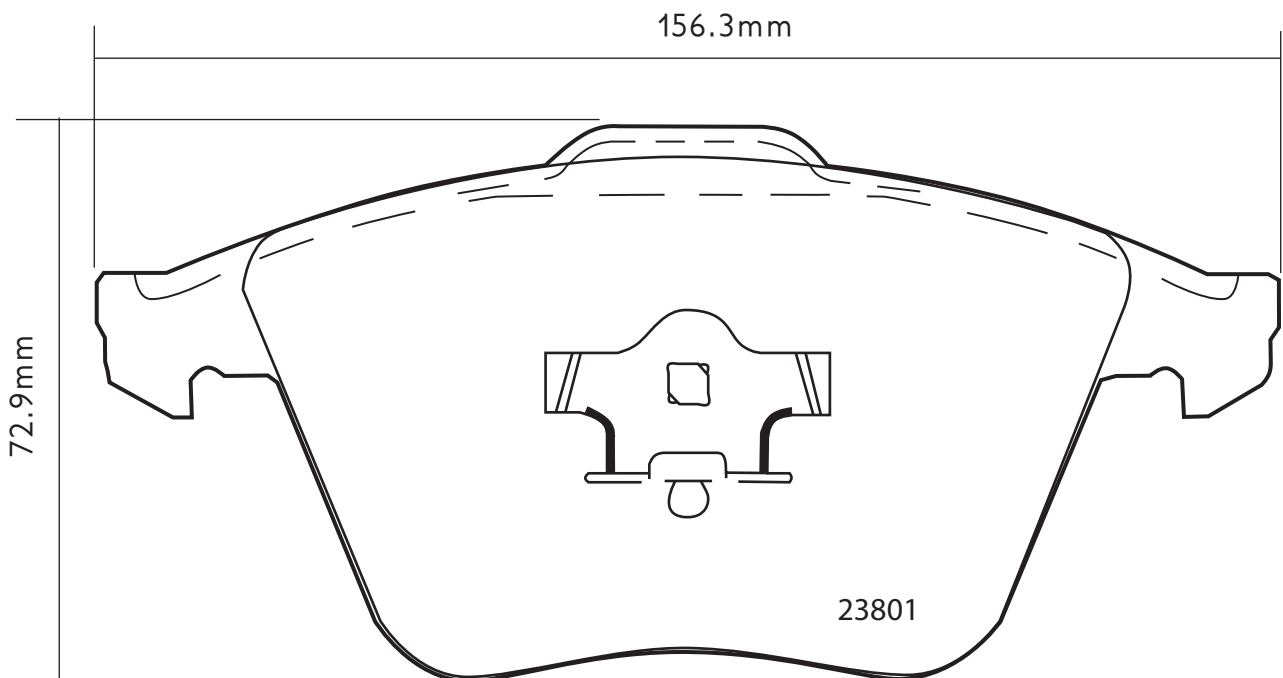
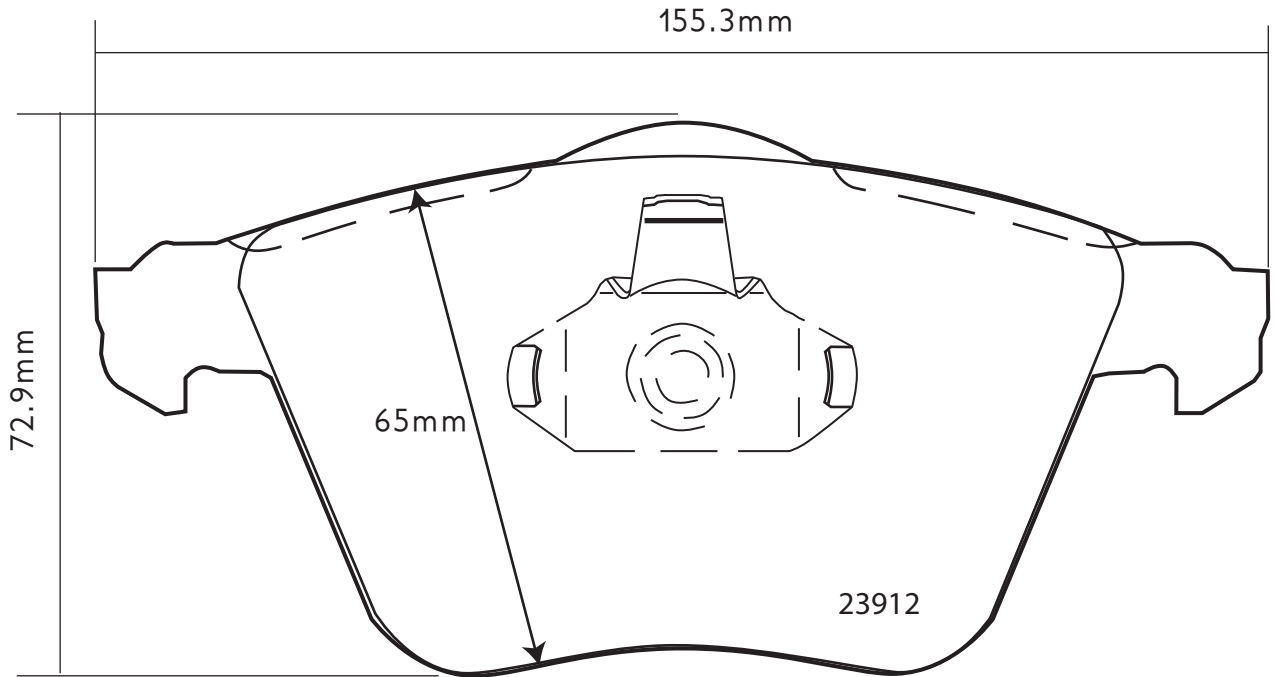
th 16.8mm

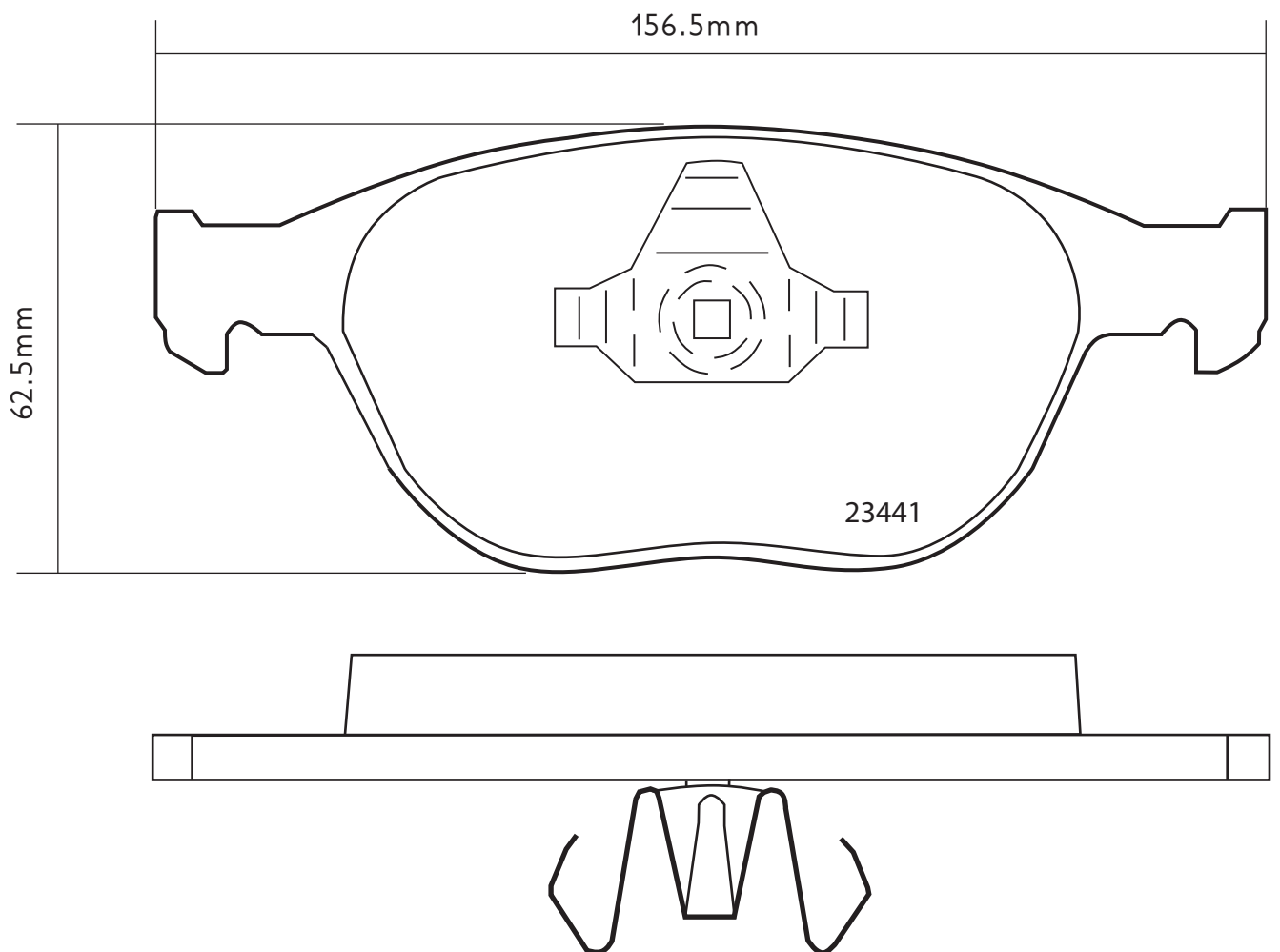
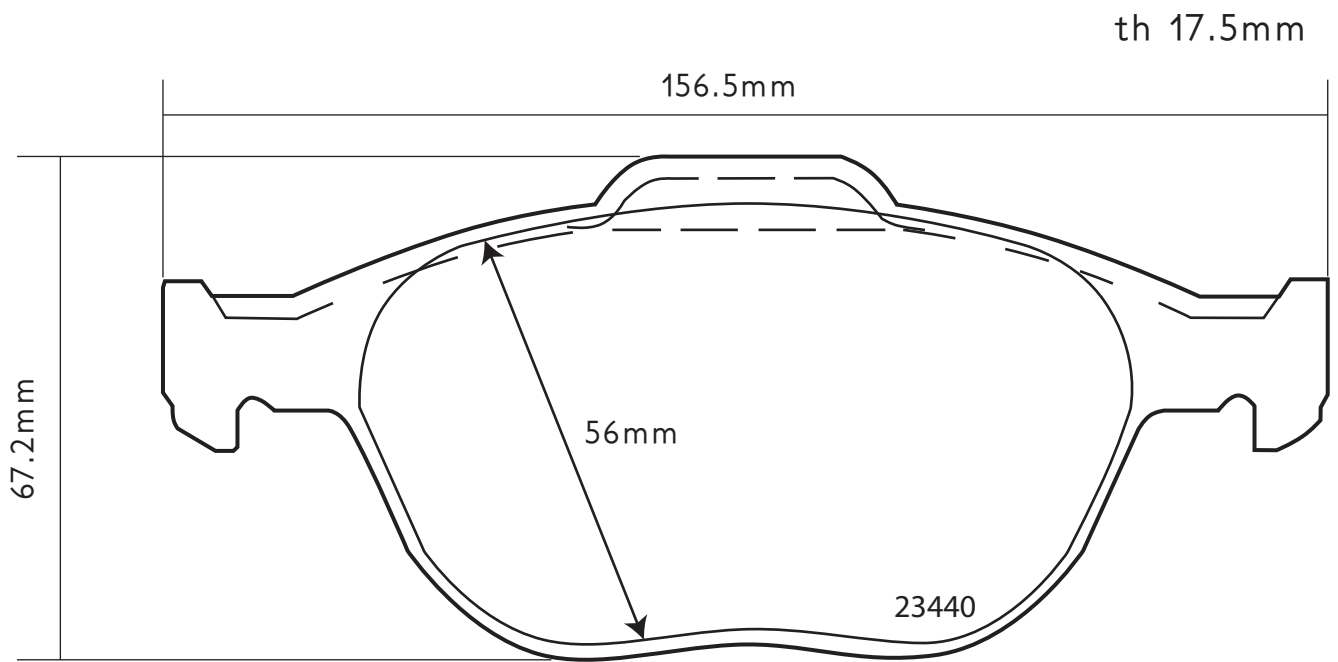


th 18.4mm

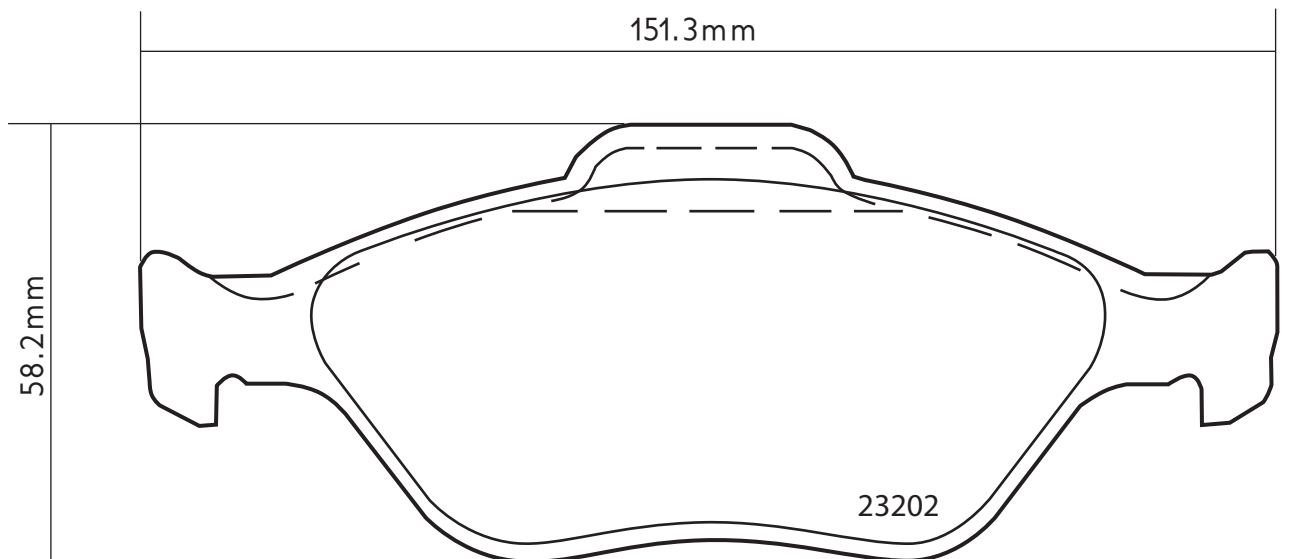
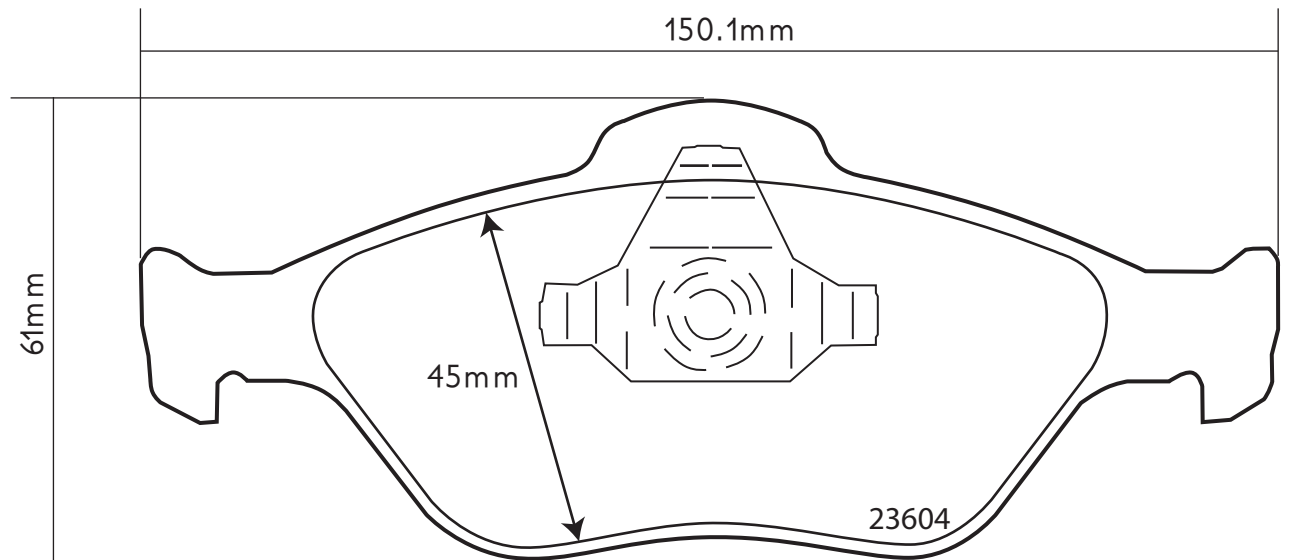


th 18.5mm

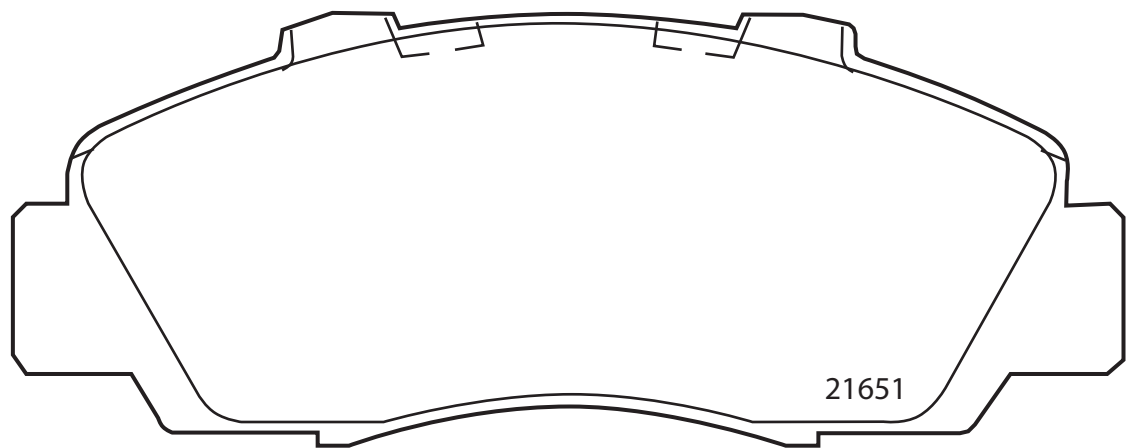
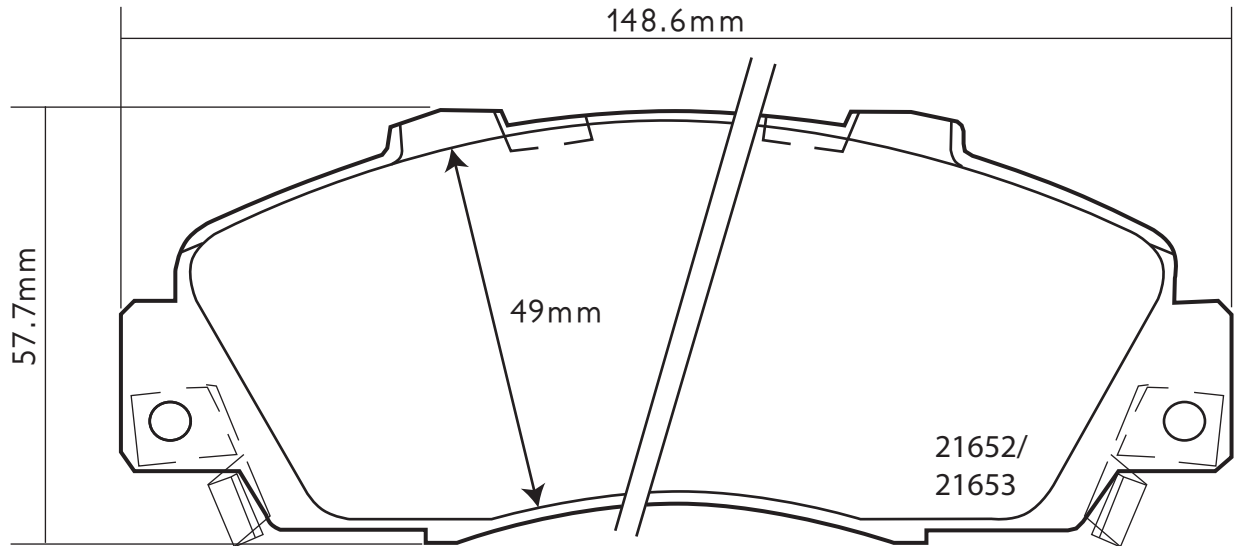




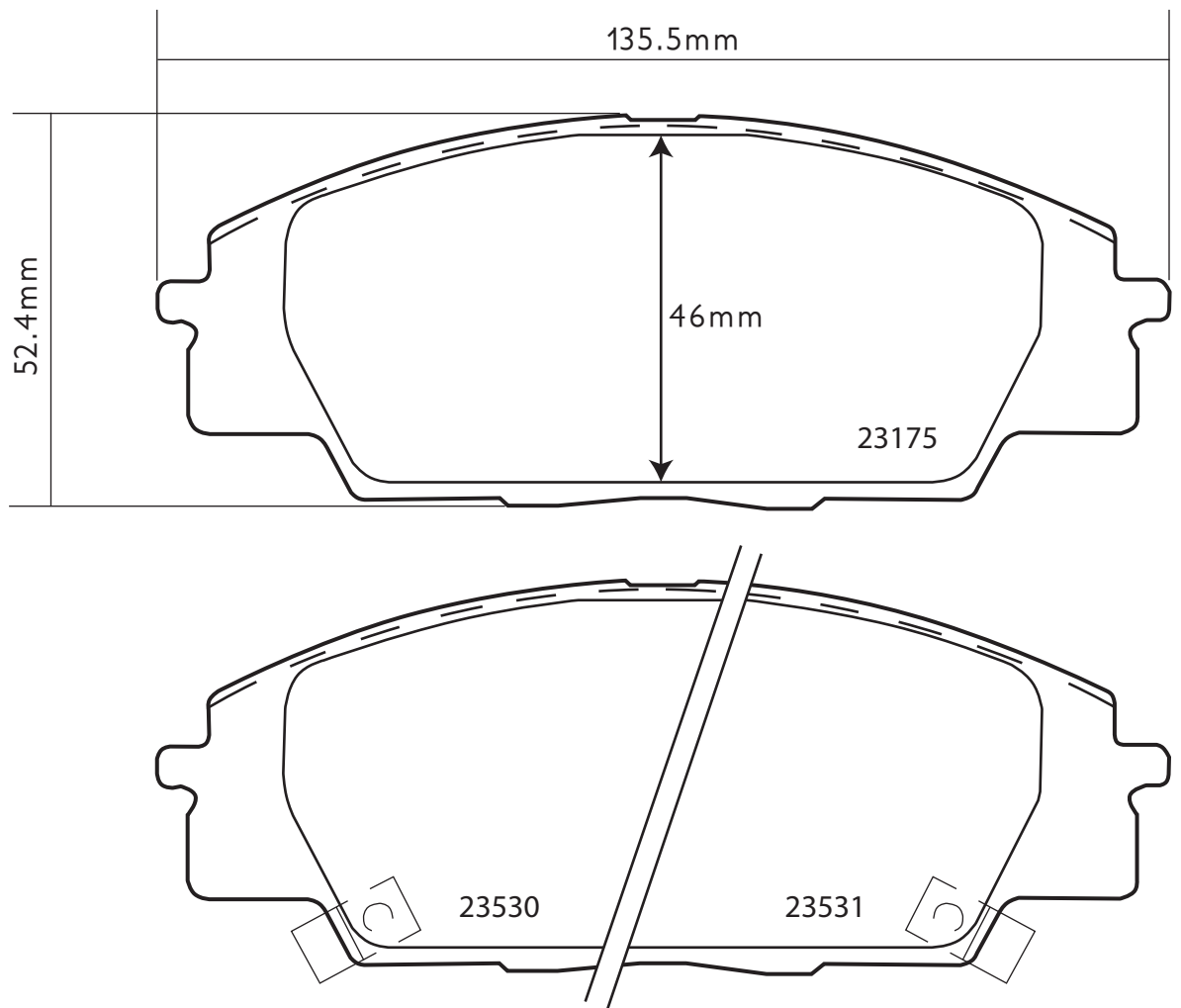
th 18mm



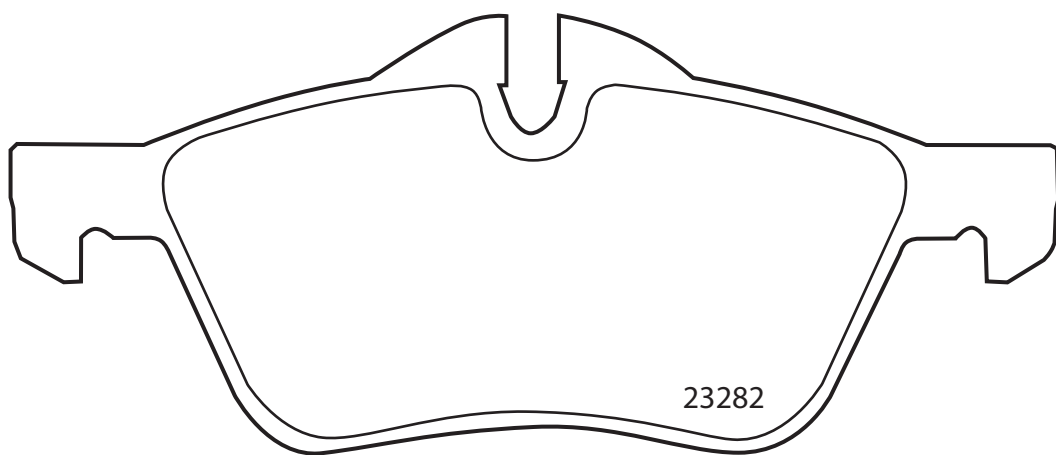
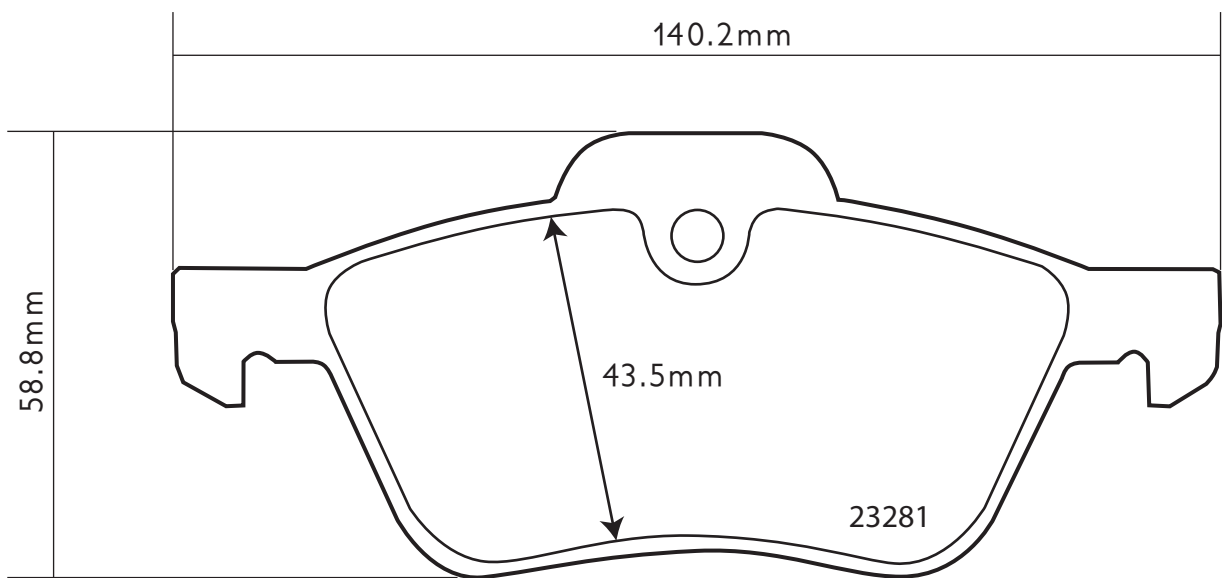
th 18mm



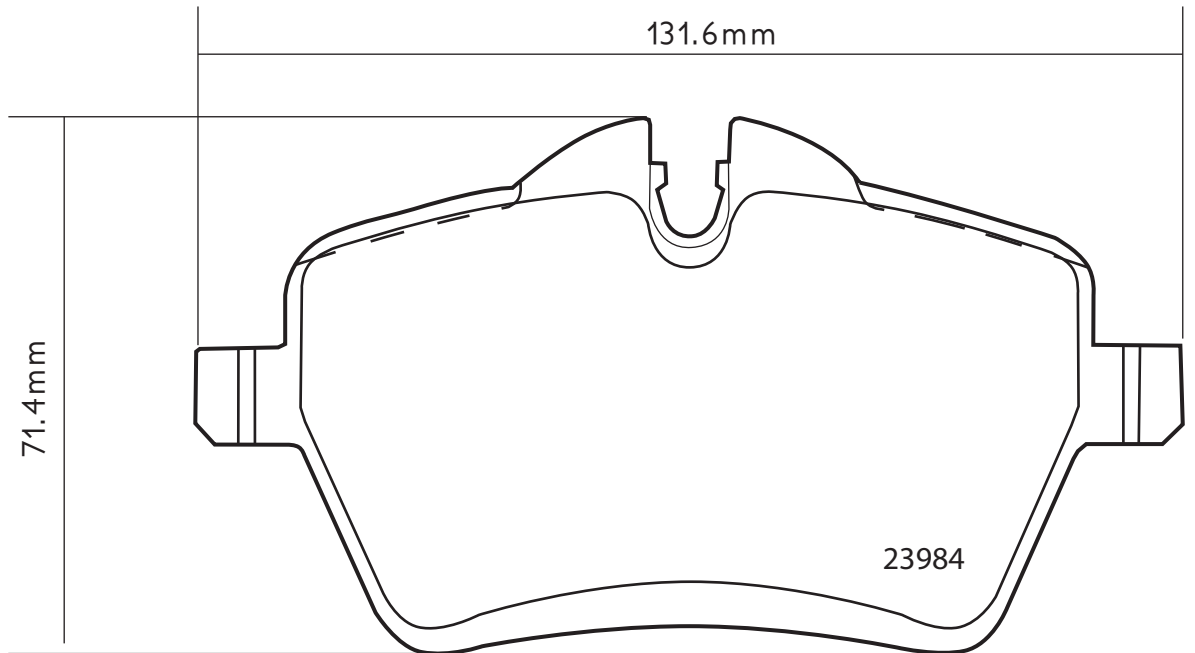
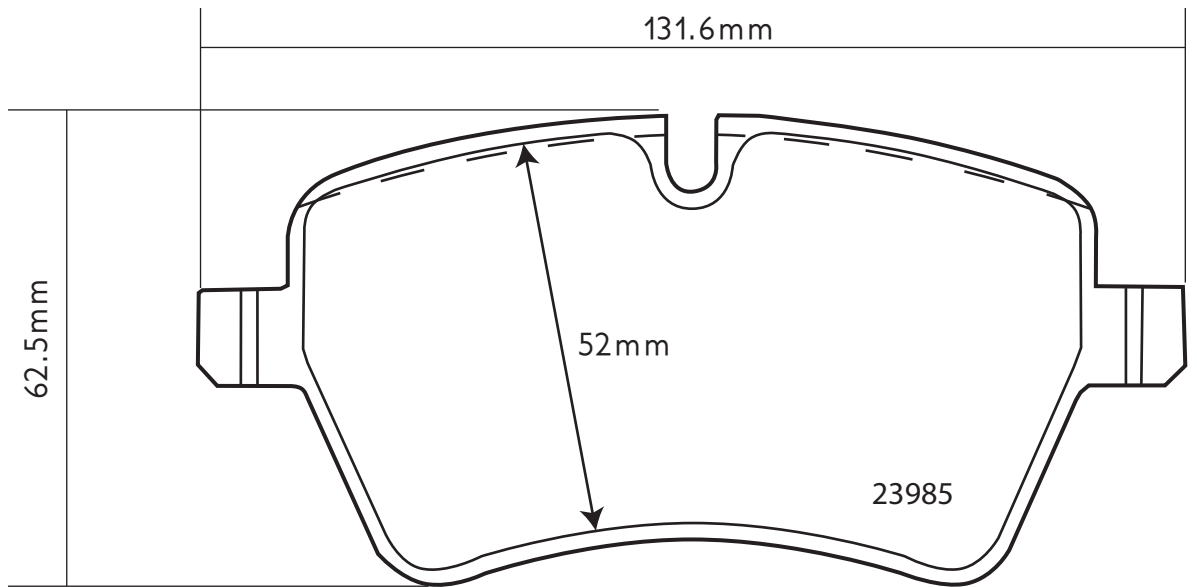
th 16mm



th 18mm

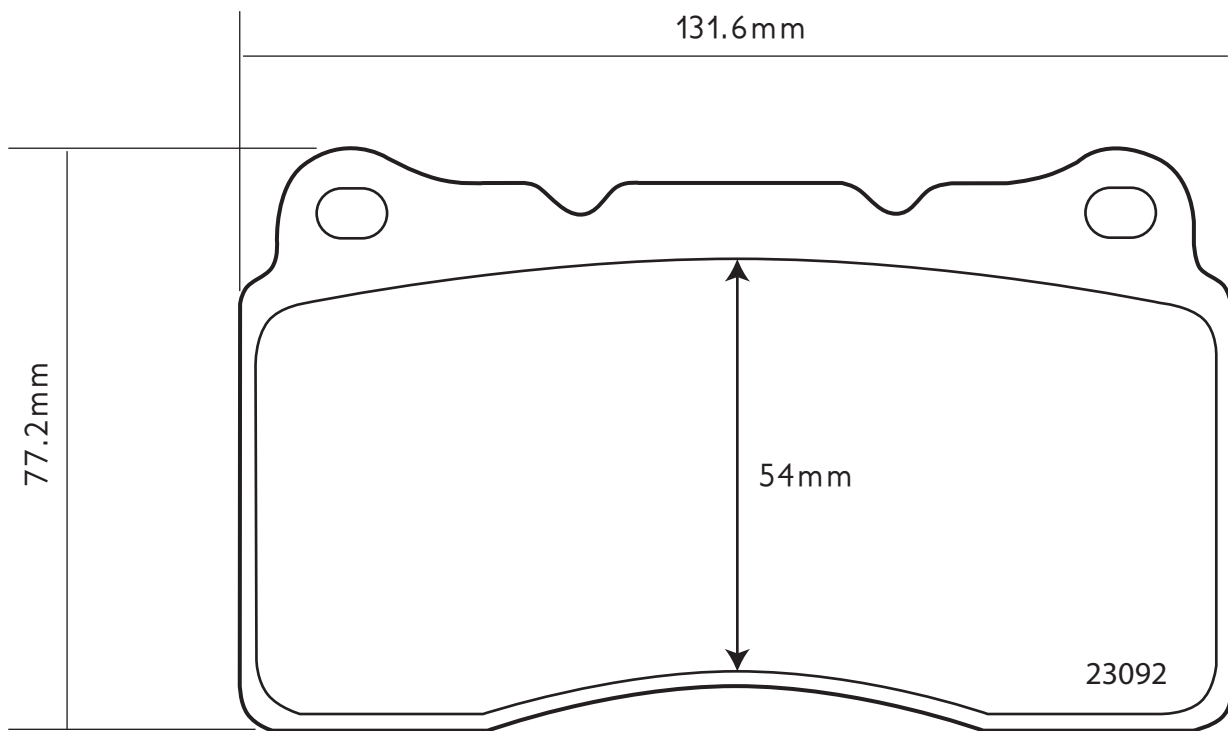


th 17.6mm

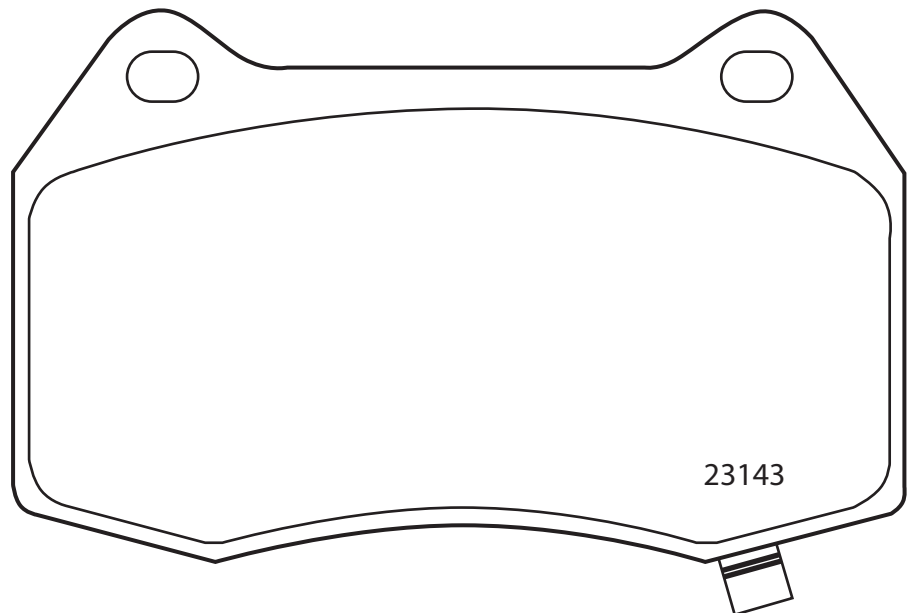
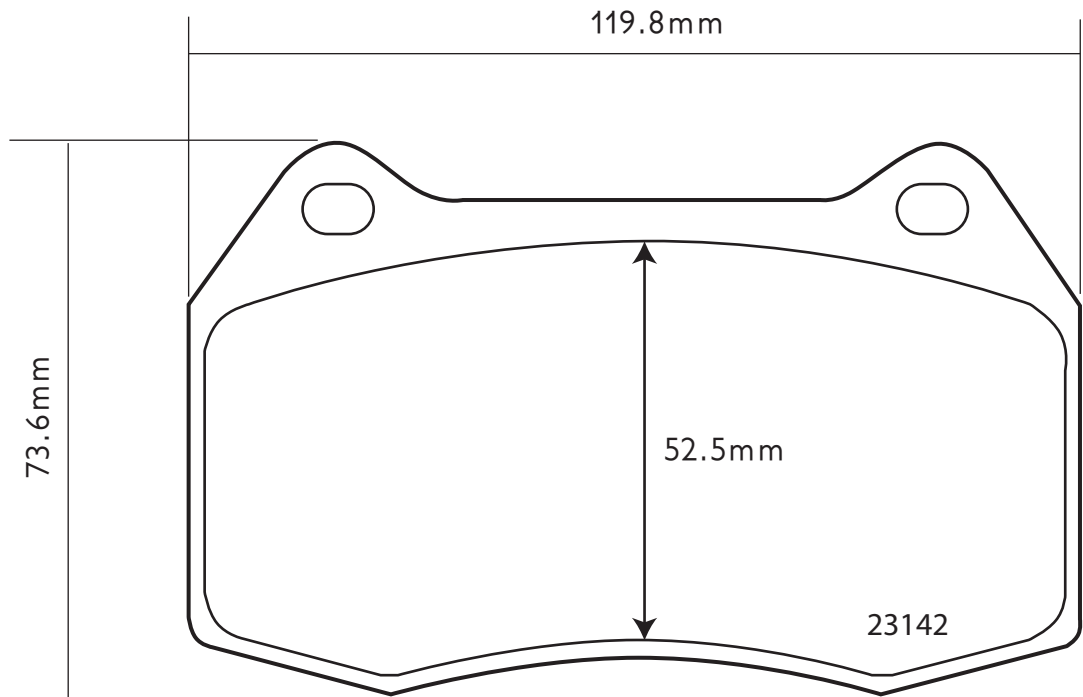


07.B314.48

th 16mm

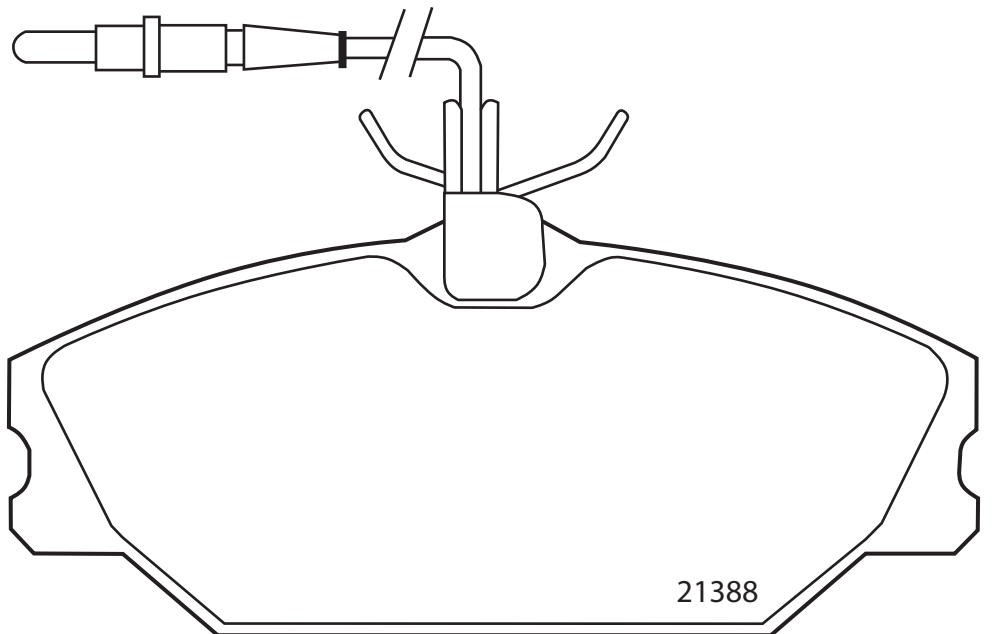
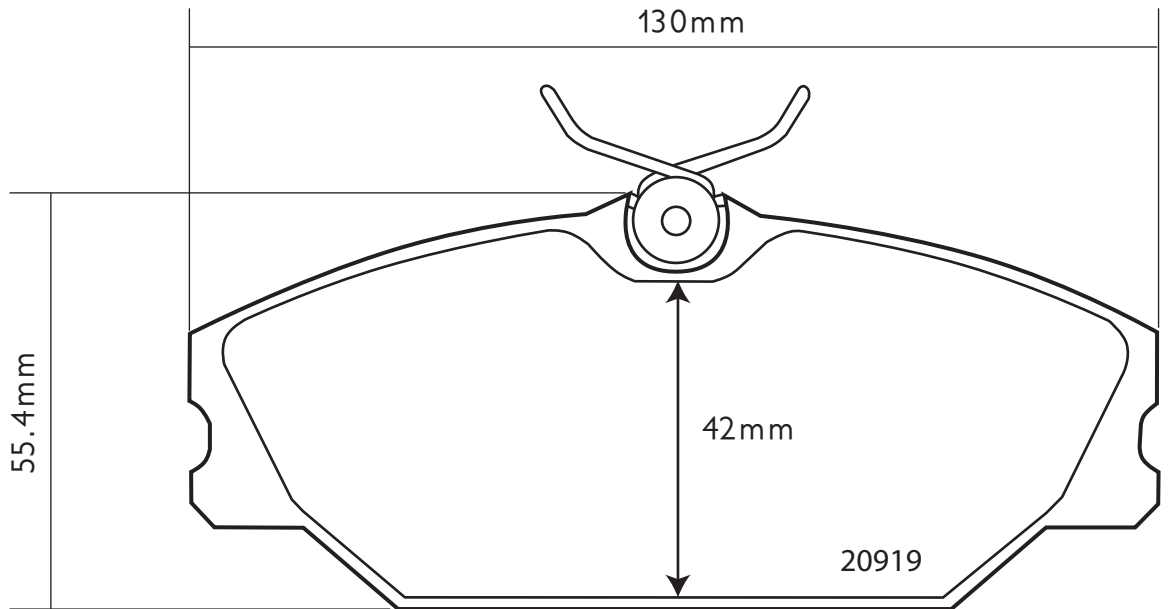


th 15mm



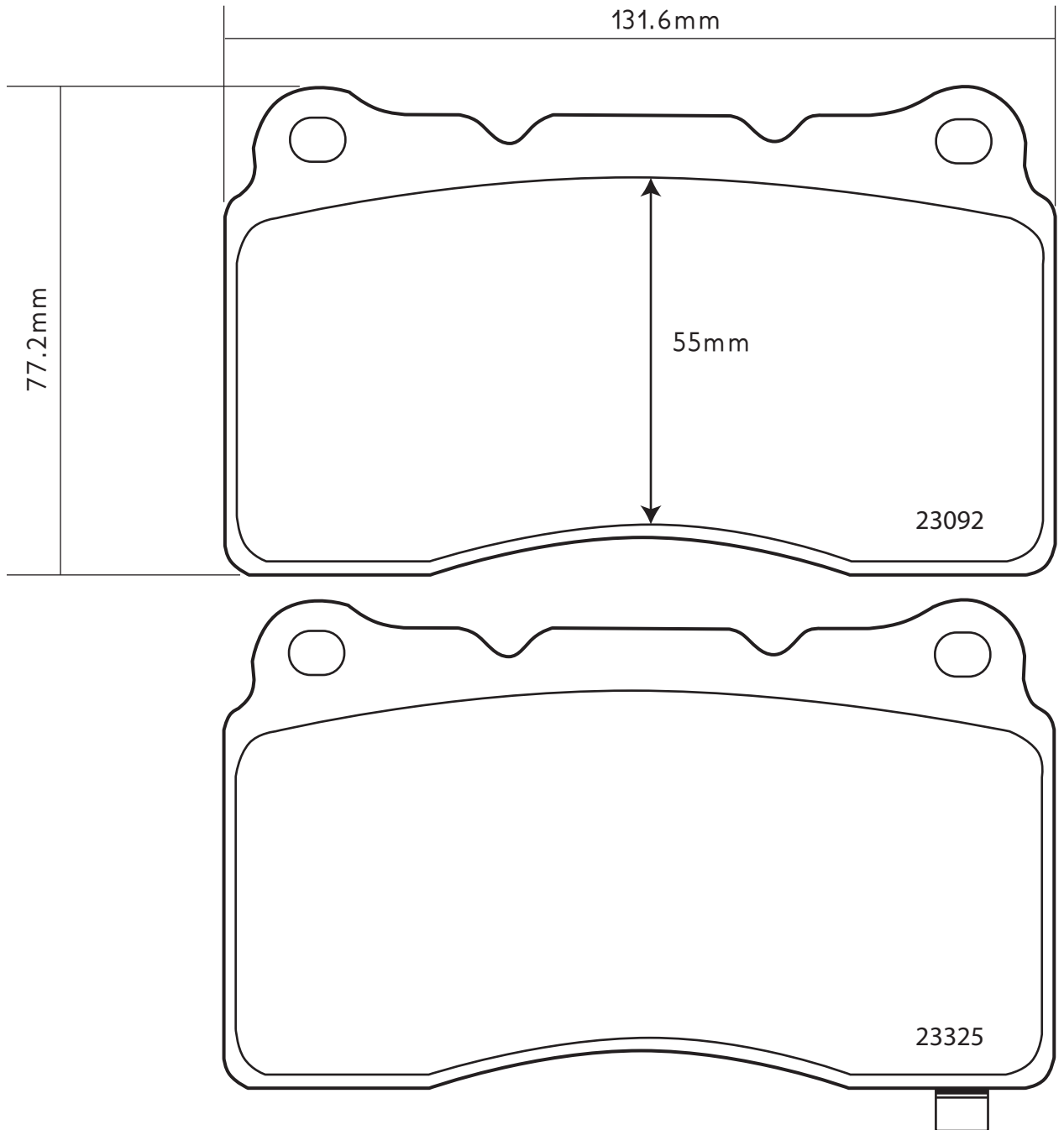
07.B314.50

th 18mm



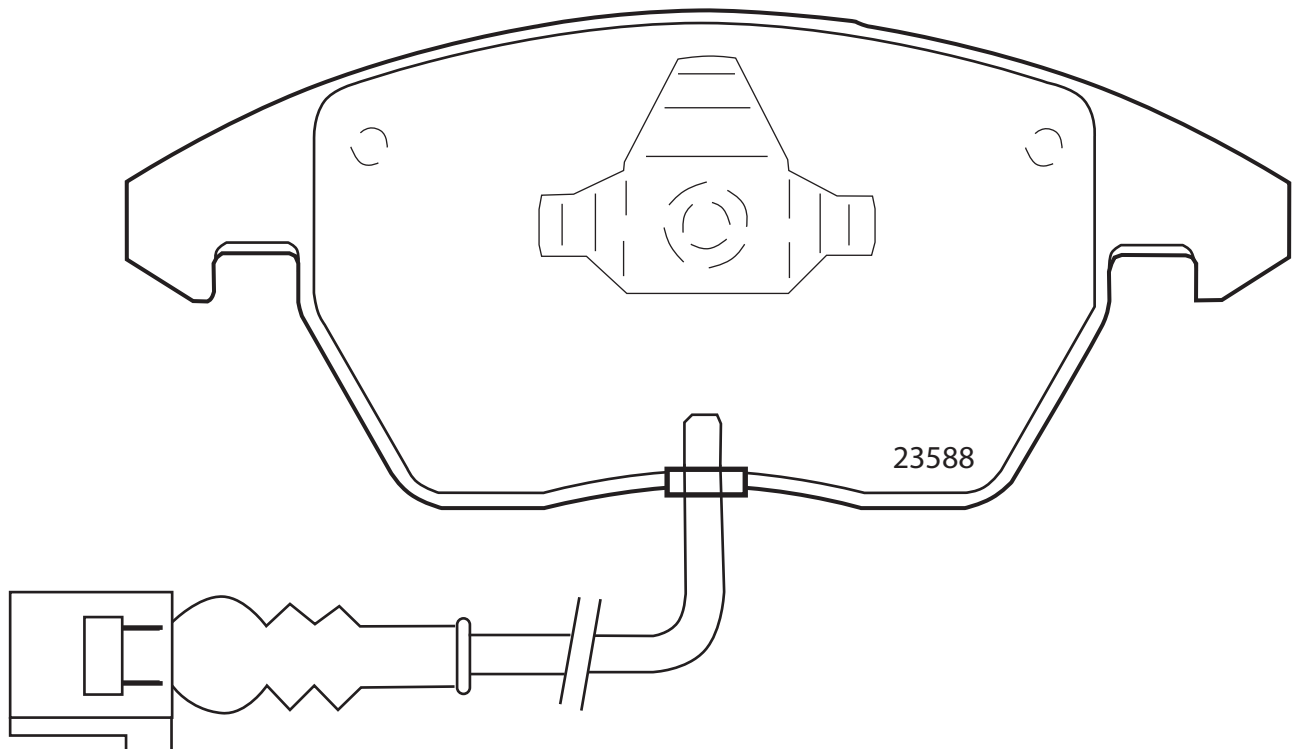
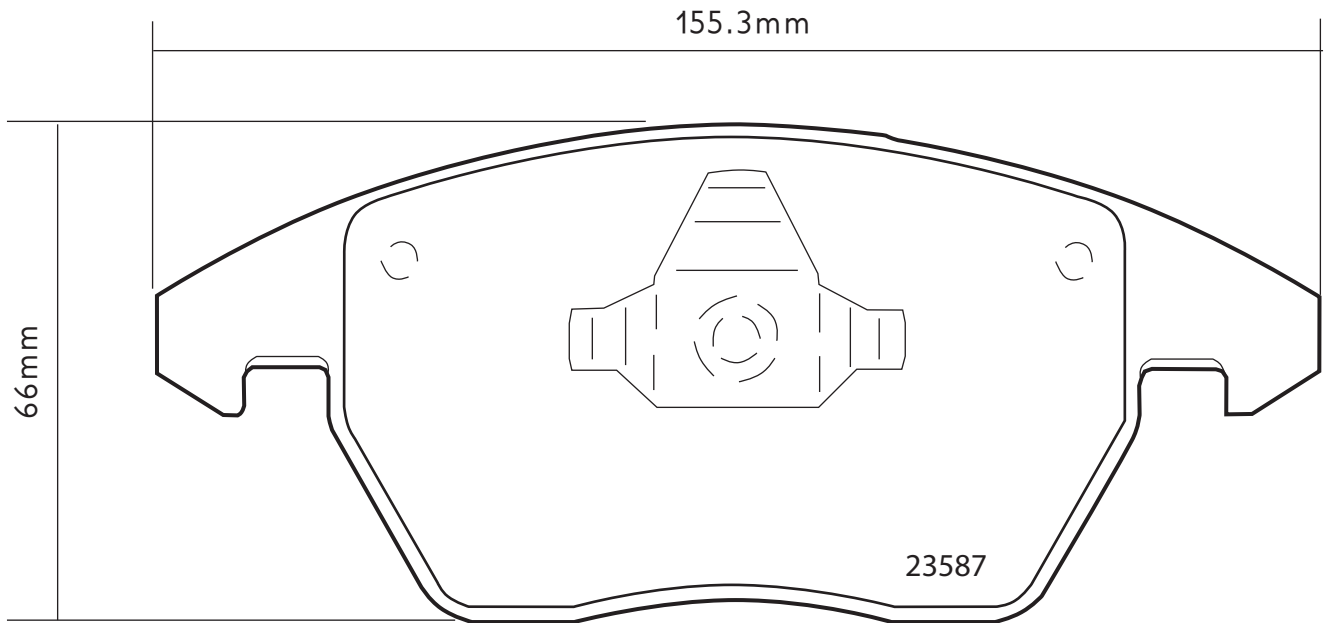
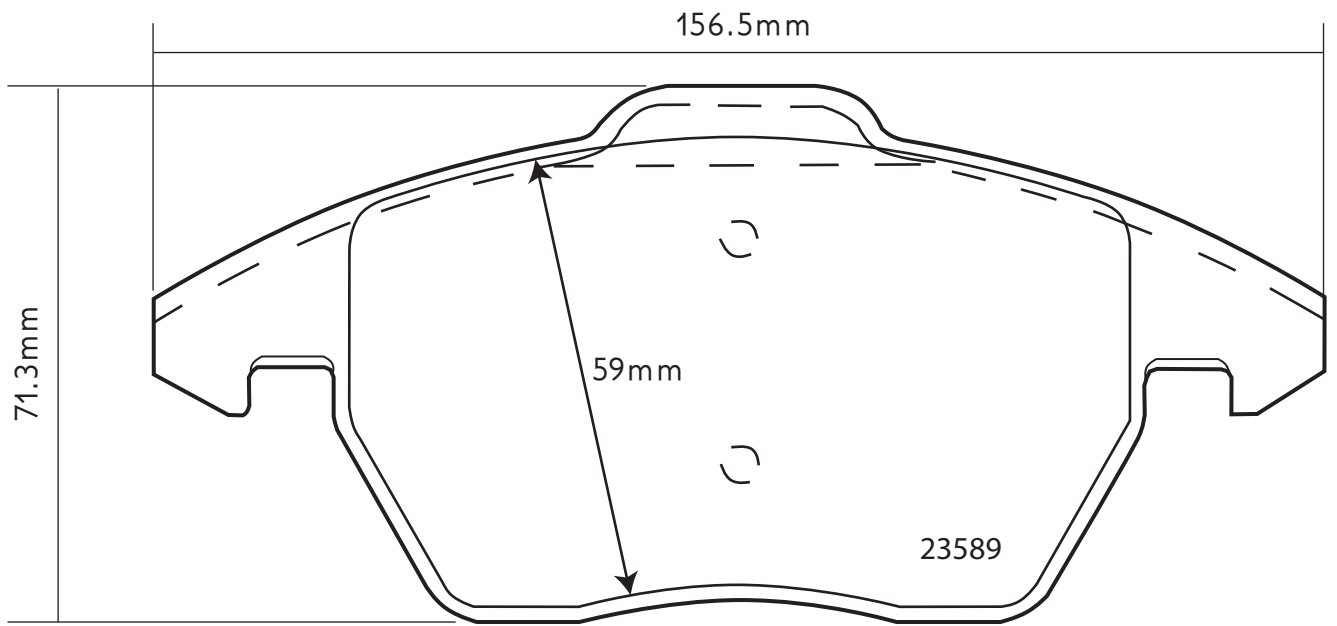
07.B314.51

th 14.7mm

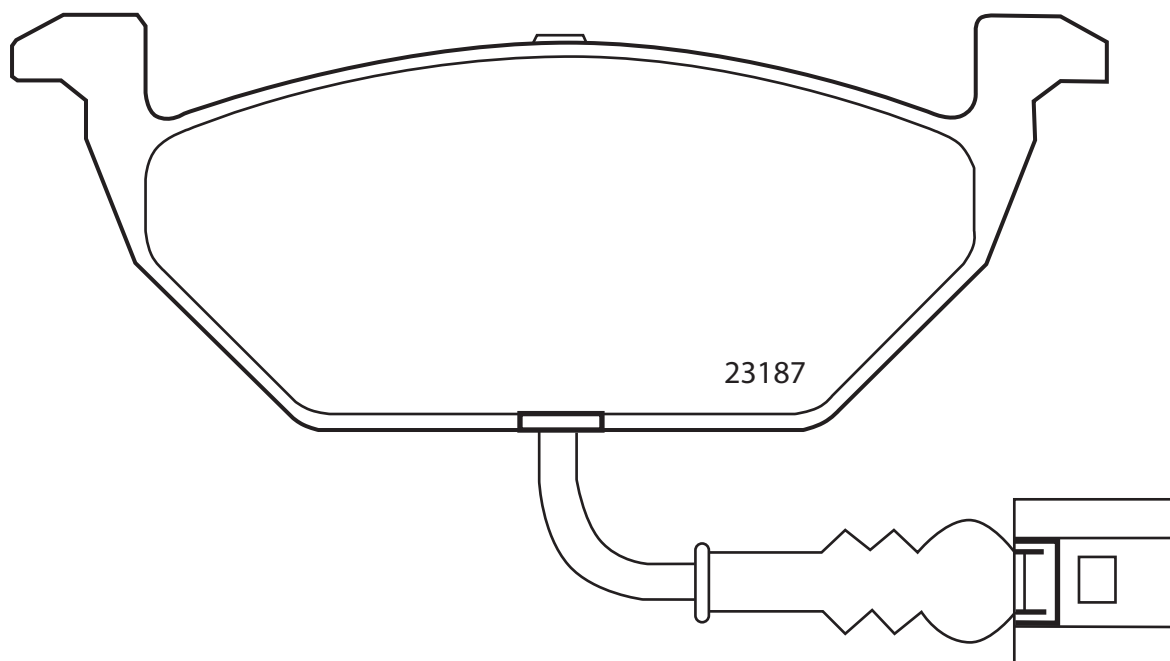
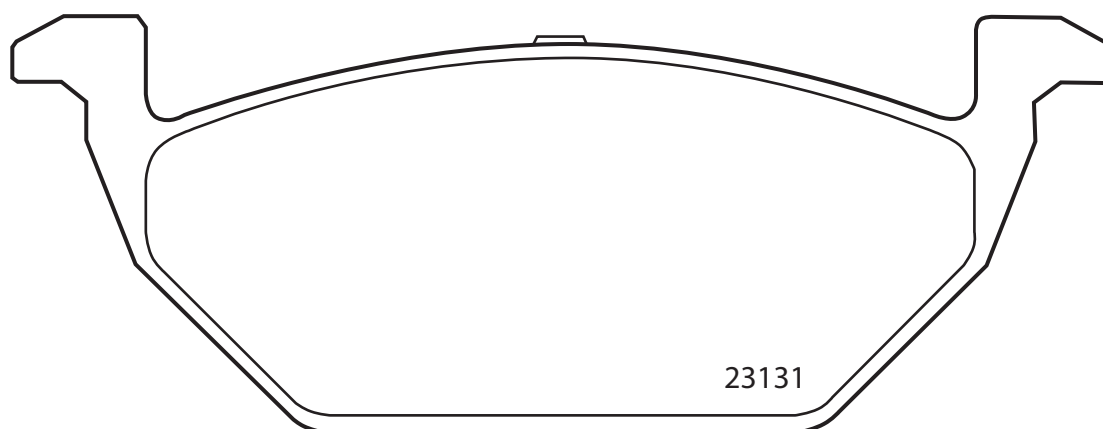
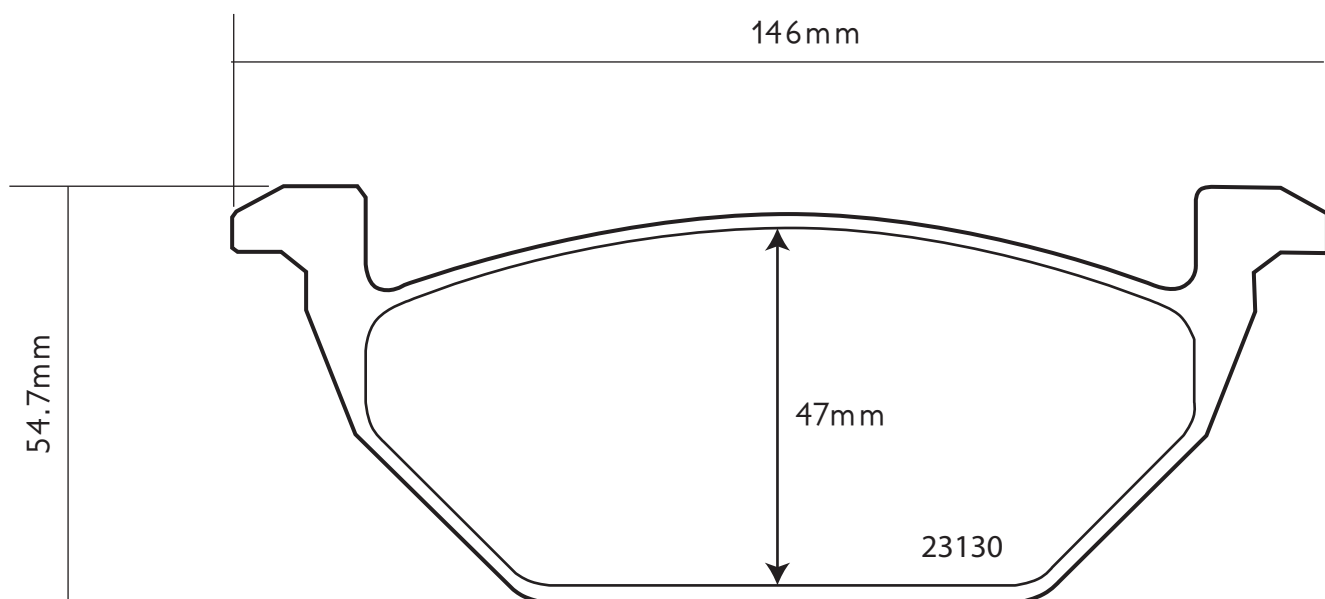


th 20.3mm

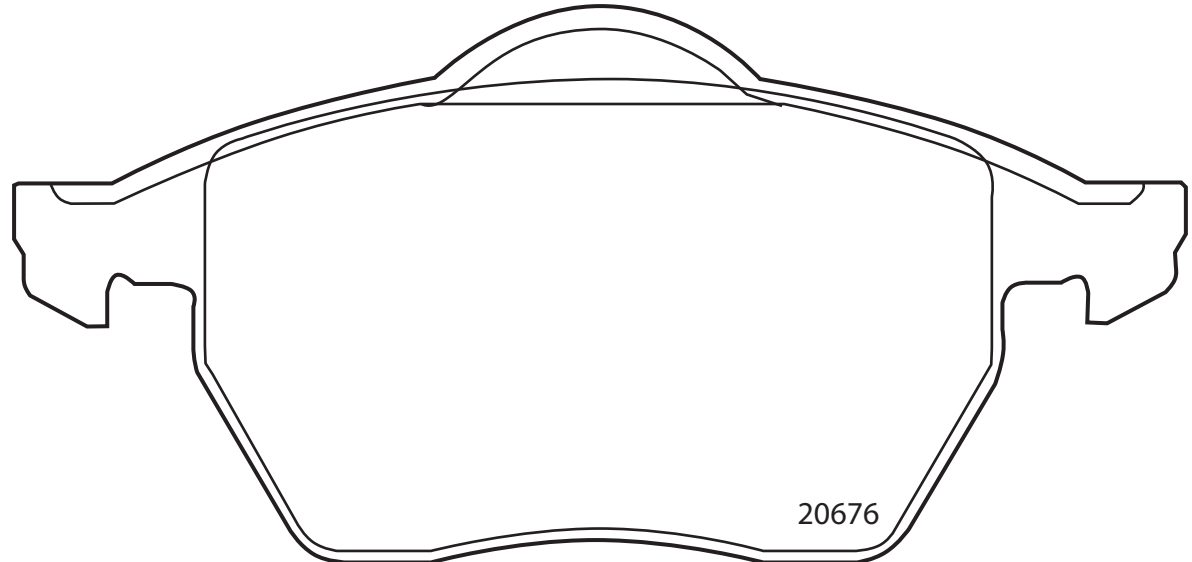
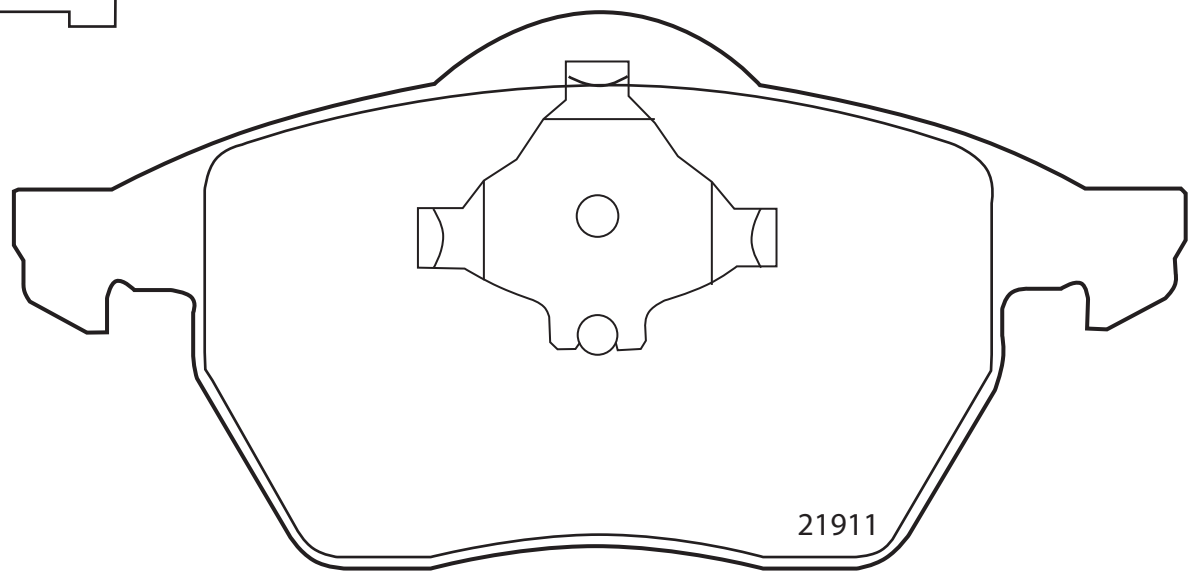
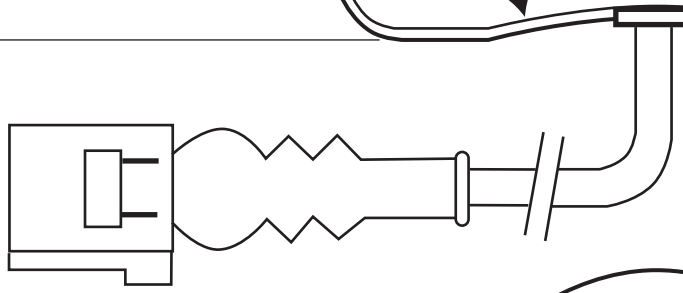
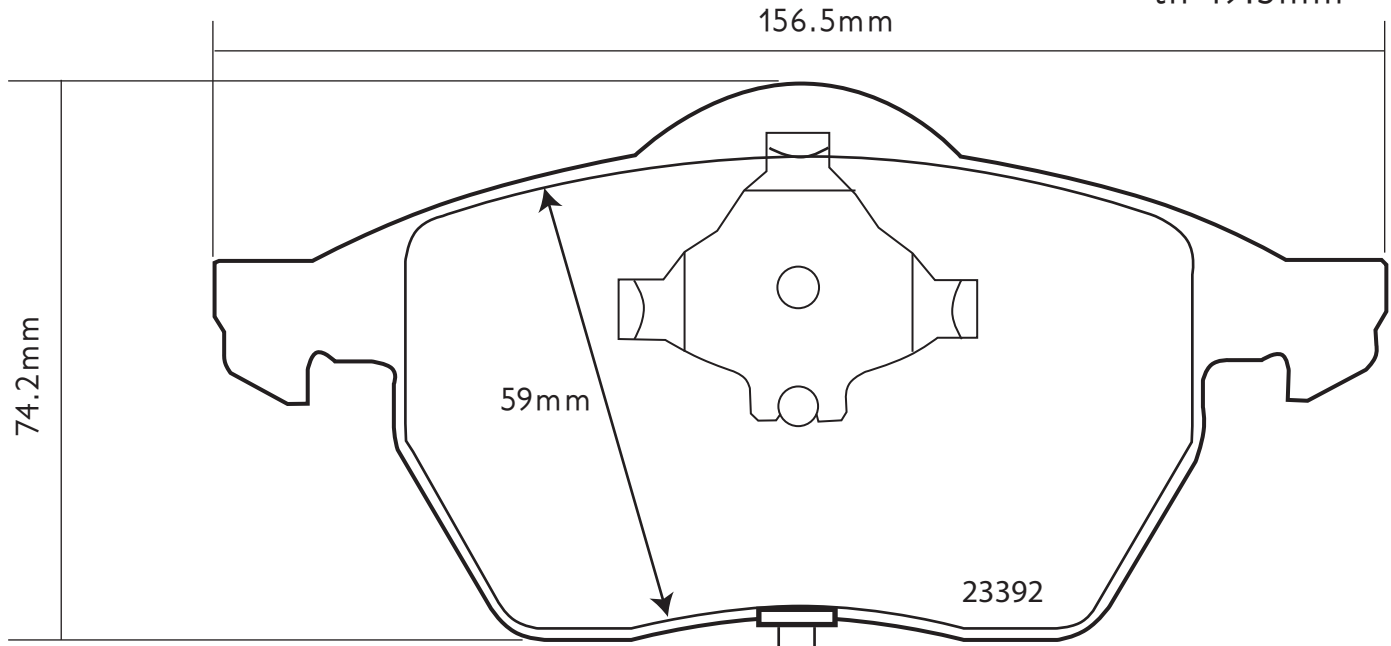
07.B314.52

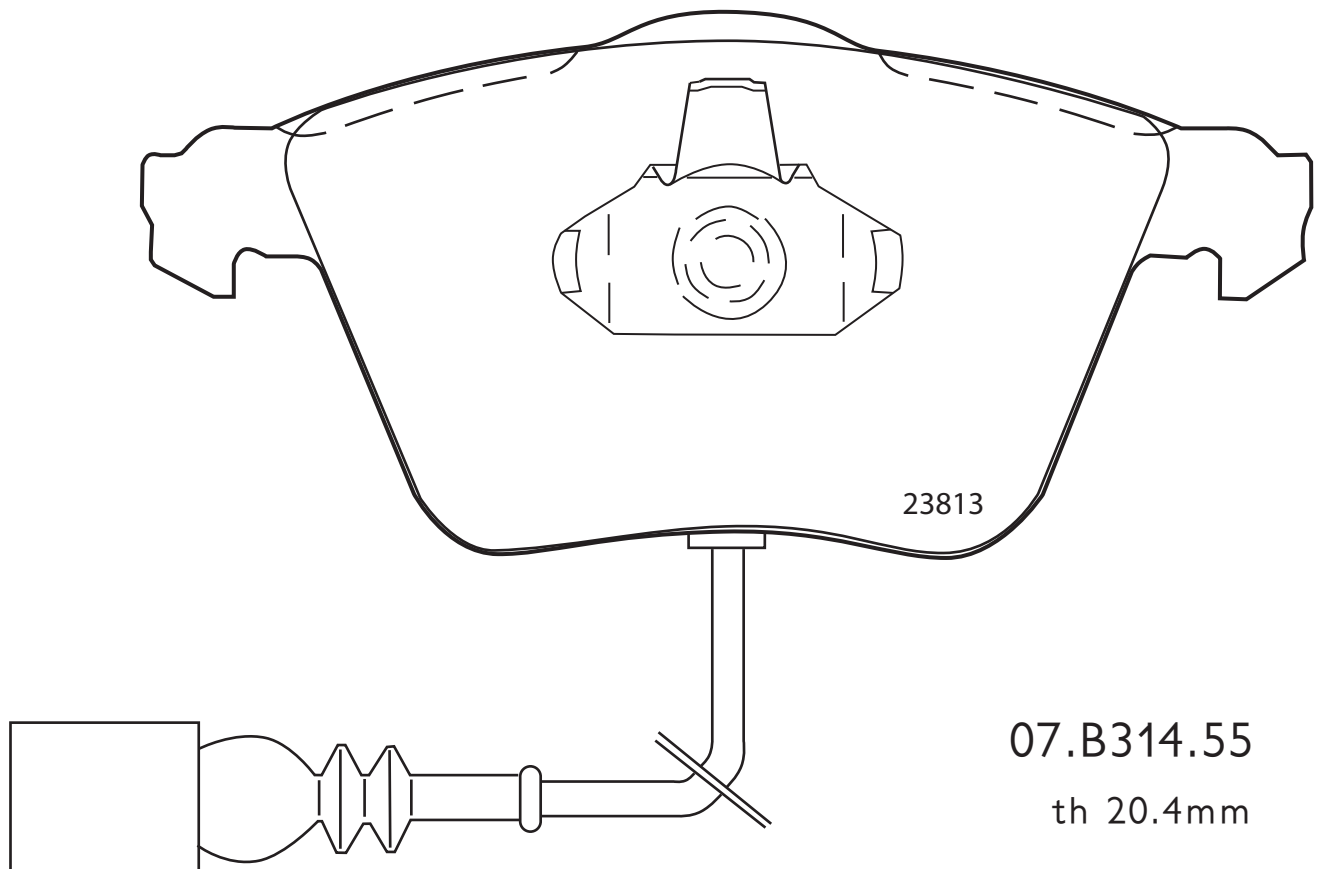
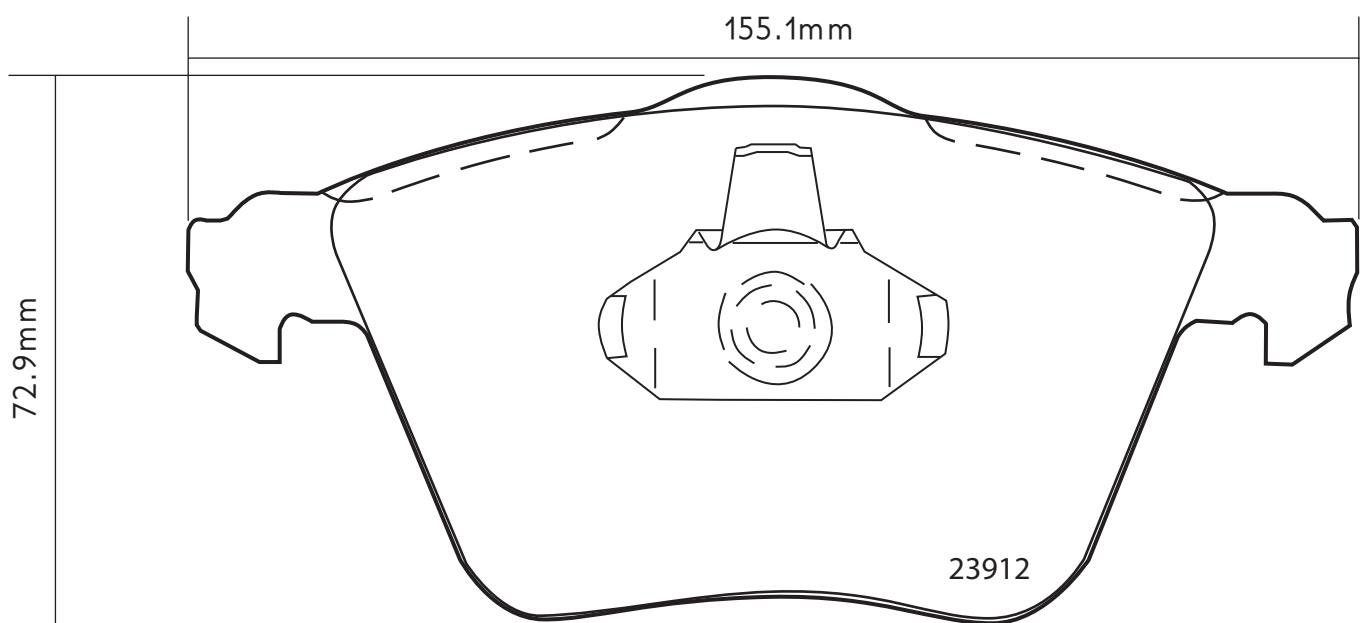
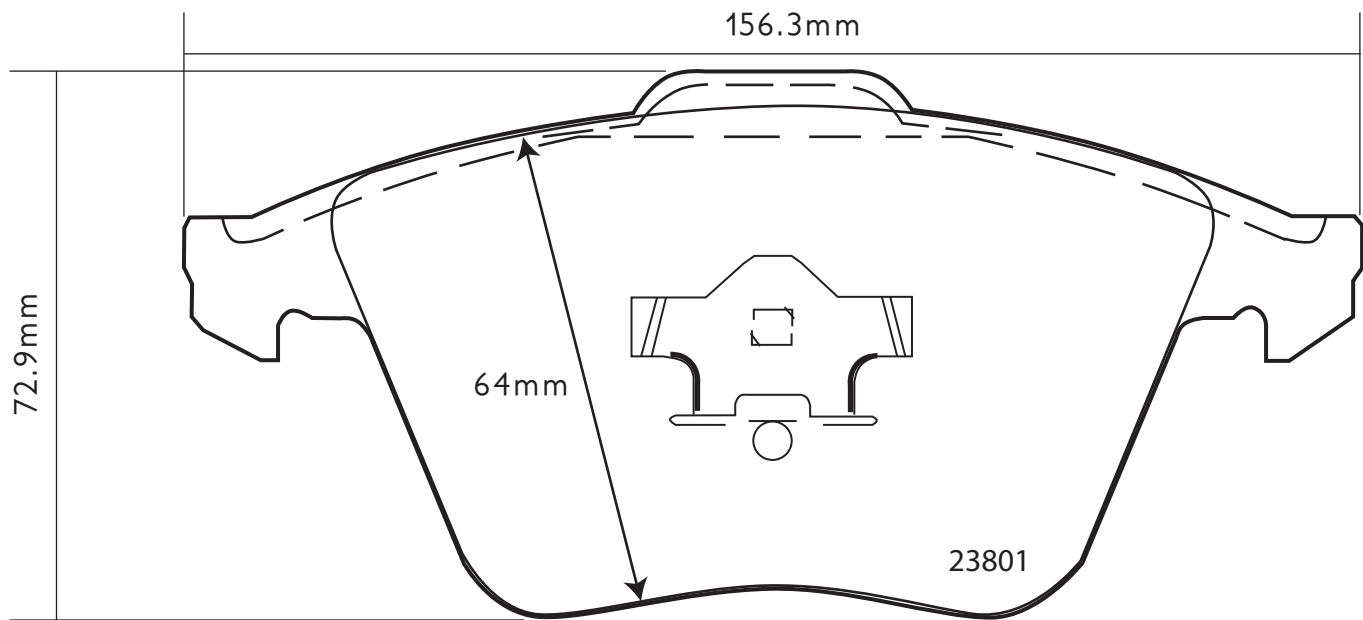


th 19.7mm



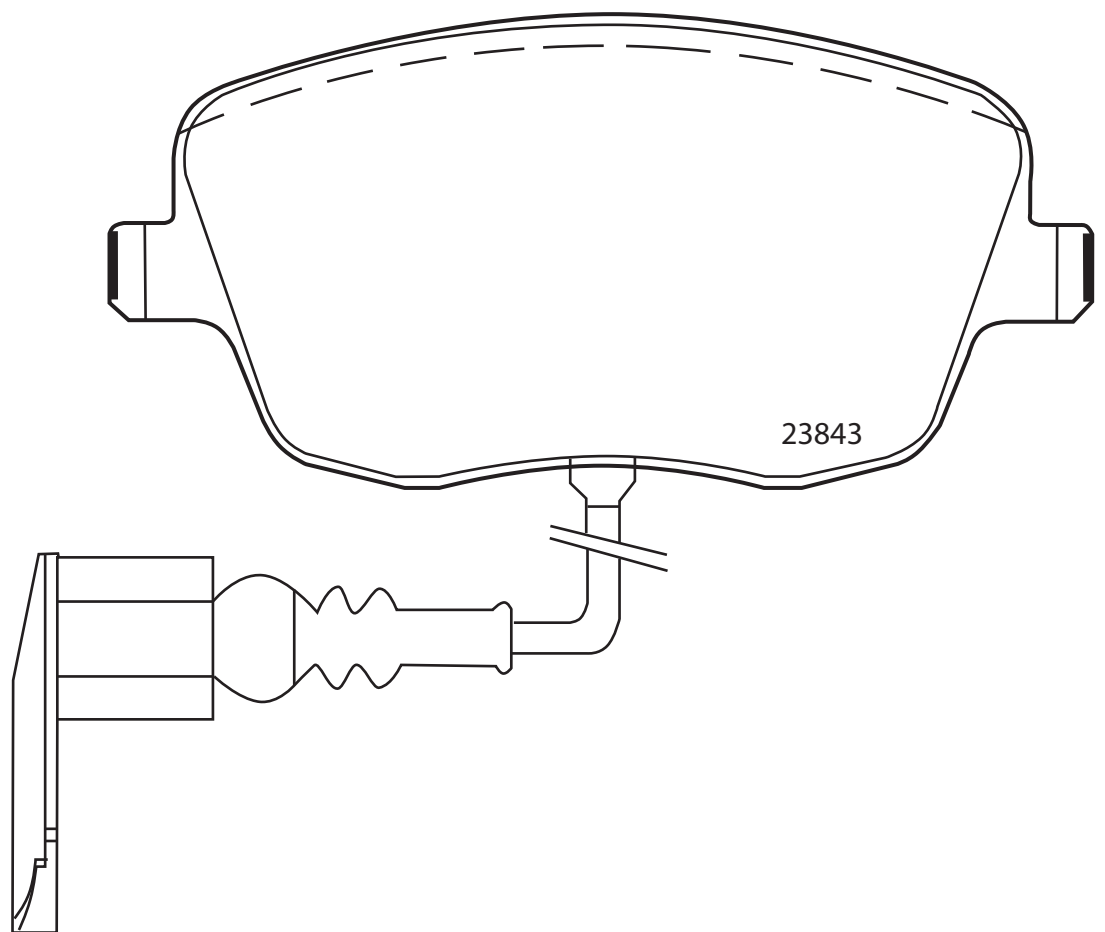
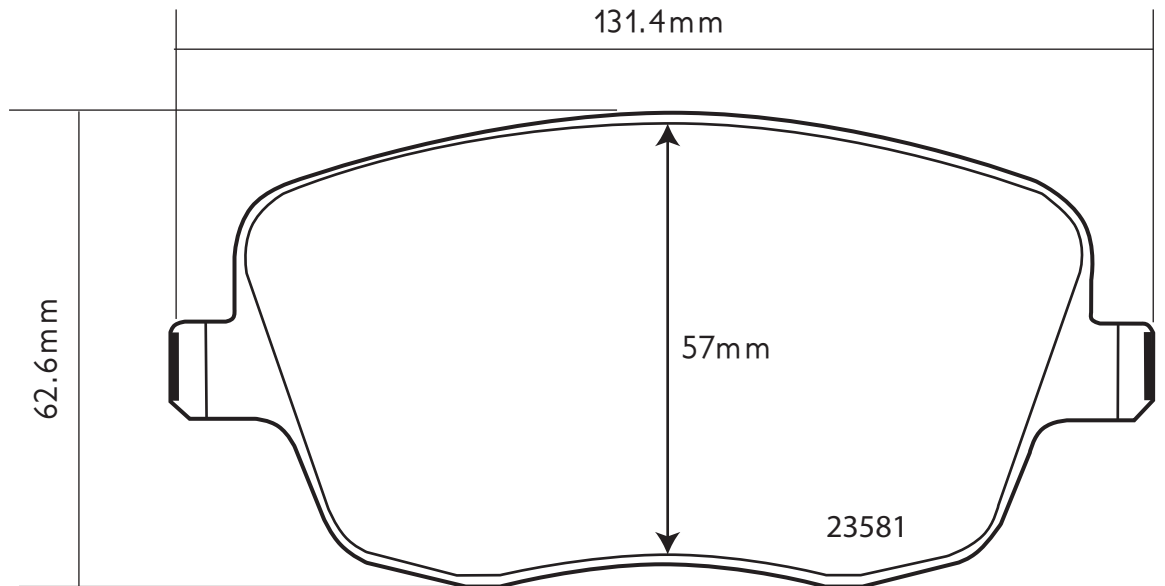
07.B314.54
th 19.5mm





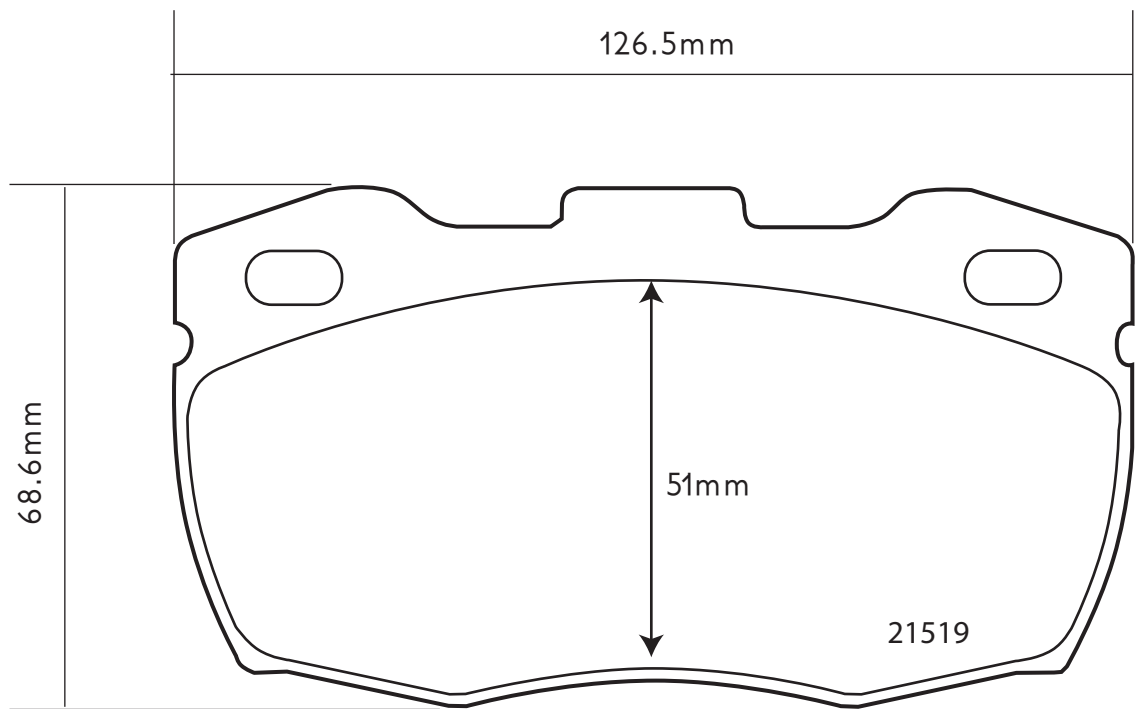
07.B314.56

th 19mm



07.B314.57

th 17mm

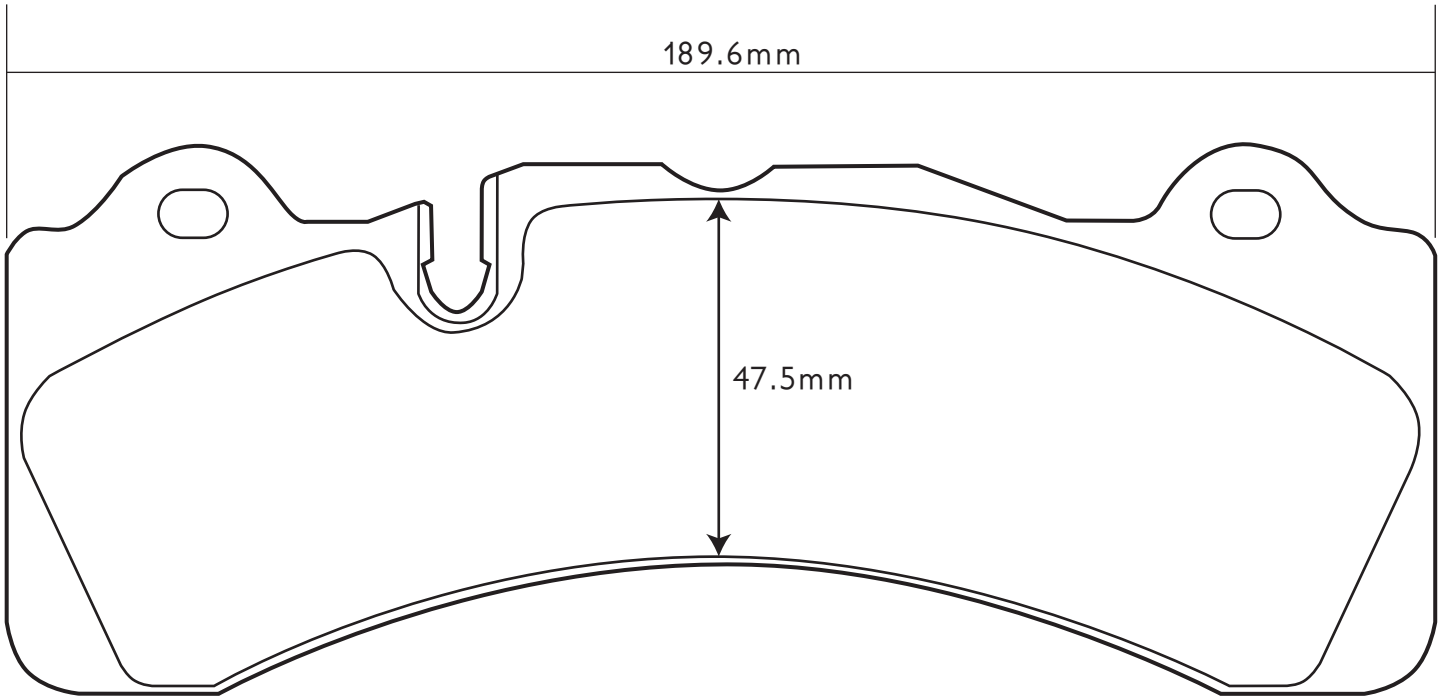


07.B314.58

th 16.8mm

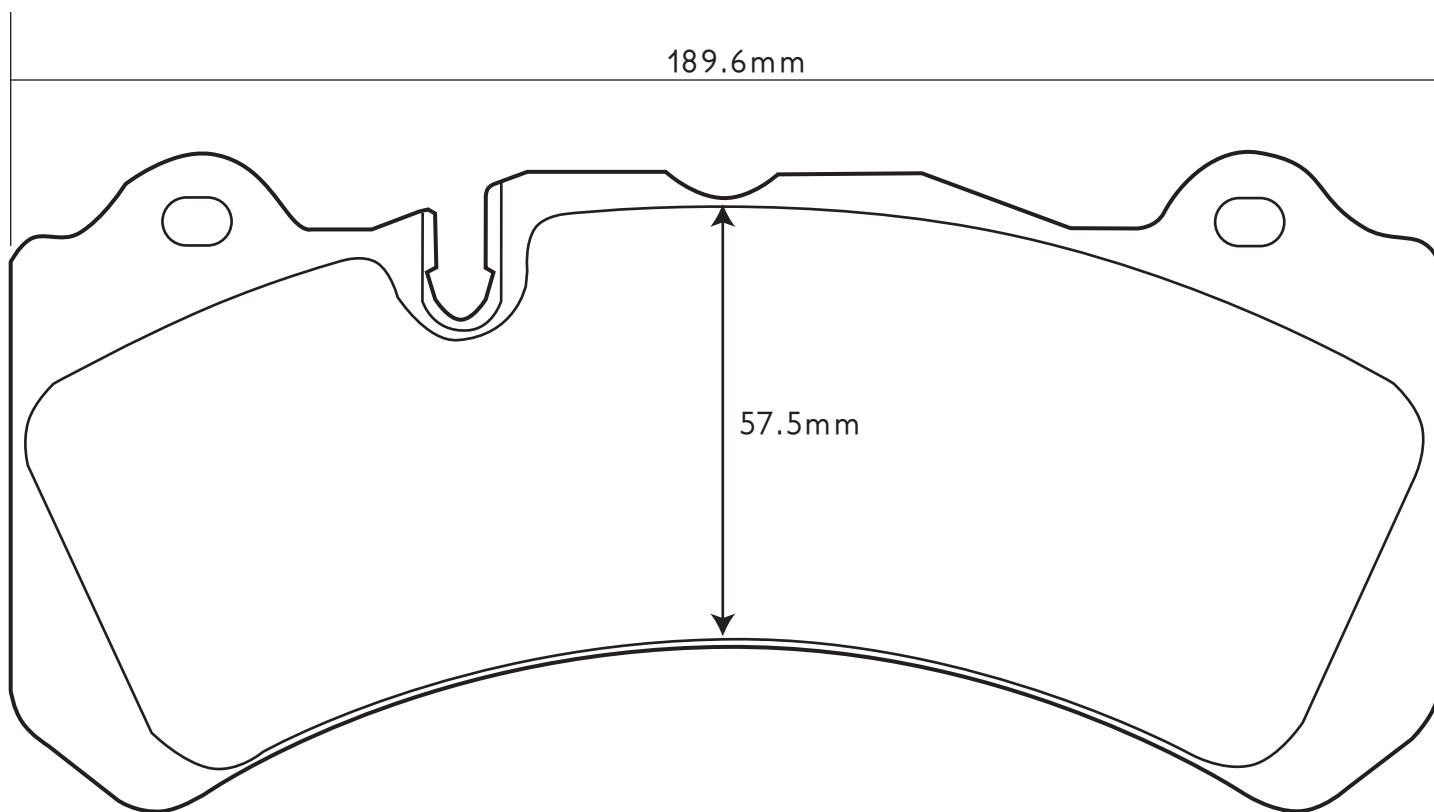
189.6mm

47.5mm



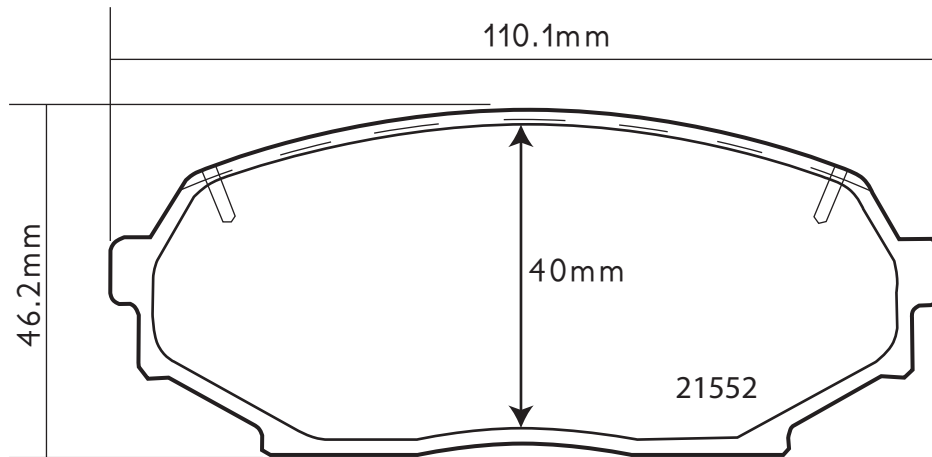
07.B314.59

th 16.8mm



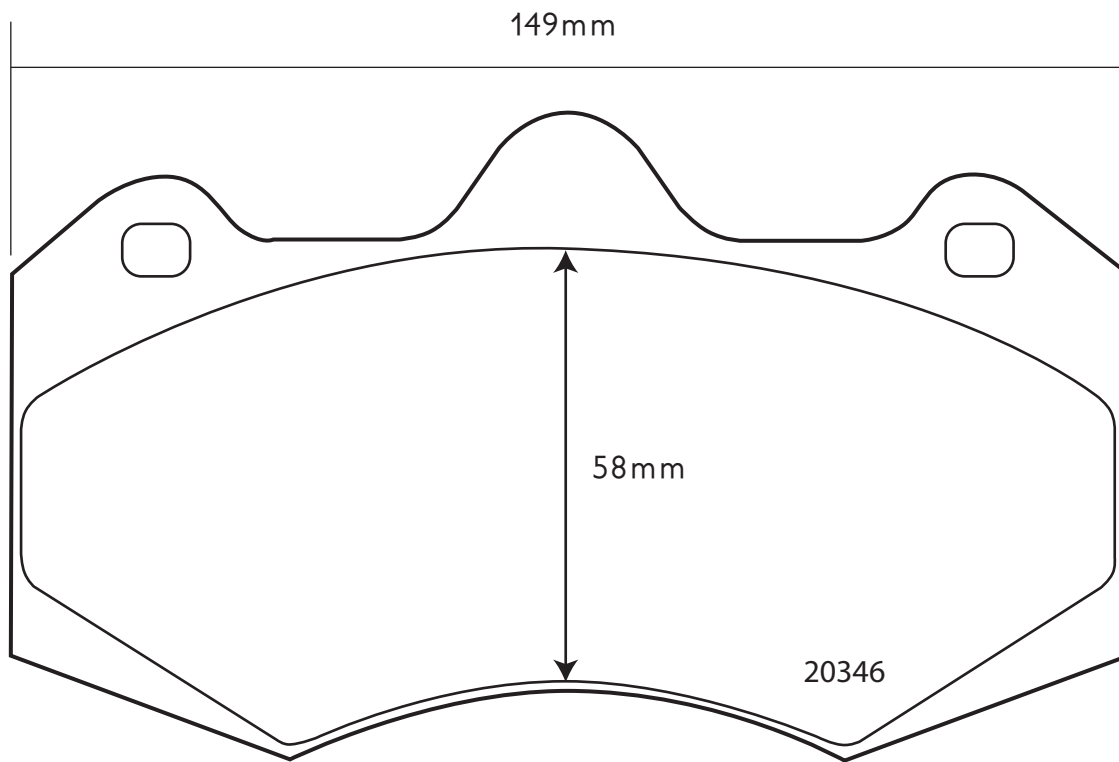
07.B314.60

th 14.4mm



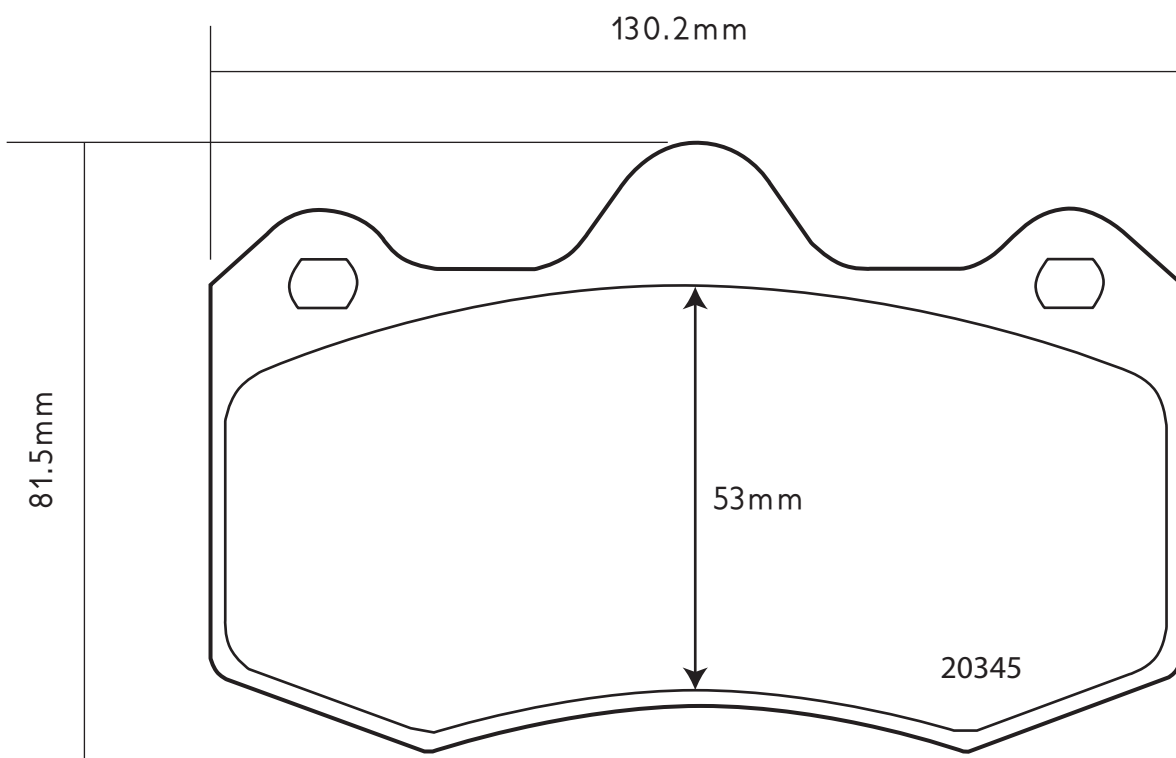
07.B314.61

th 17mm



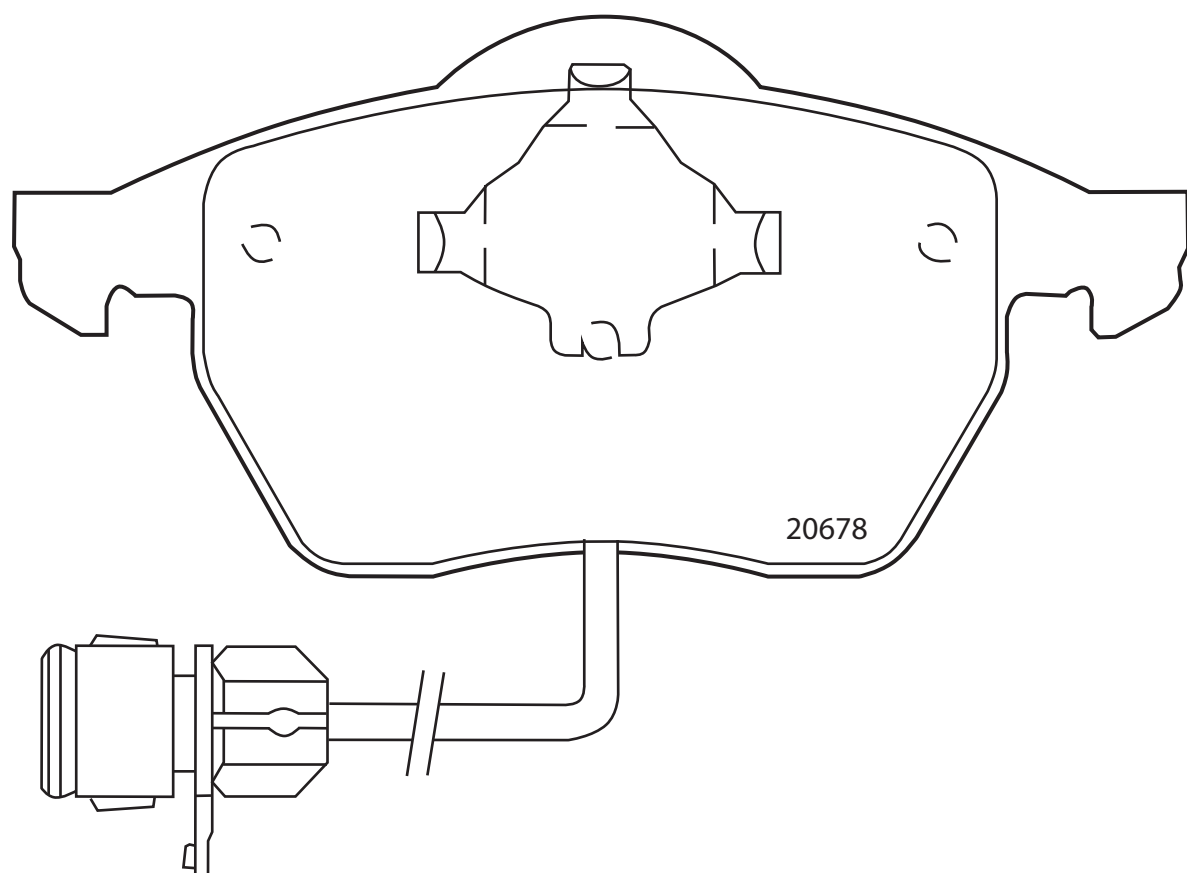
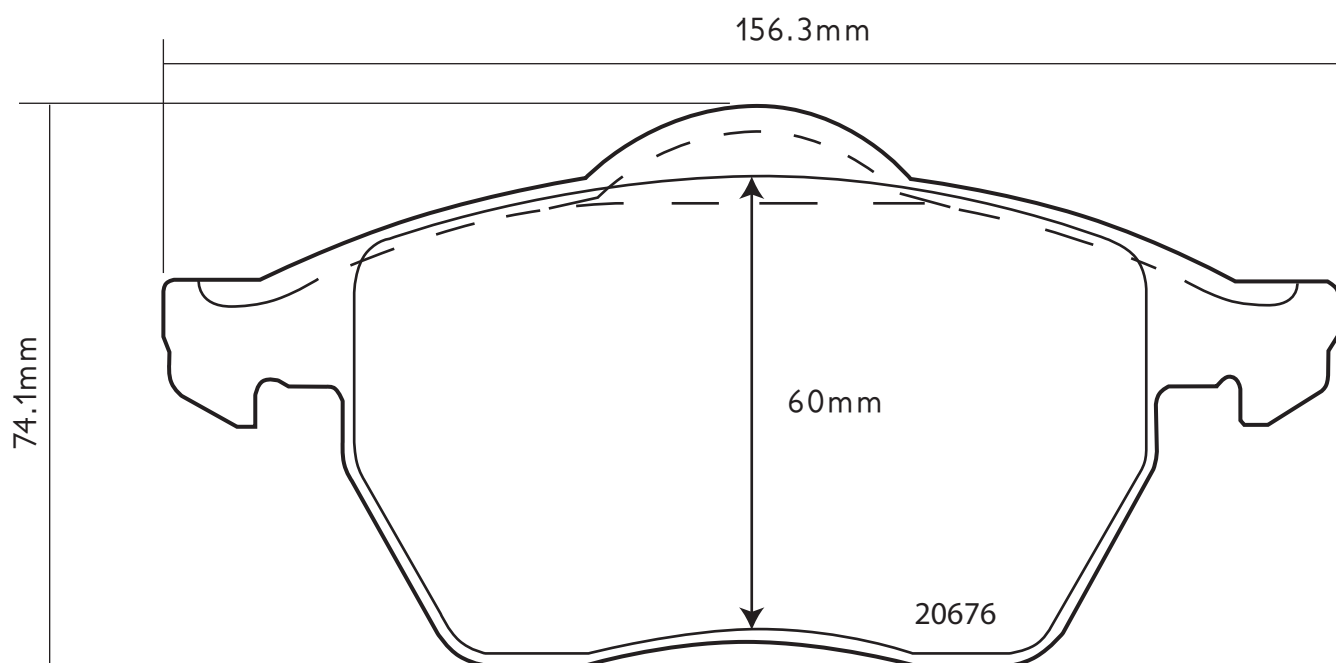
07.B314.62

th 17mm



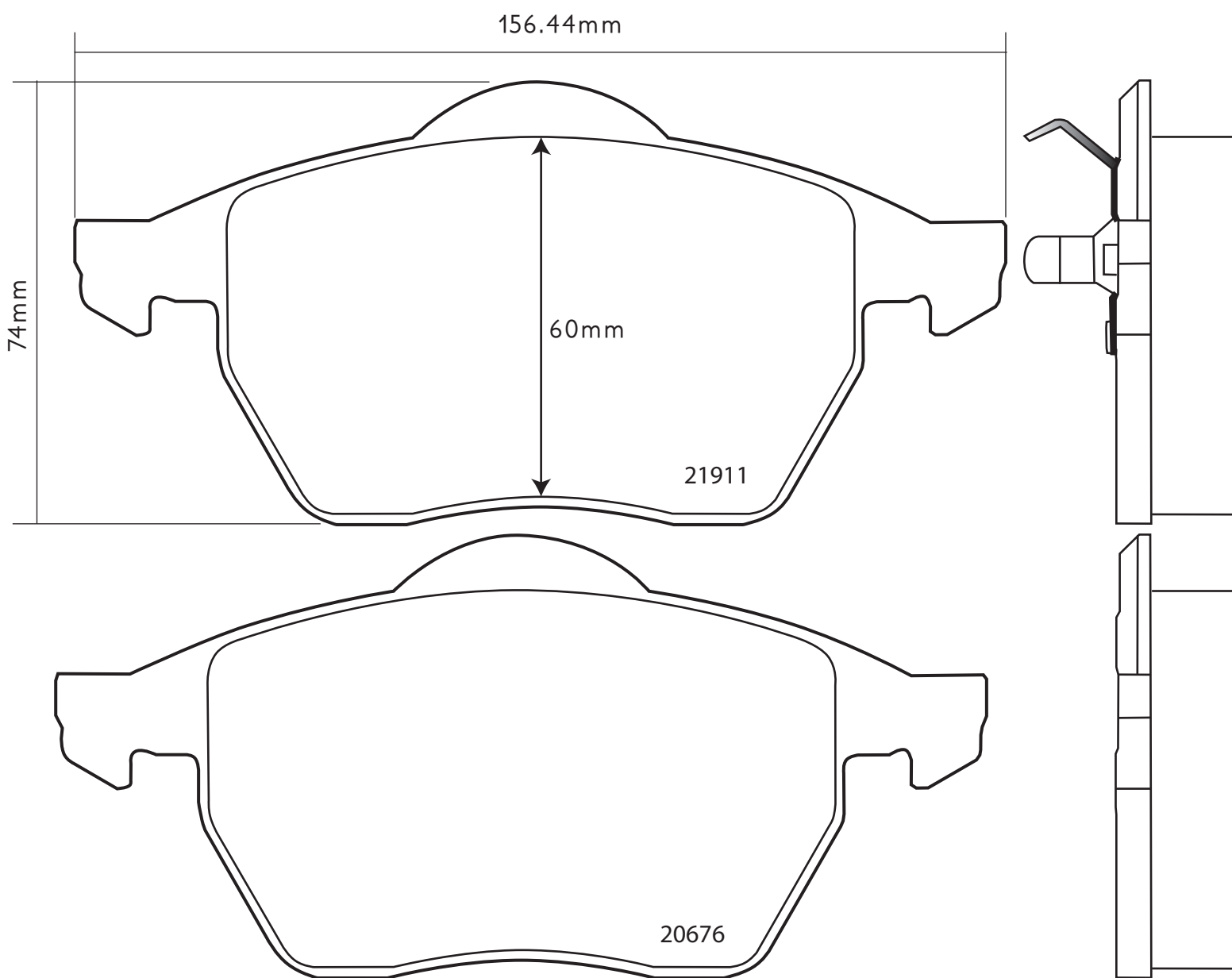
07.B314.69

th 19.6mm

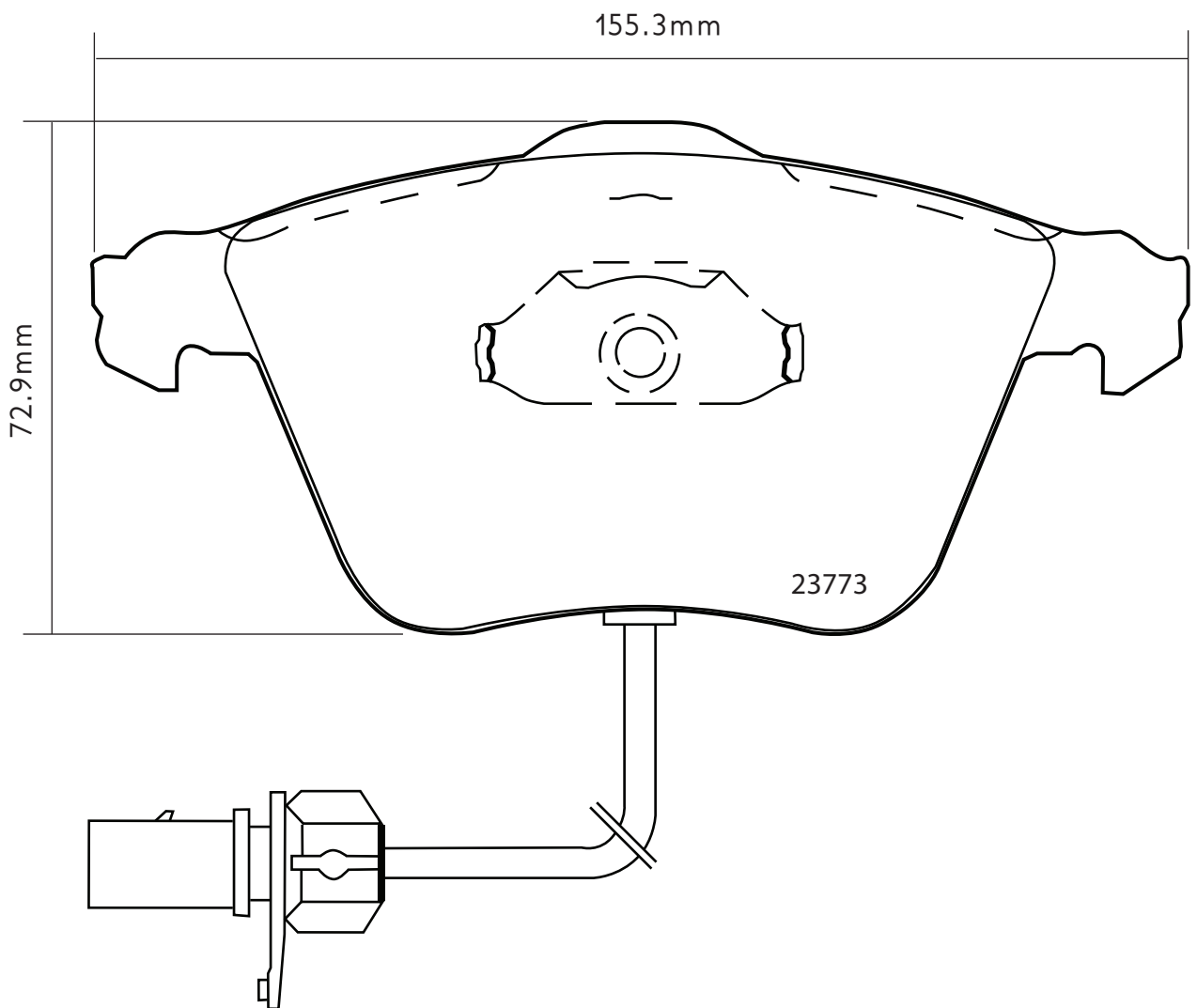
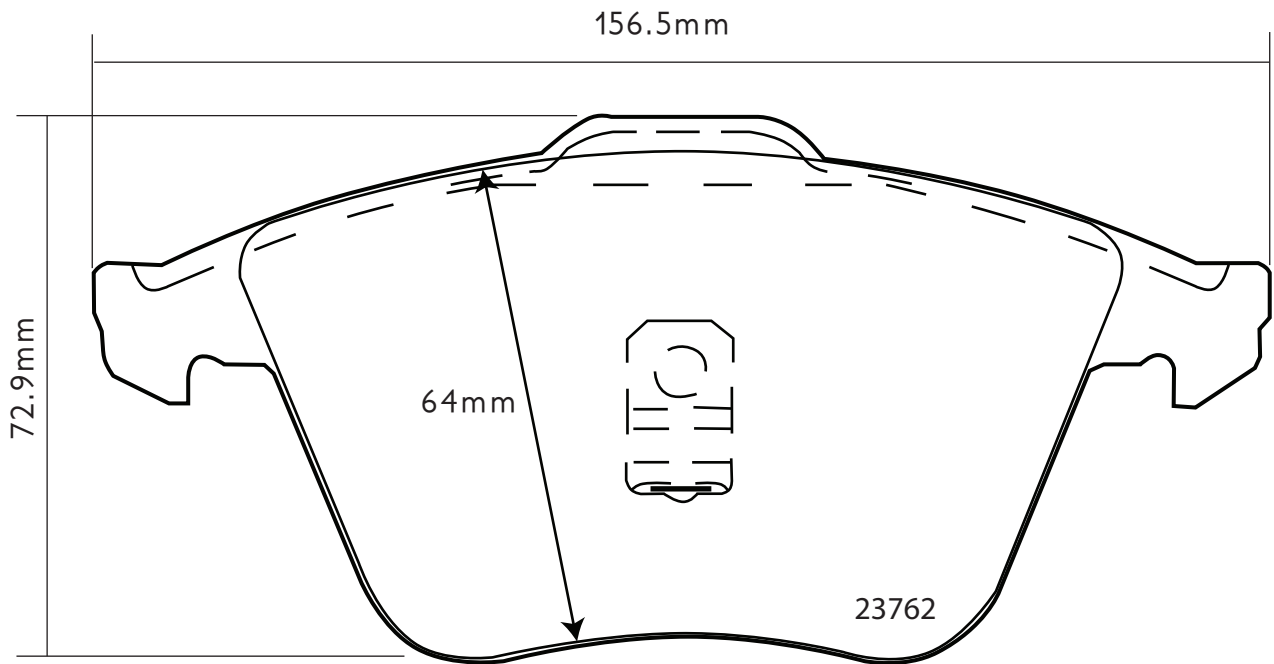


07.B314.70

th 20.6mm

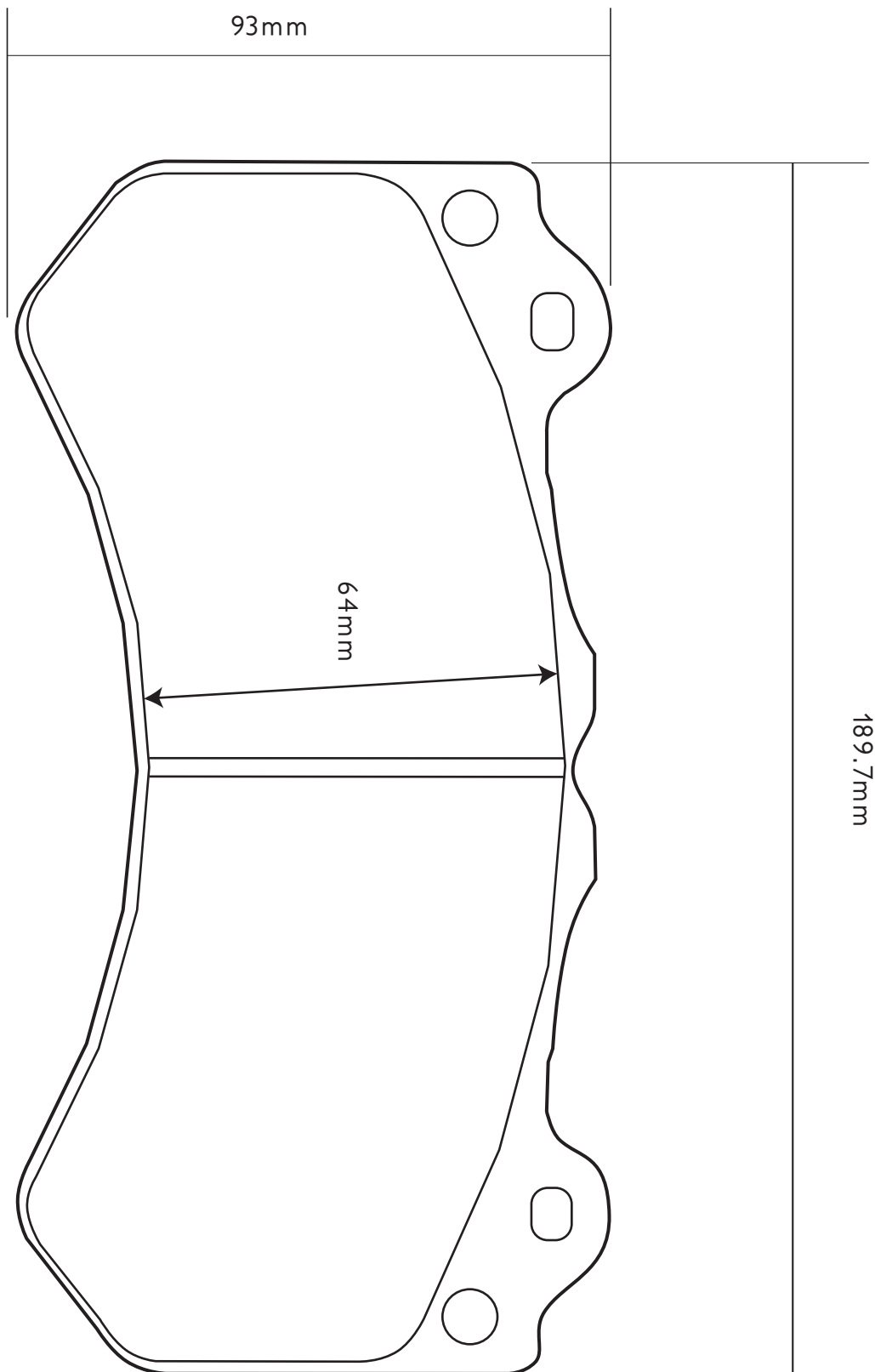


th 20.4mm



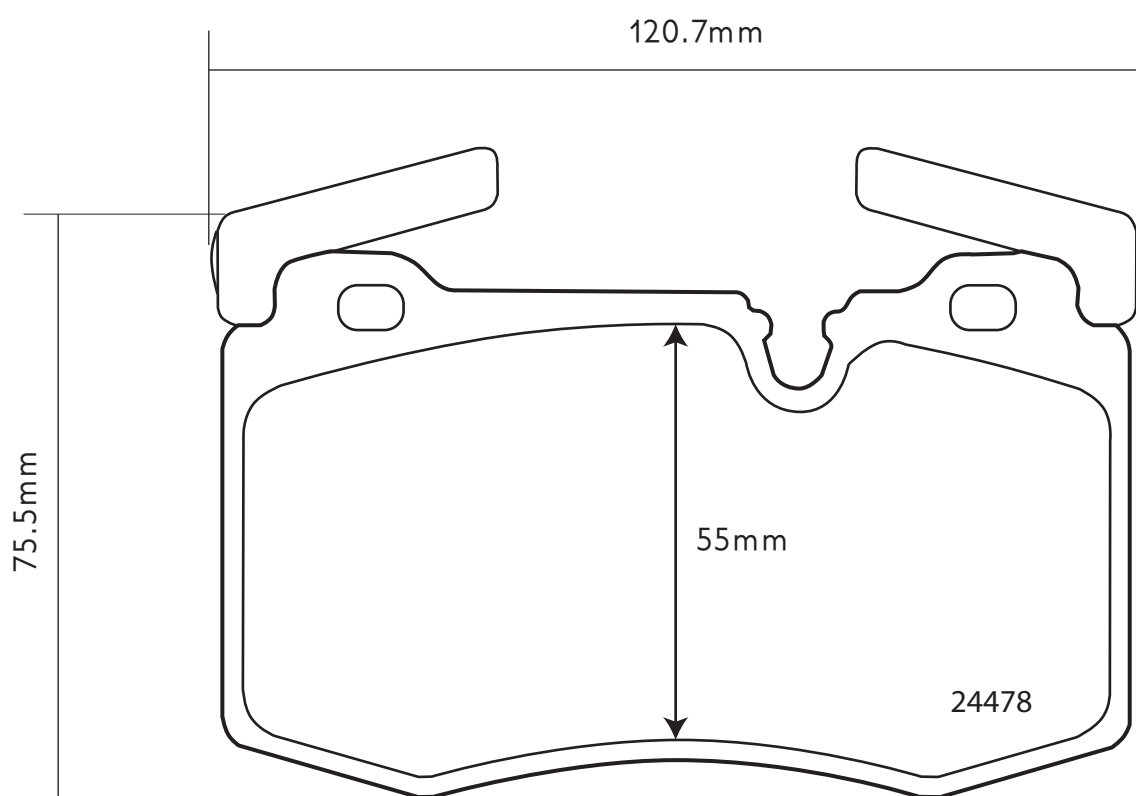
07.B314.72

th 18mm



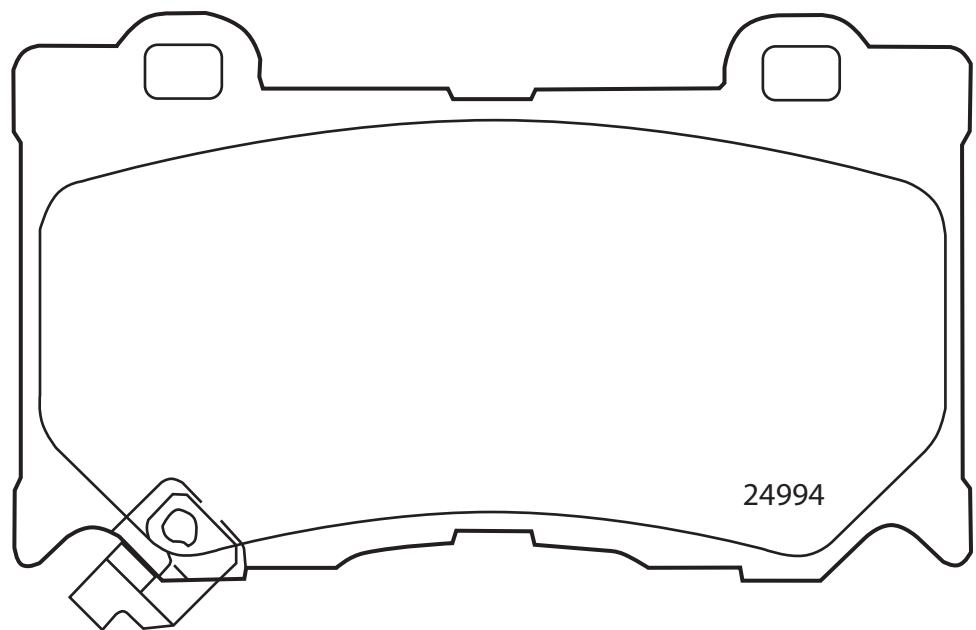
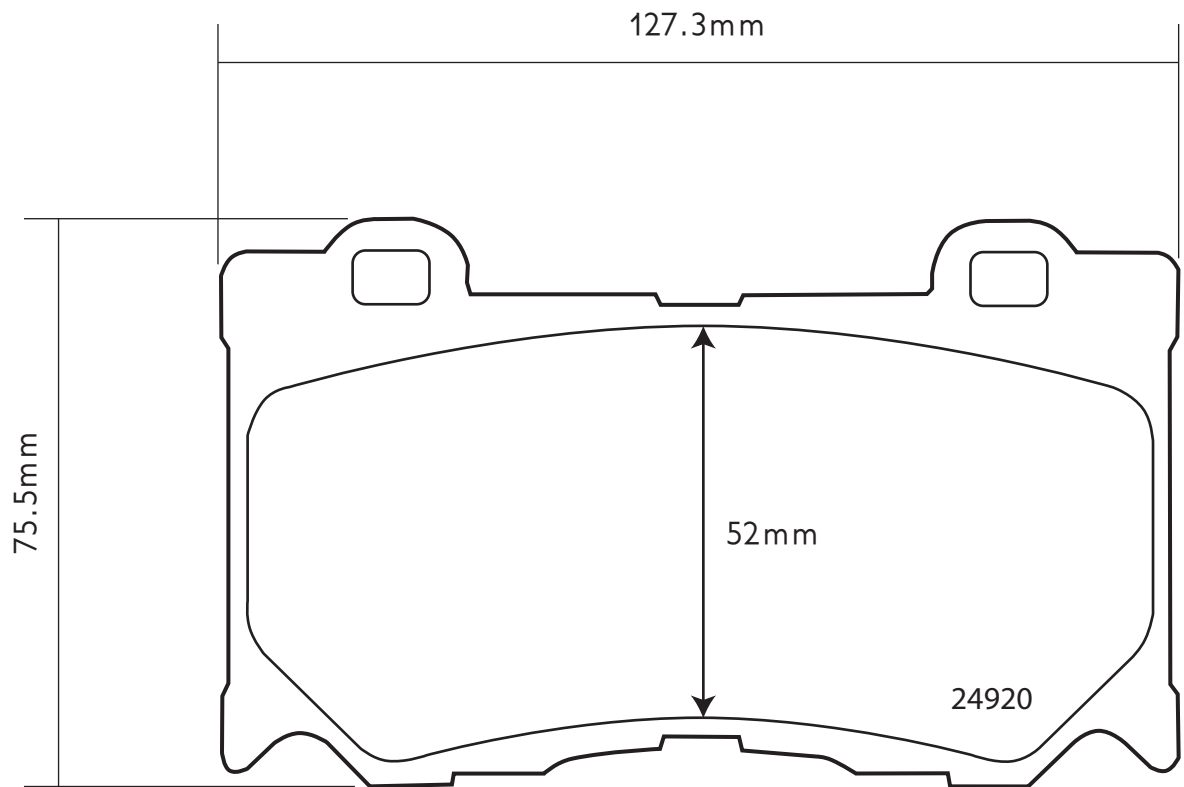
07.B314.74

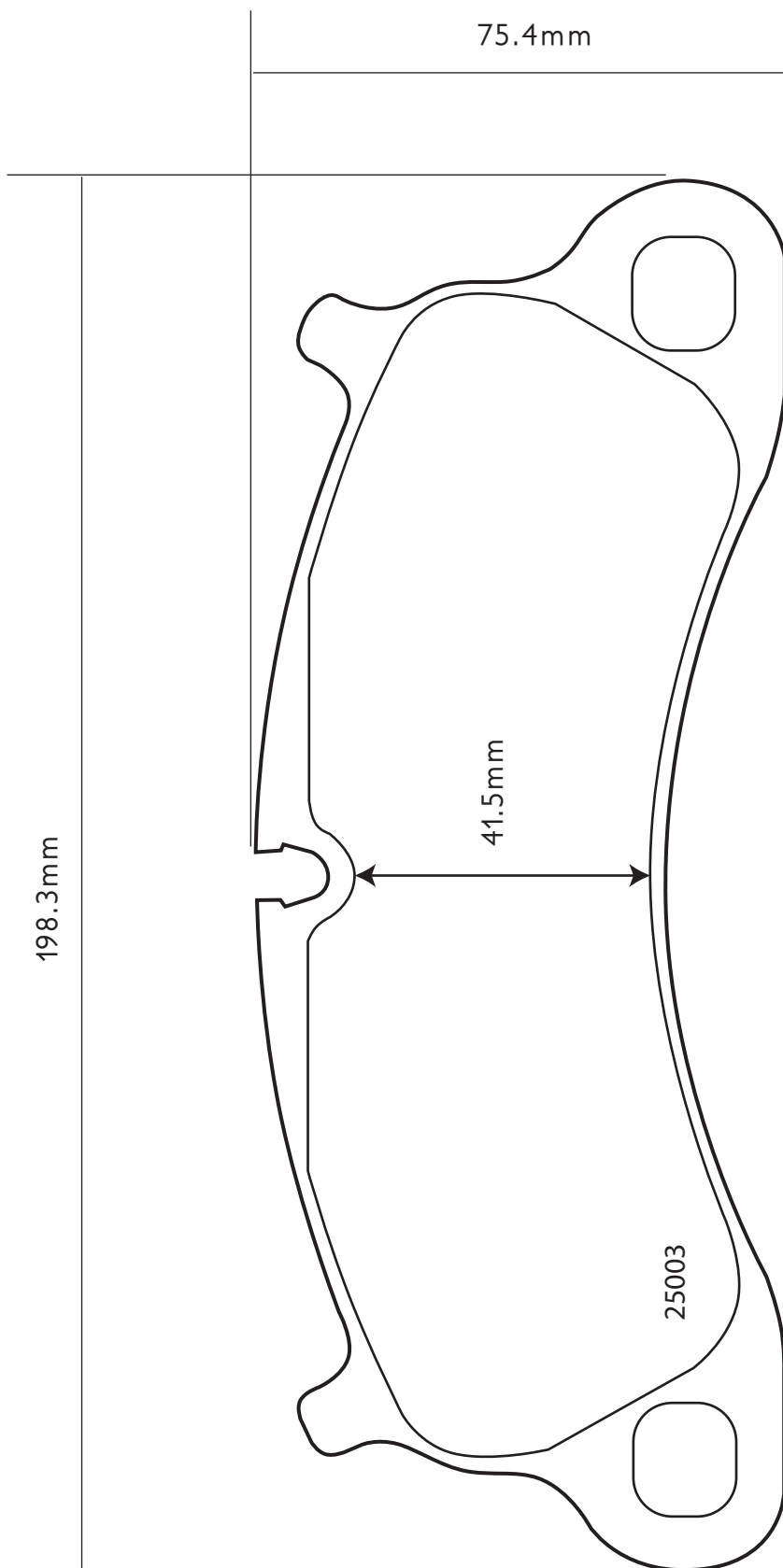
th 14.8mm



07.B314.75

th 15.6mm

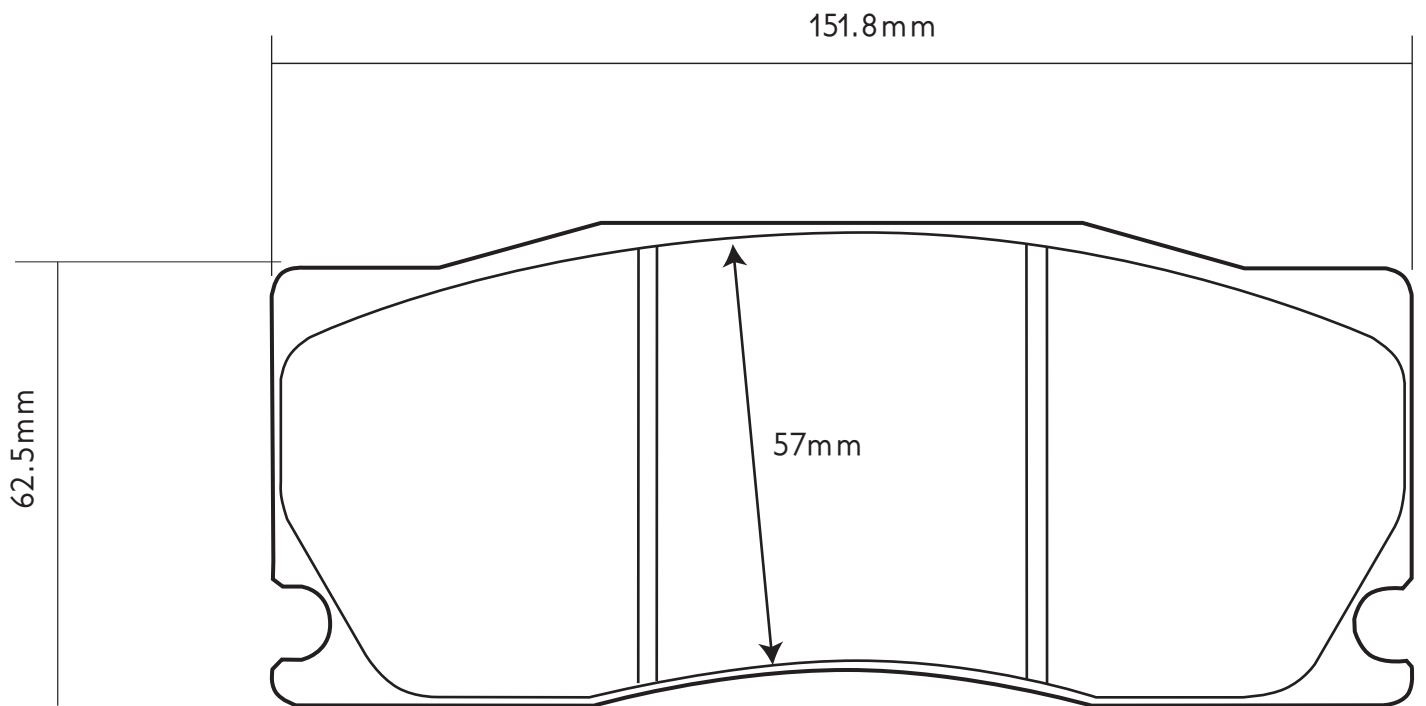




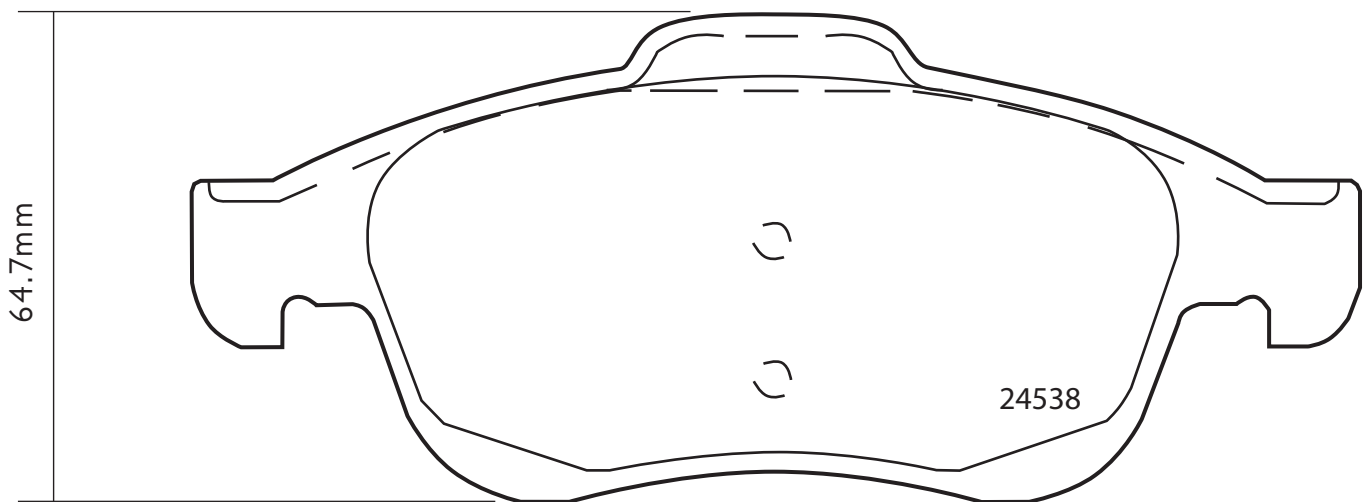
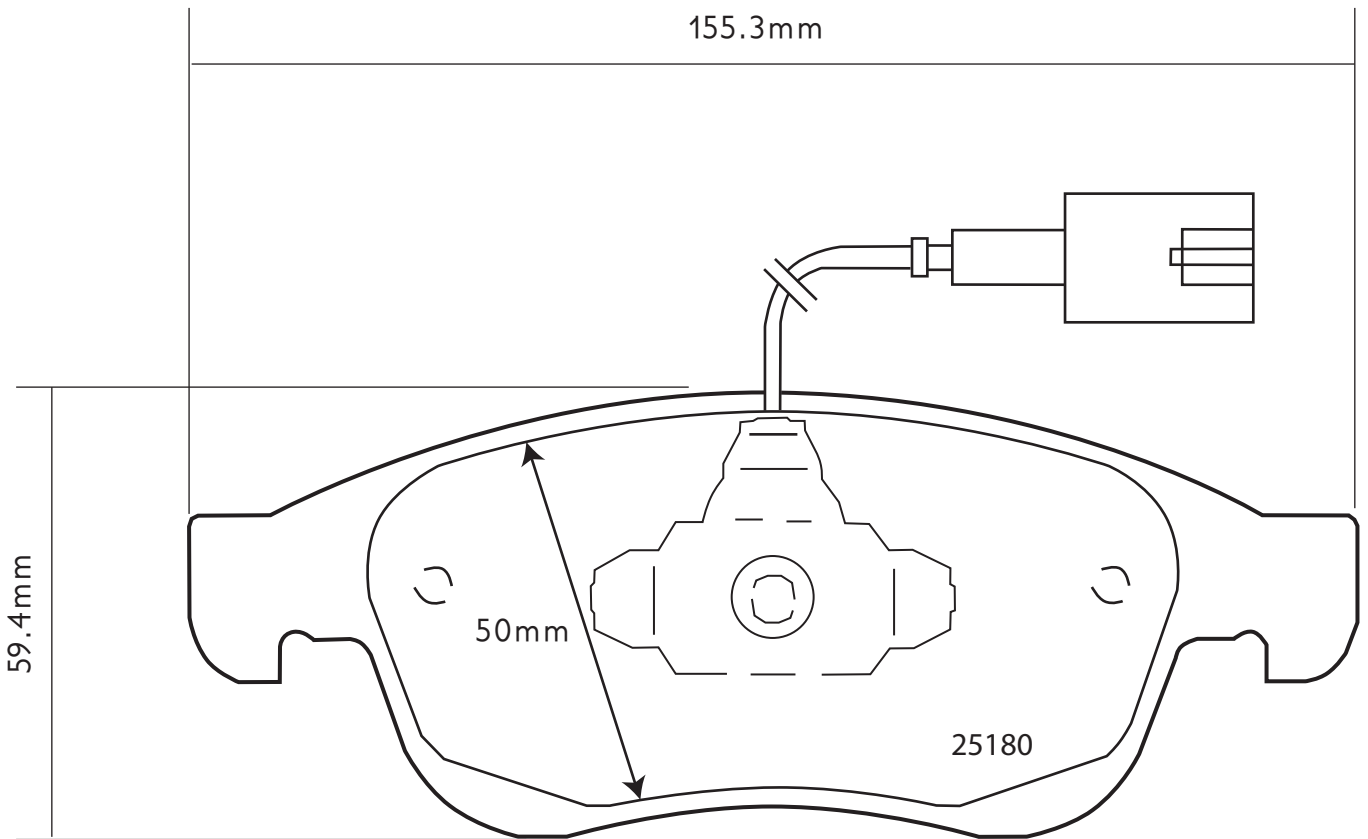
th 17.3mm

07.B314.77

th 16mm



th 18.5mm

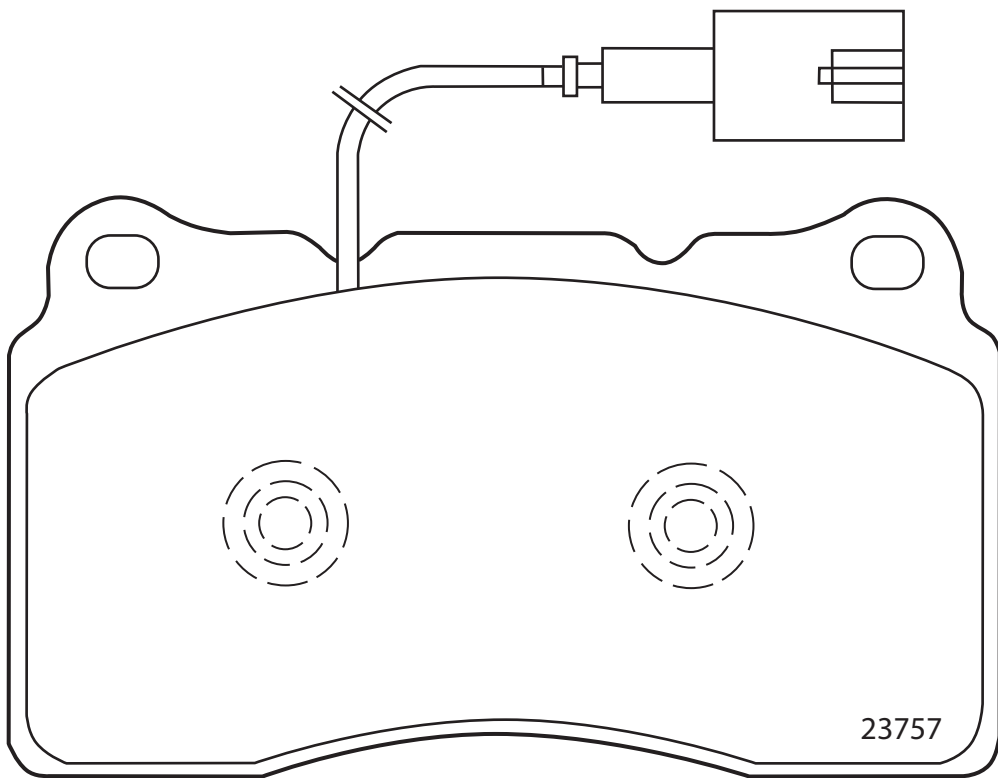
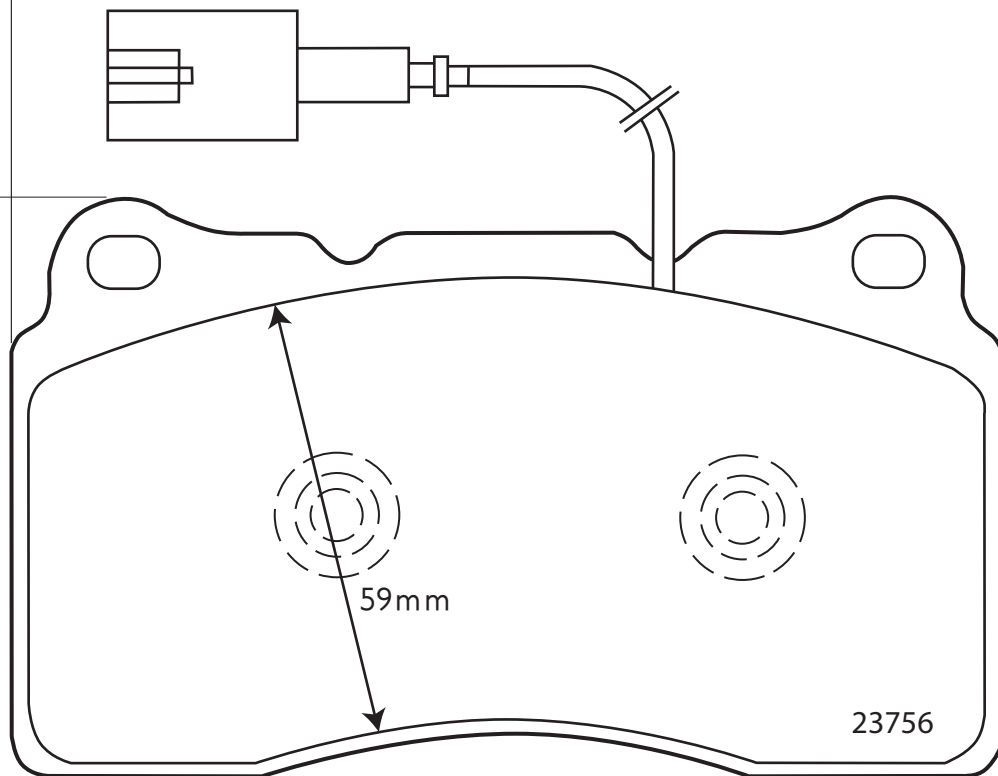


07.B314.80

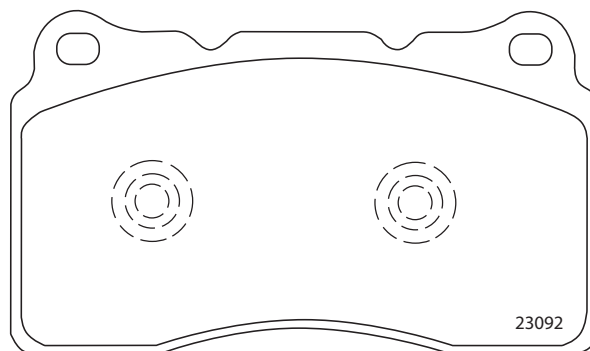
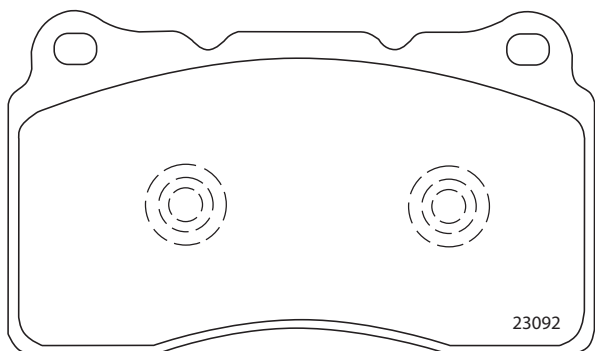
th 15.7mm

131.7mm

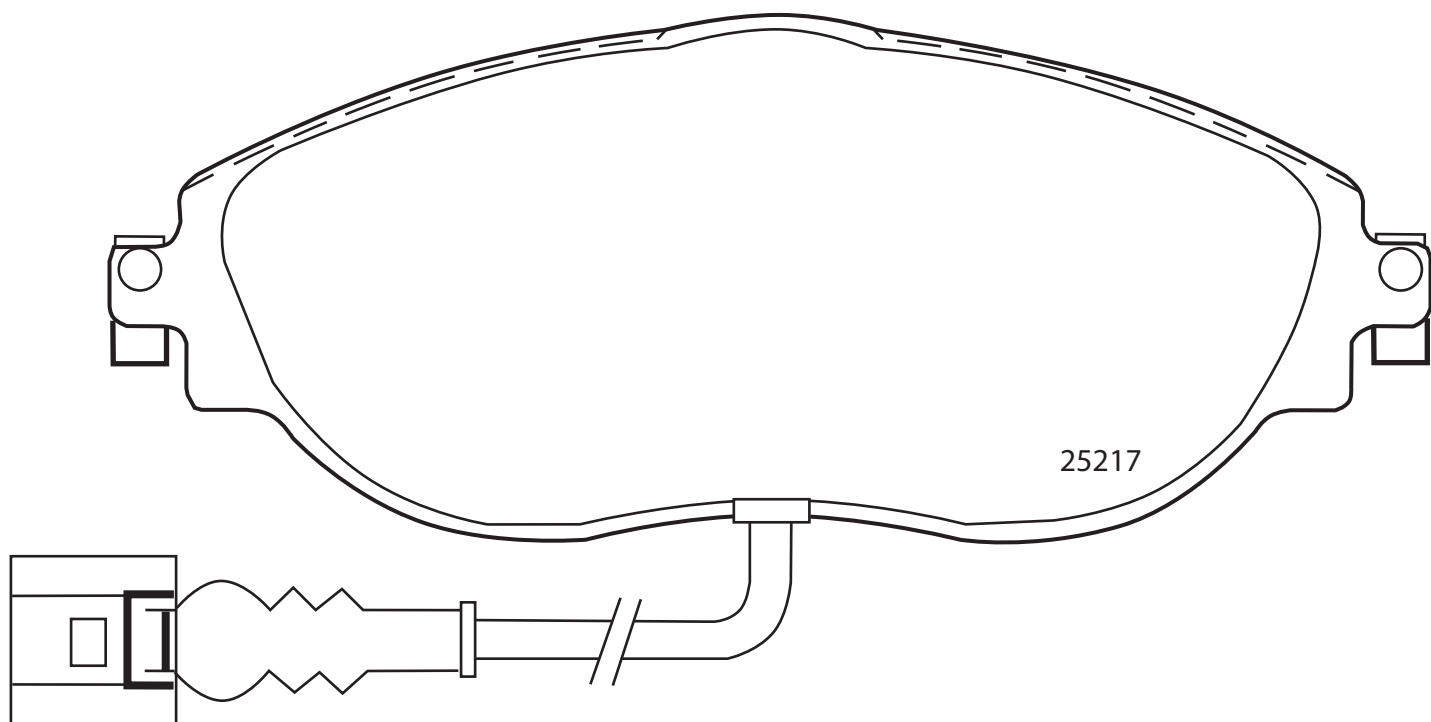
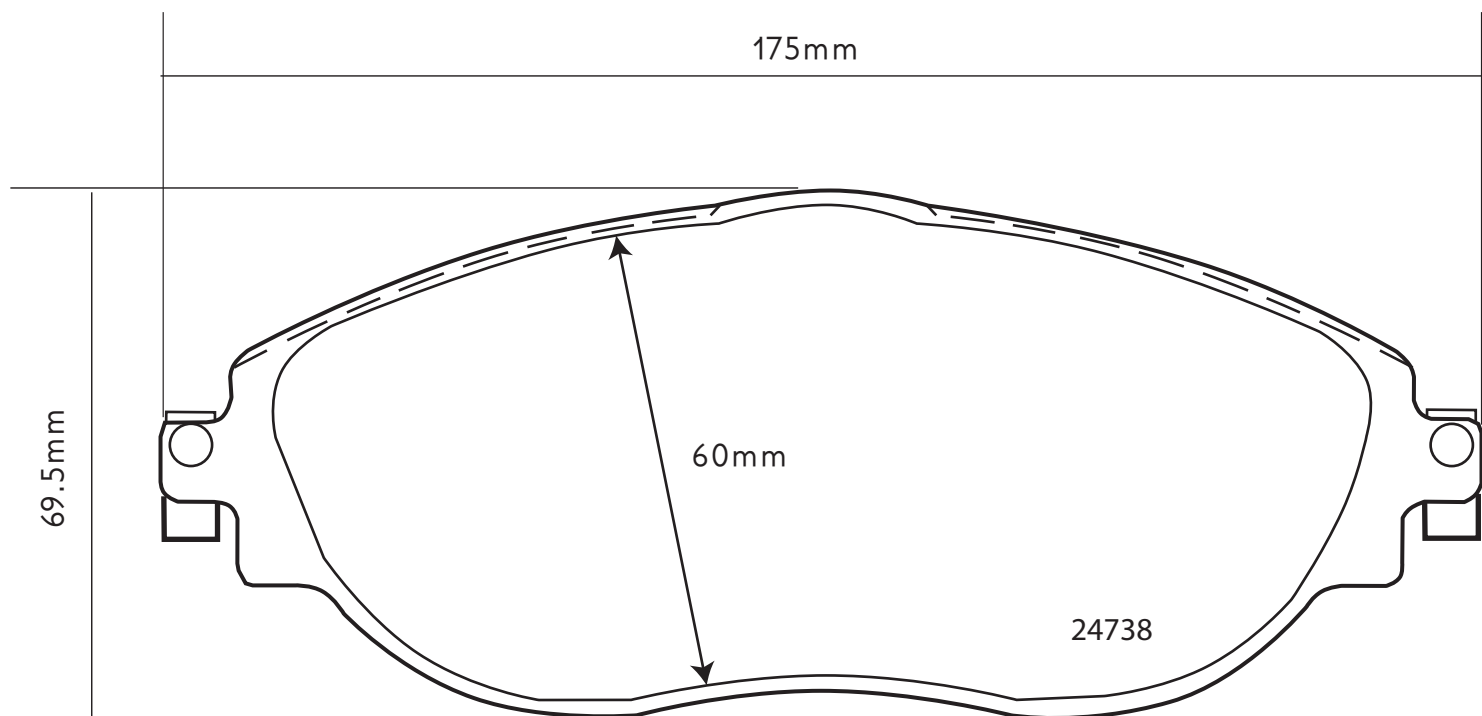
77.2mm



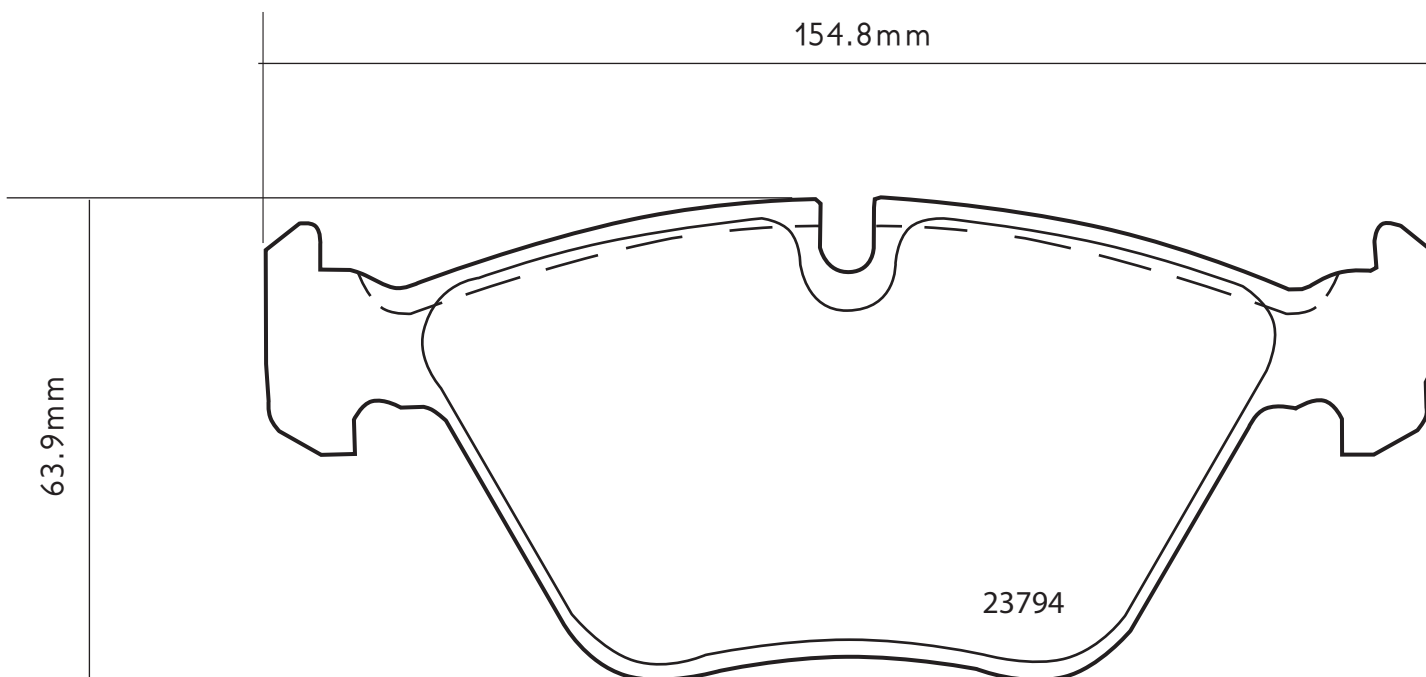
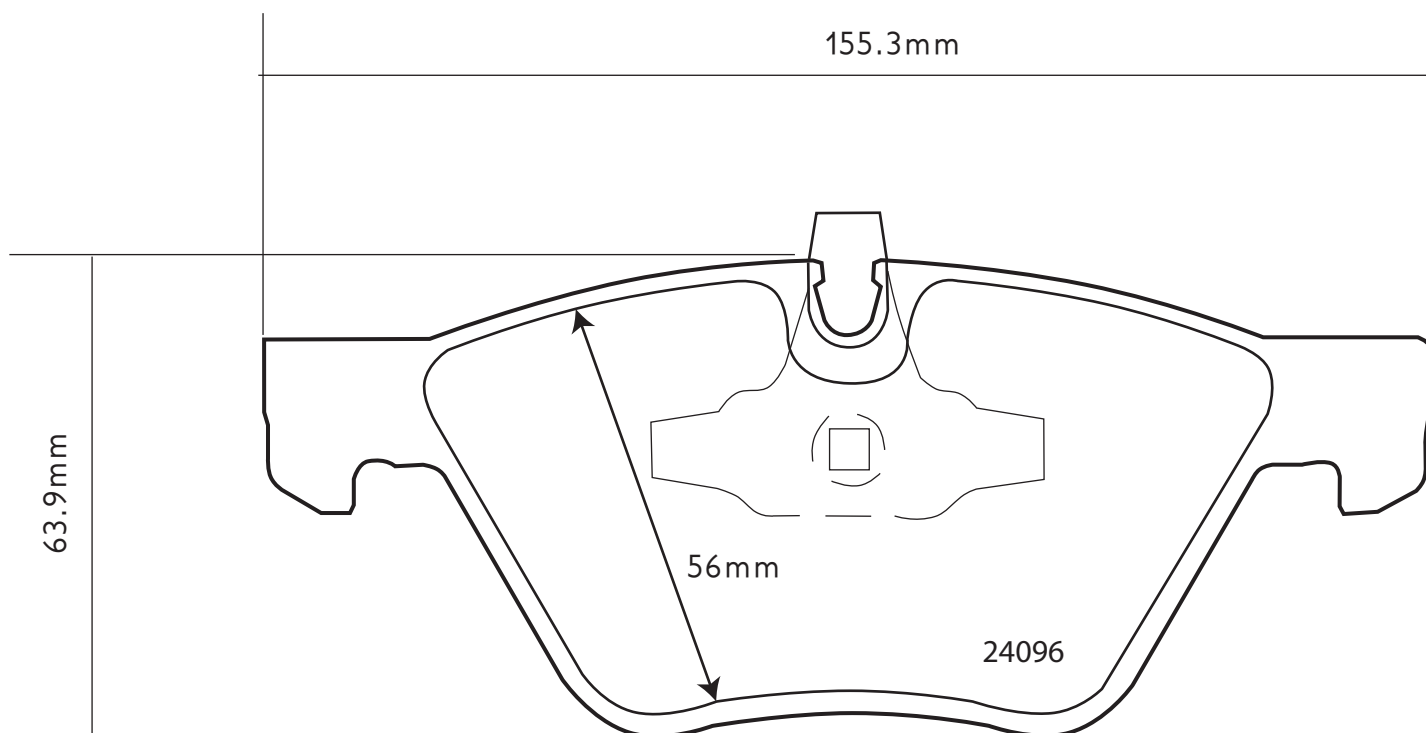
SAME DIMENSIONS AS ABOVE PADS



th 20mm

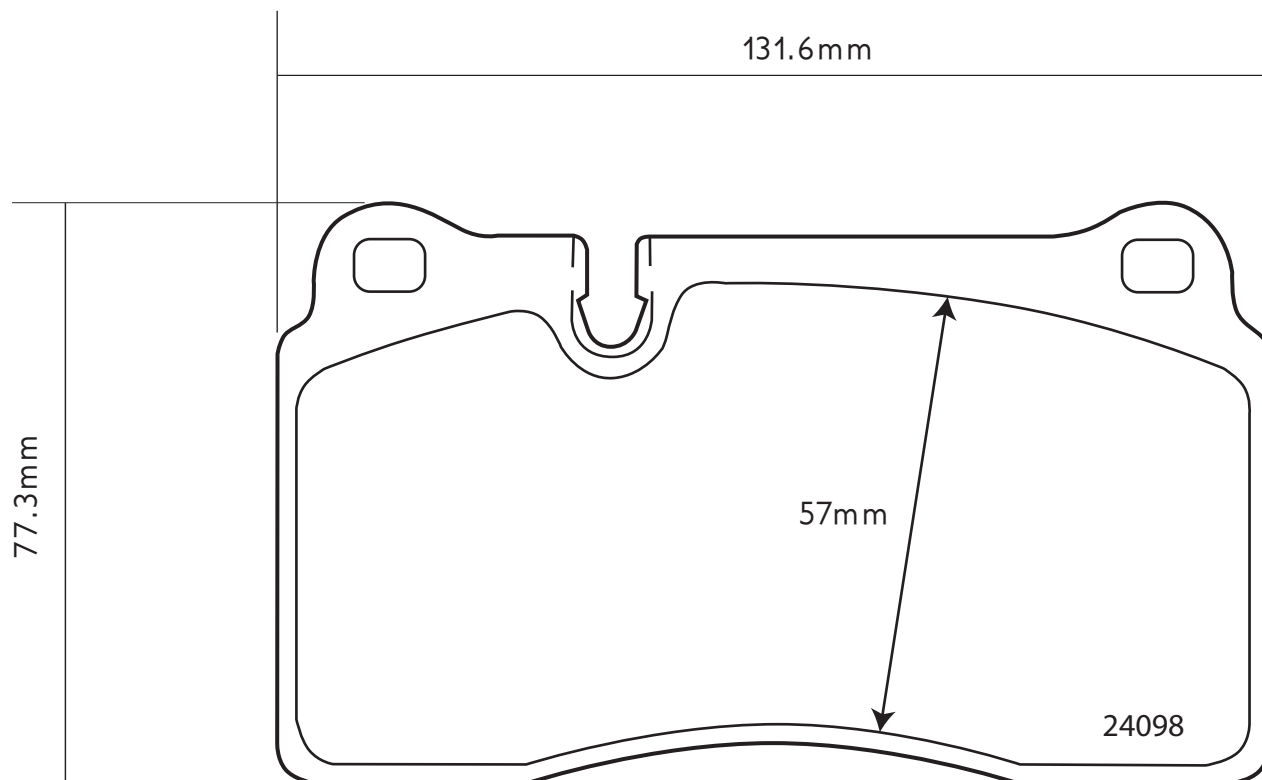


th 20.3mm



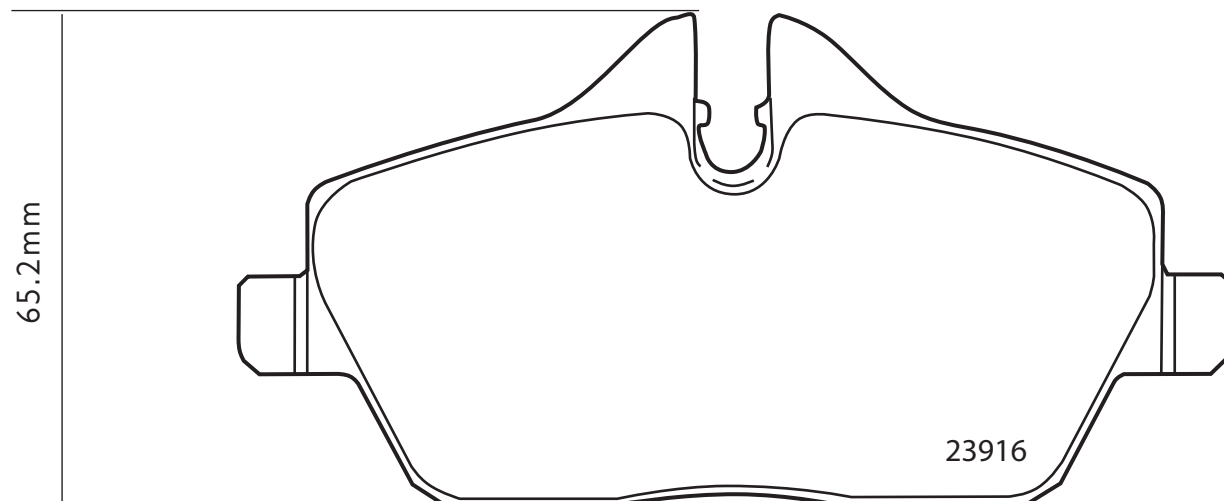
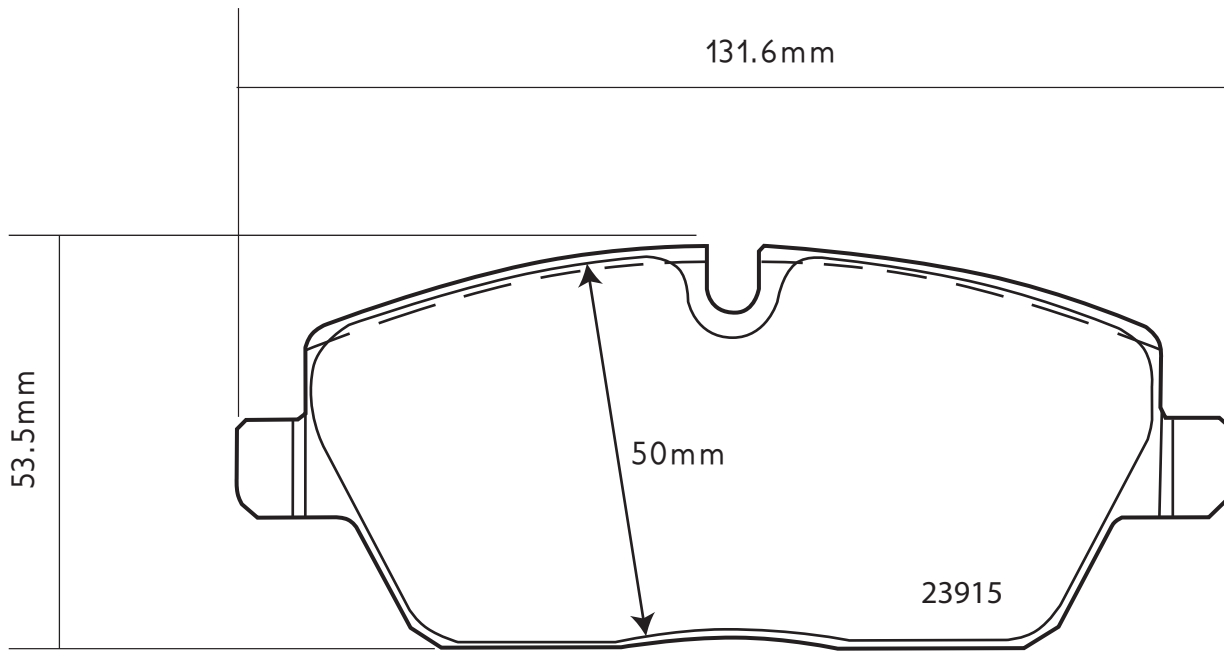
07.B314.83

th 17.1mm

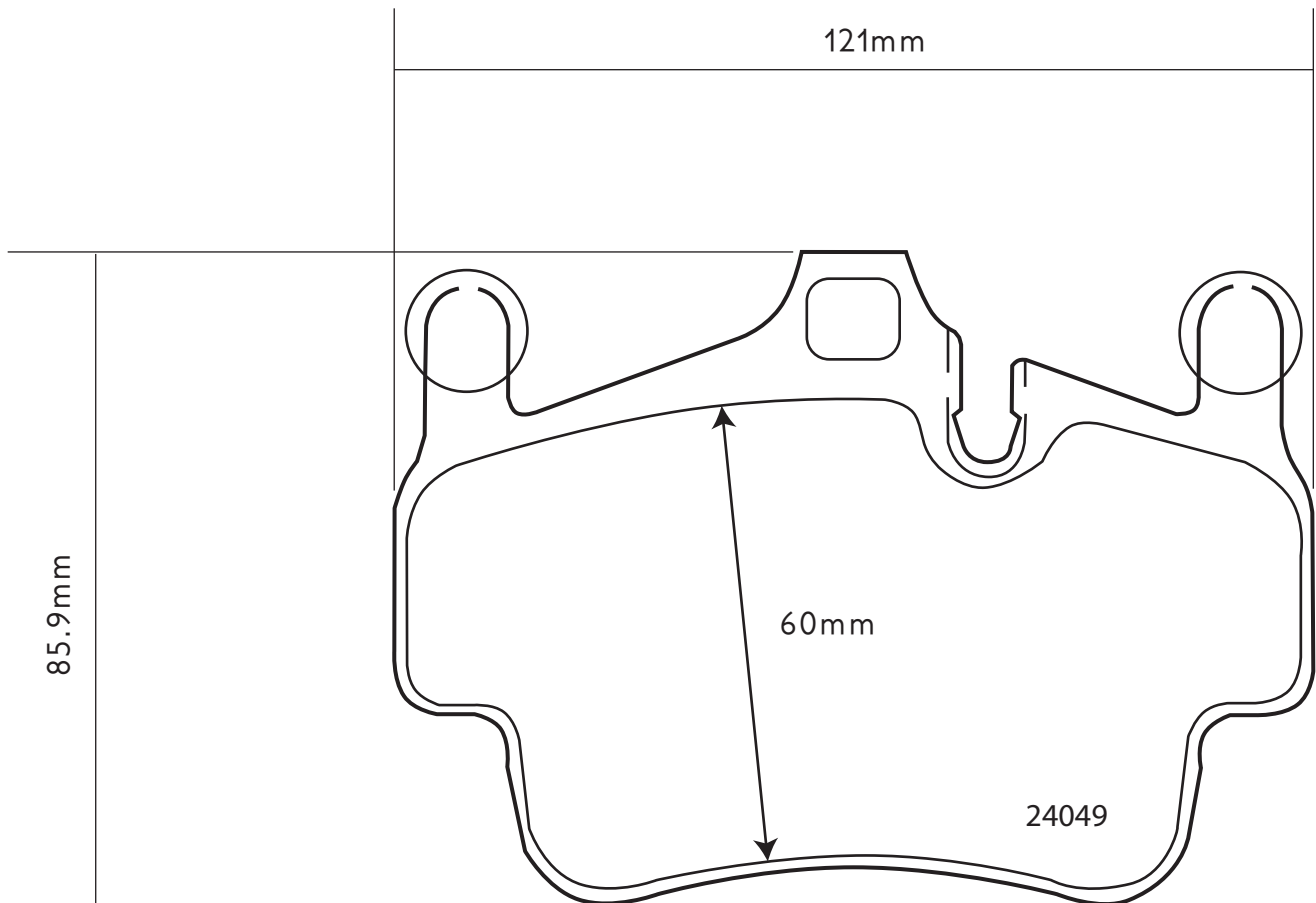


07.B314.84

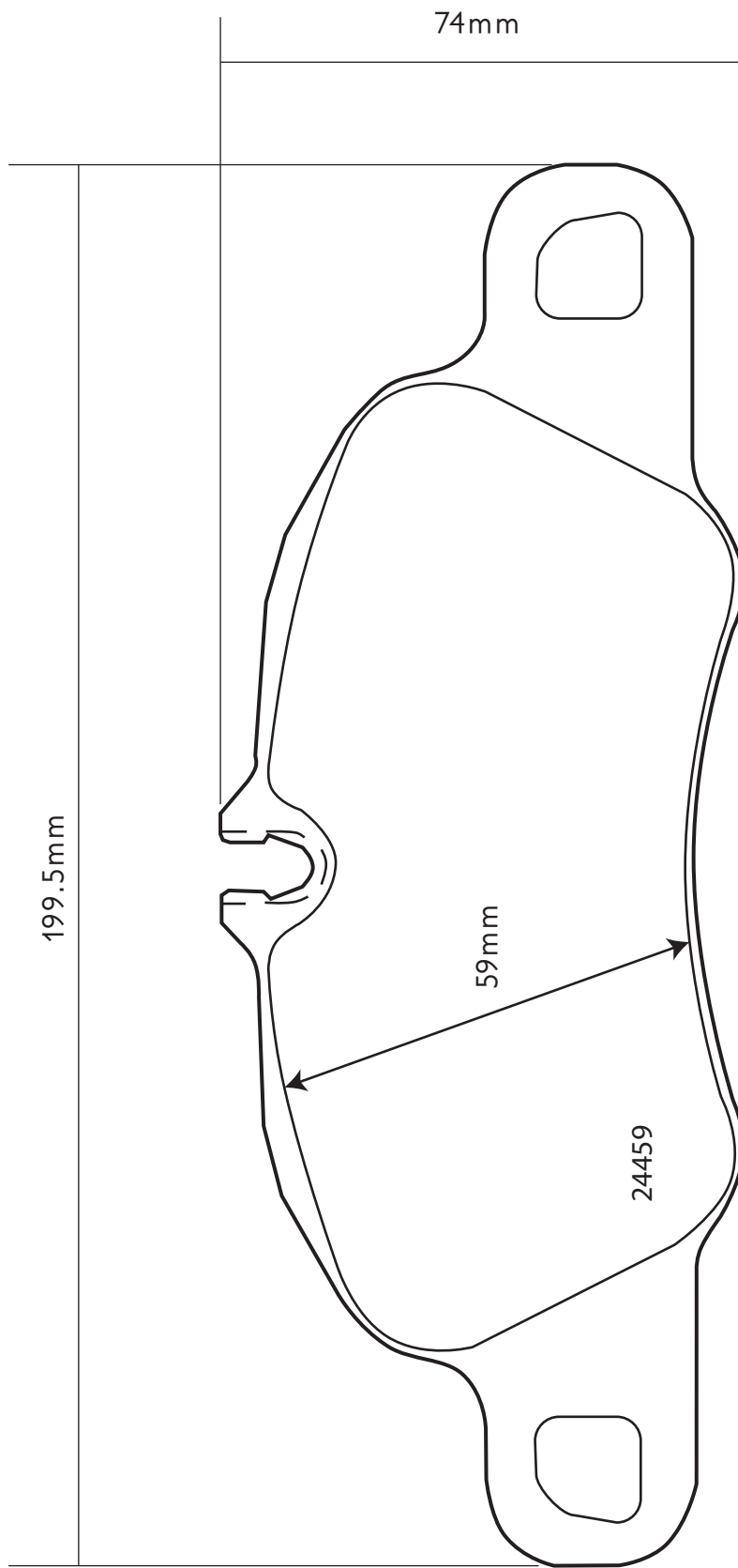
th 17.8mm



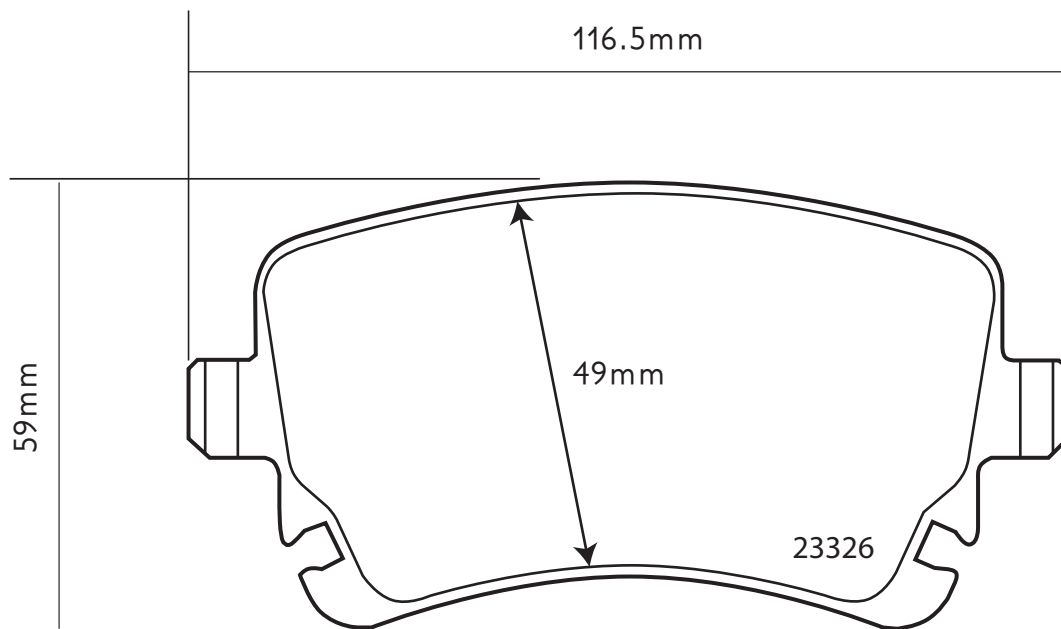
th 17mm



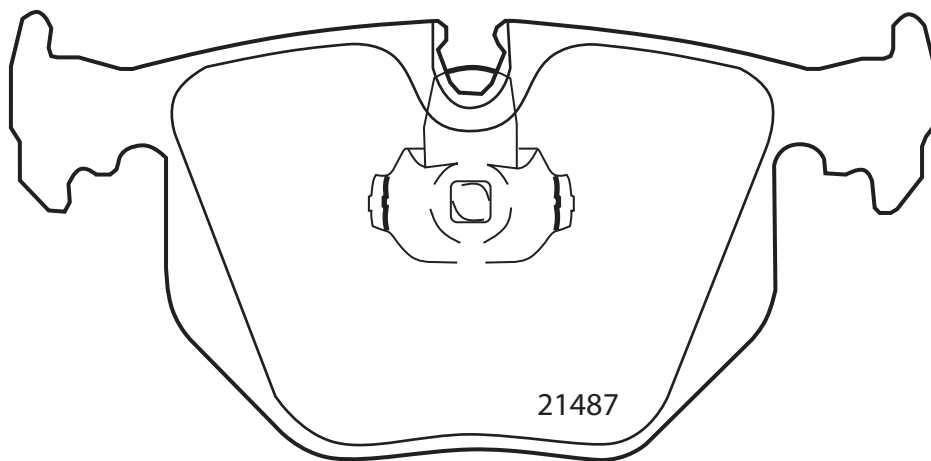
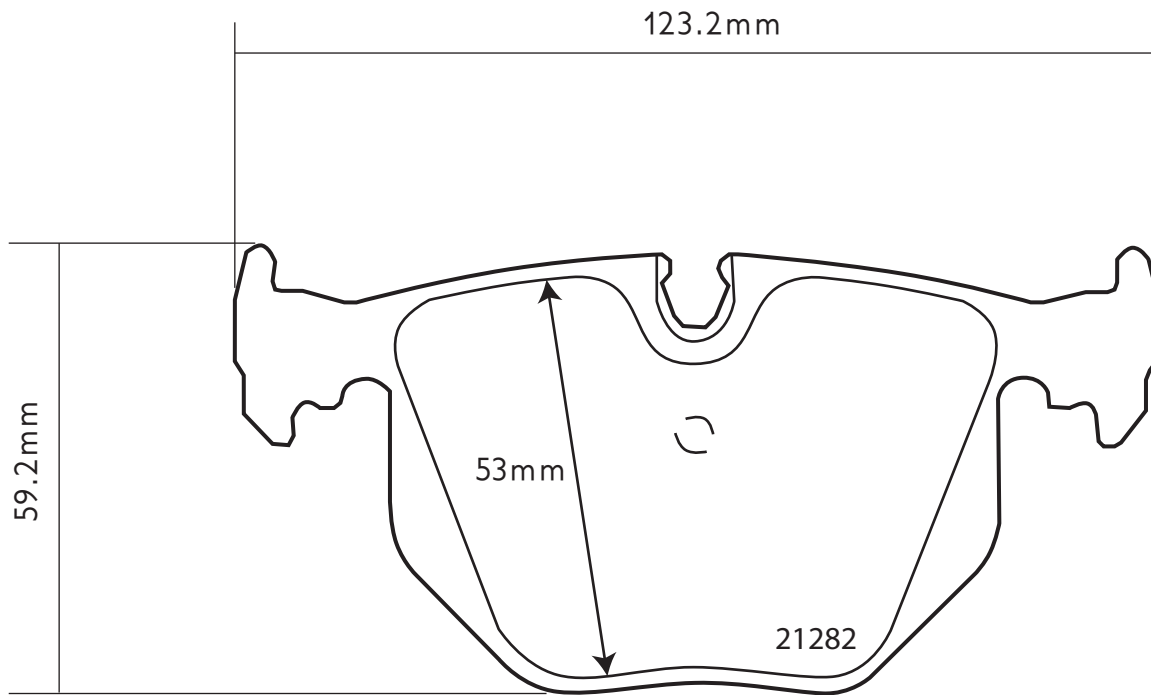
th 18.5mm



th 17.2mm

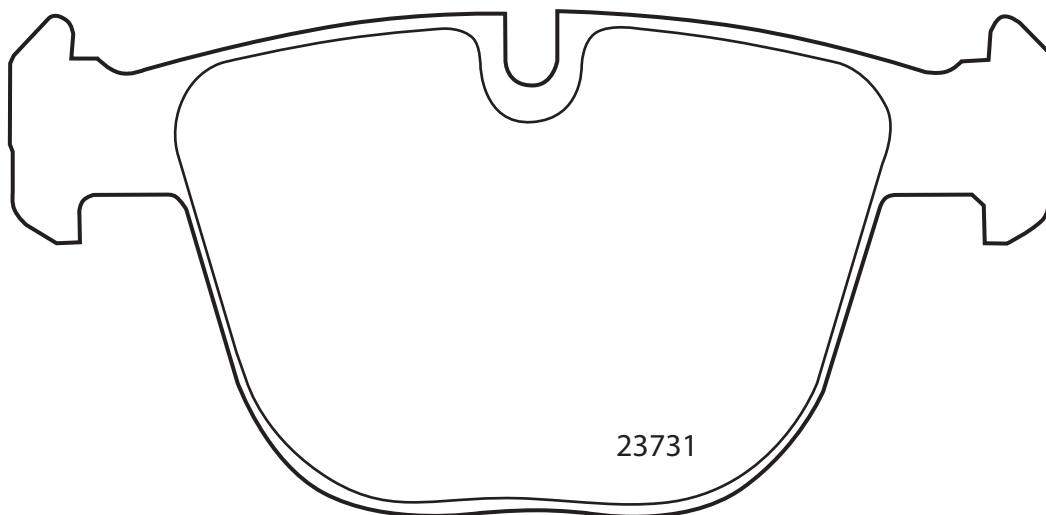
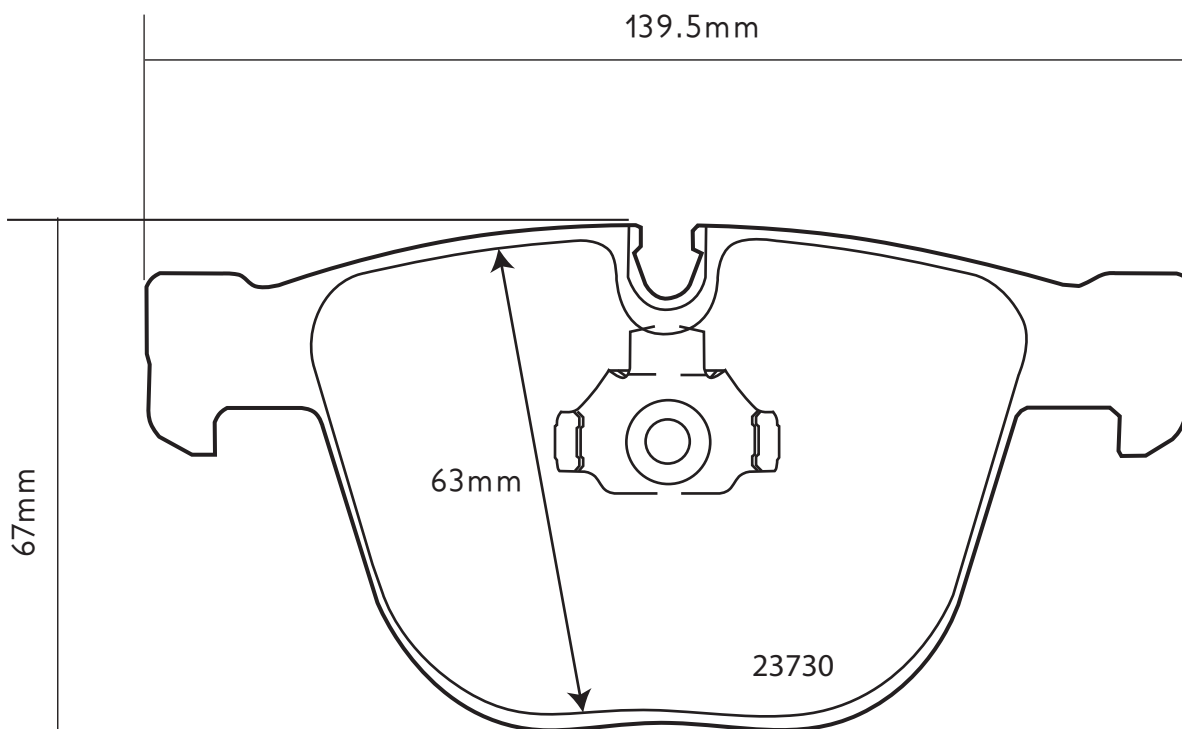


th 17.3mm

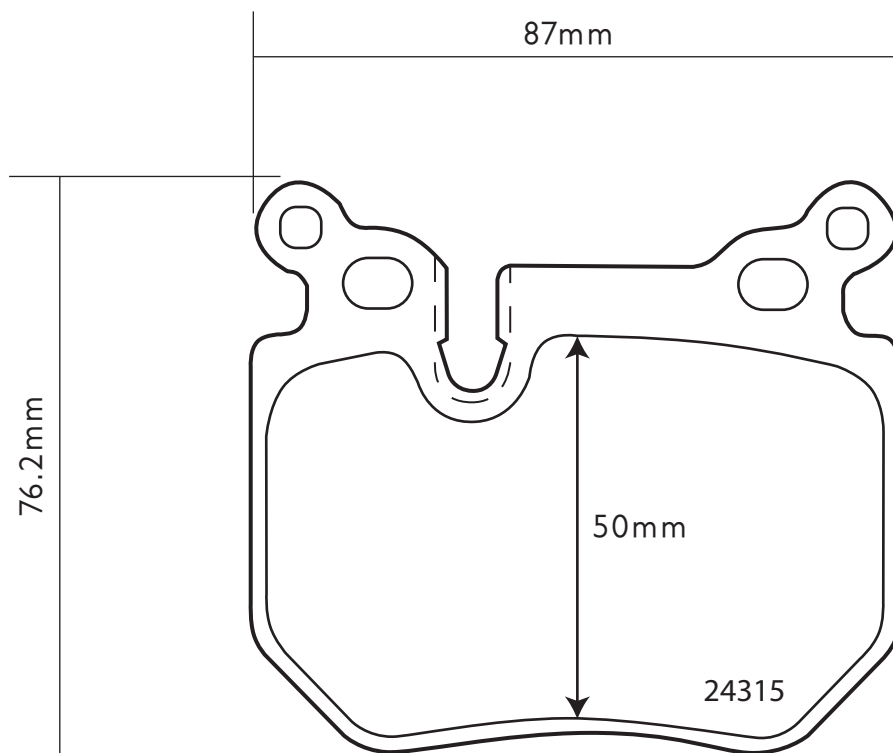


07.B315.02

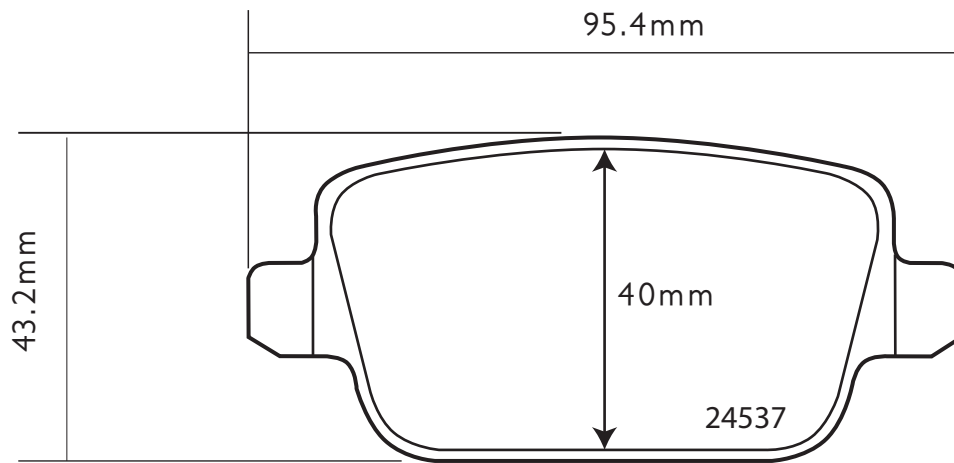
th 17mm



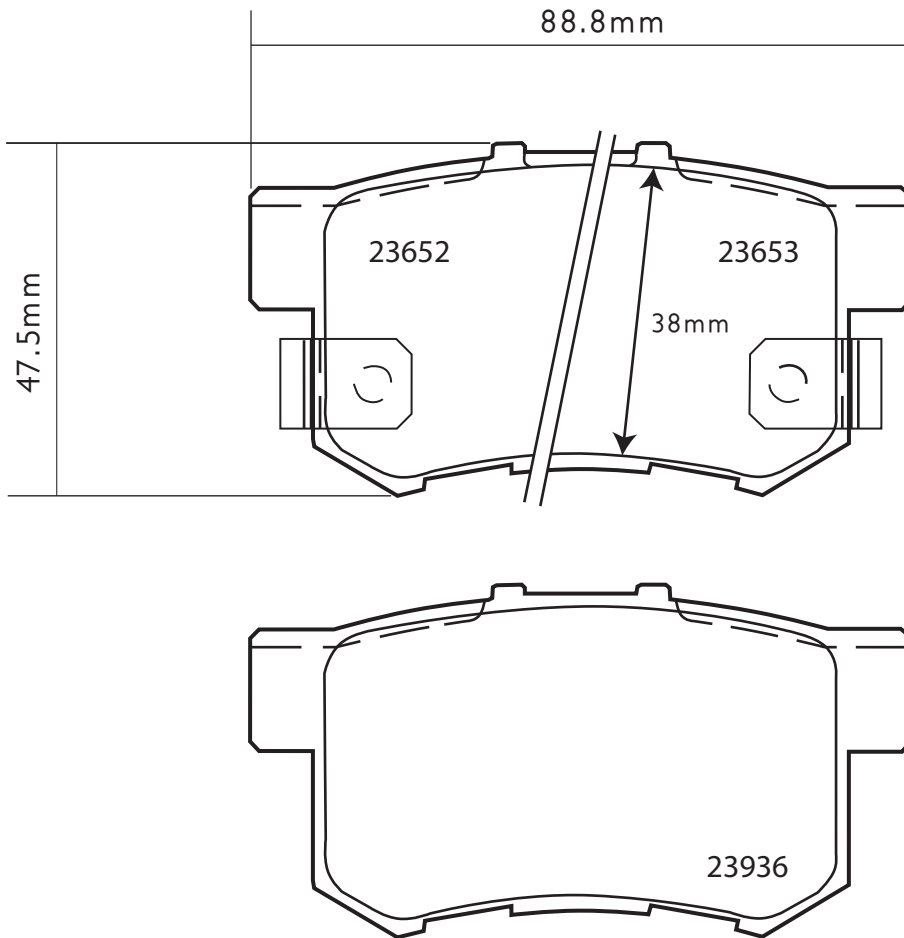
th 17.1mm



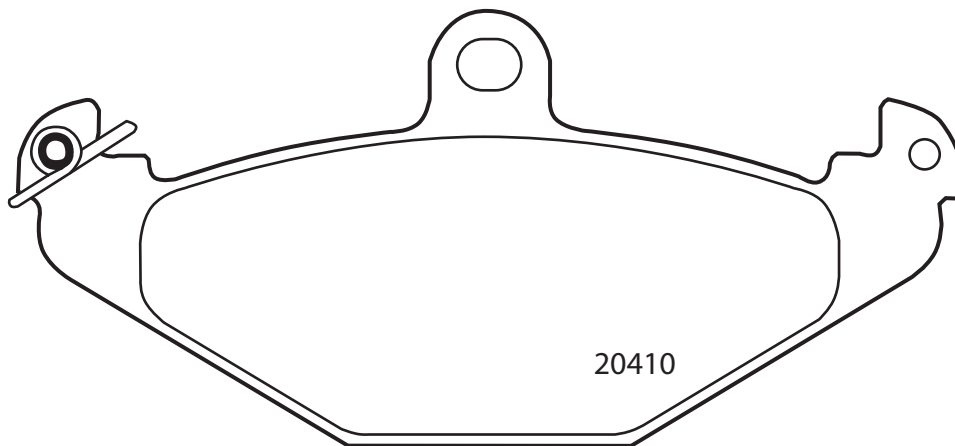
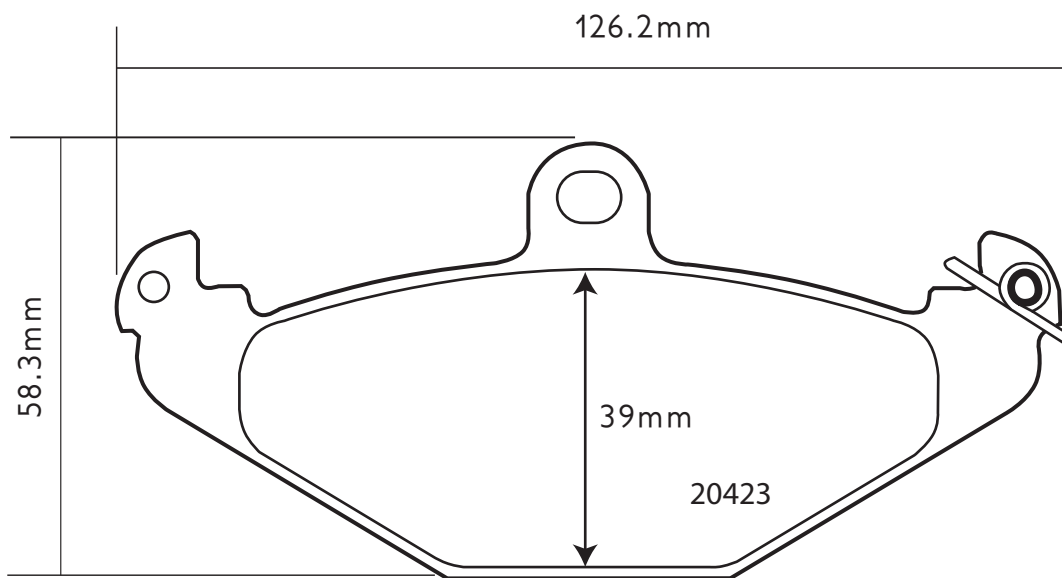
th 16mm



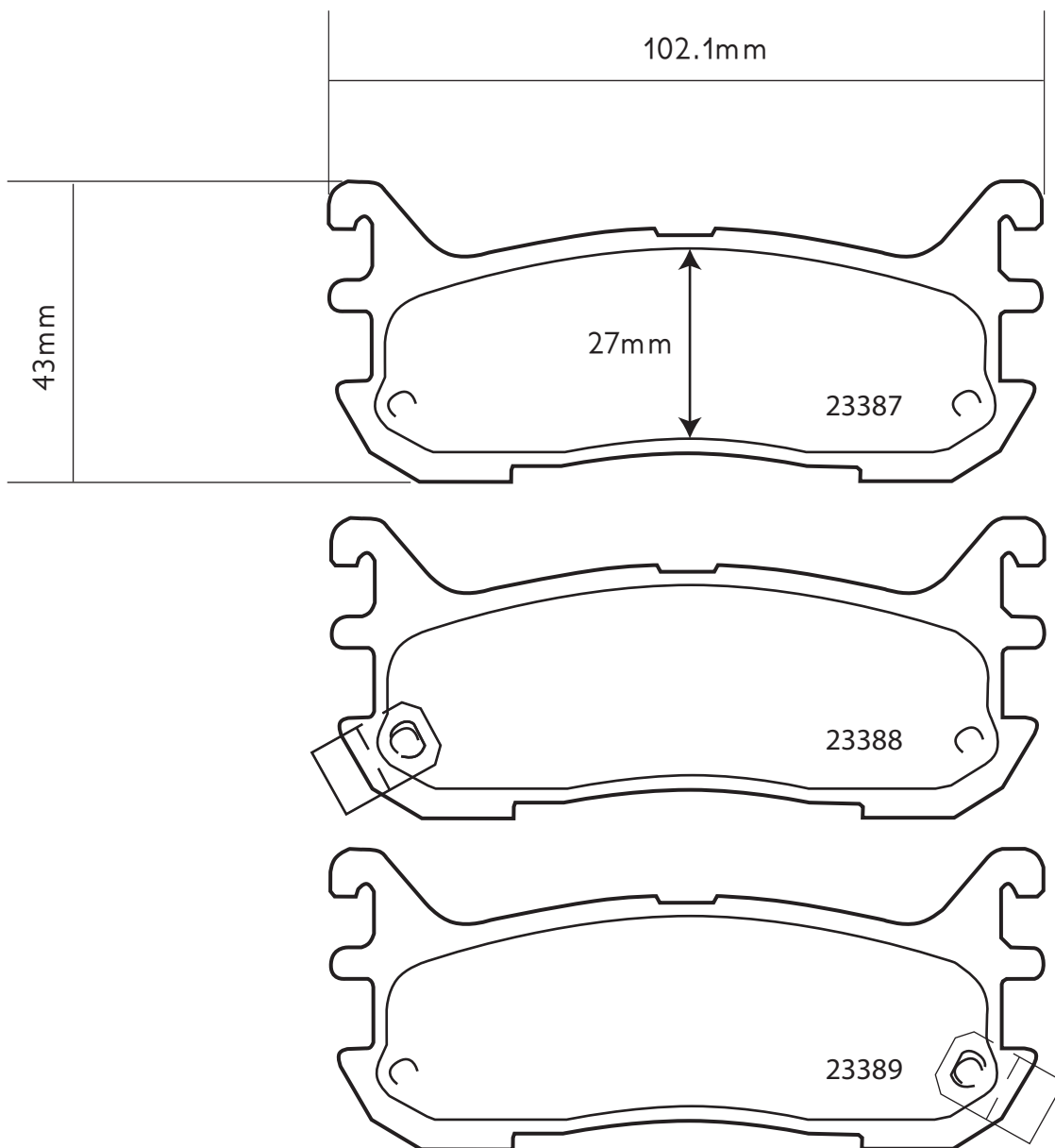
th 14.8mm



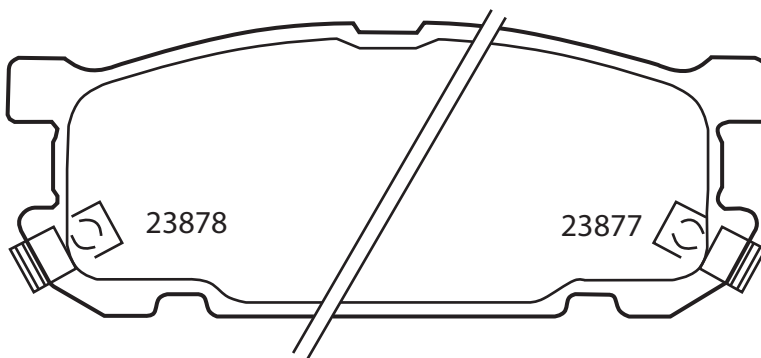
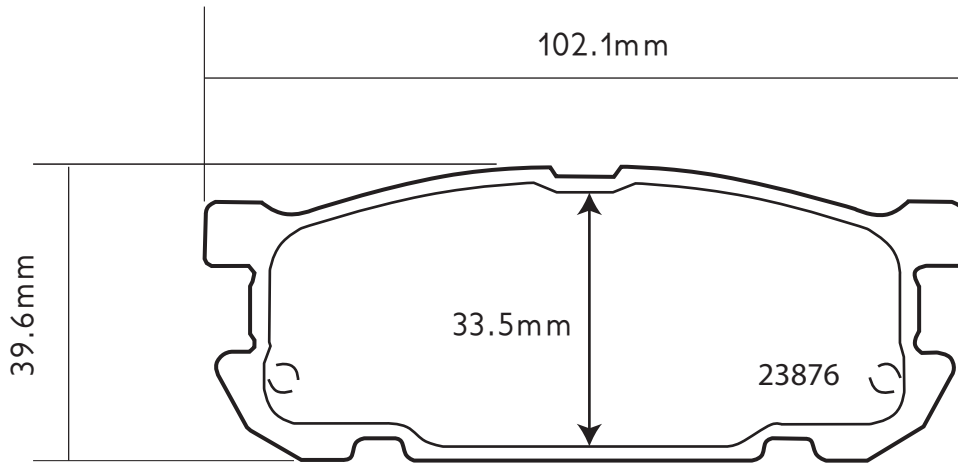
th 13mm



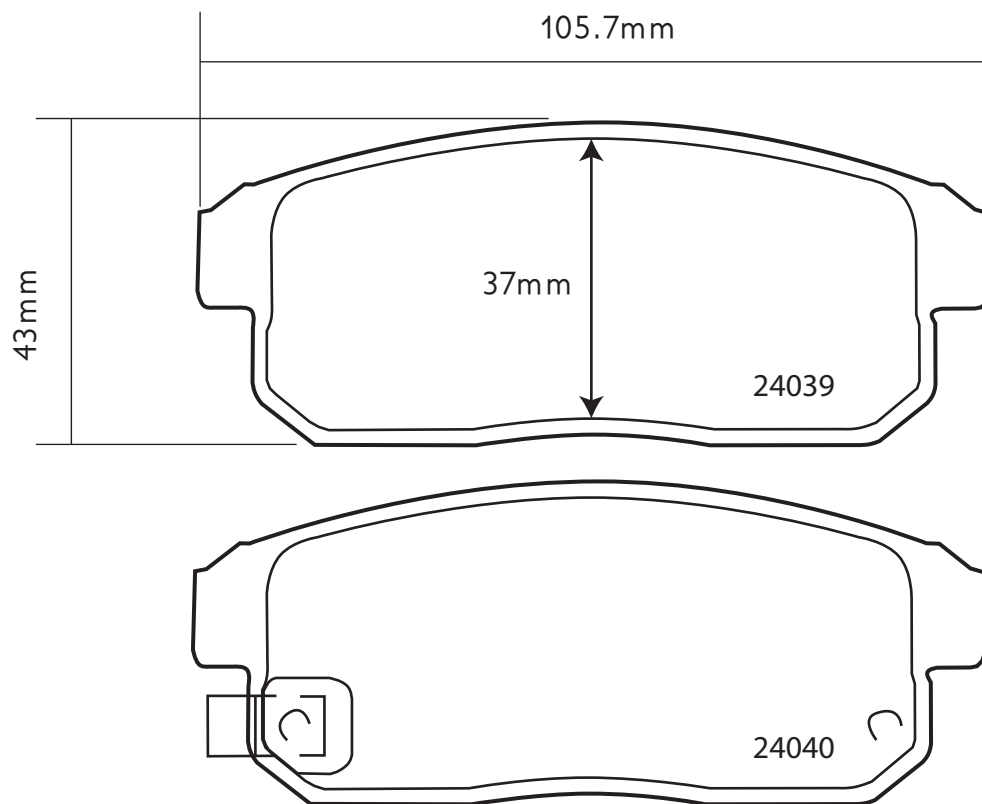
th 13mm



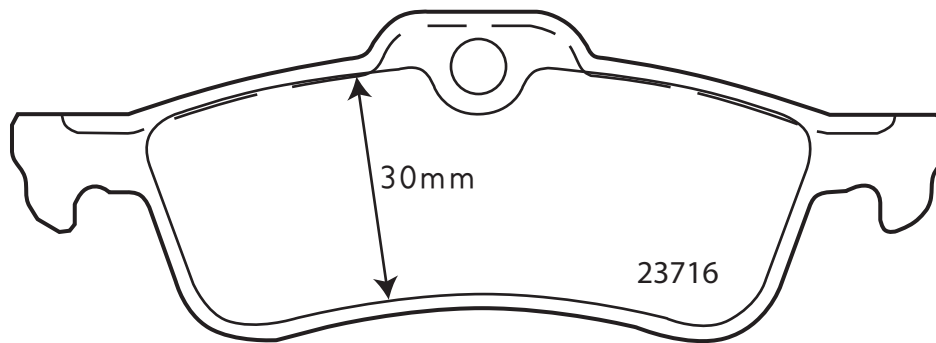
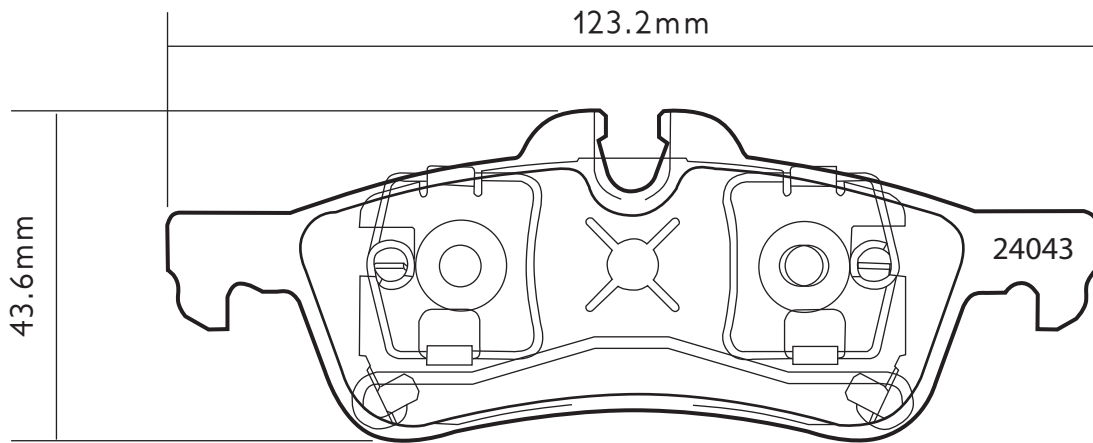
th 12mm



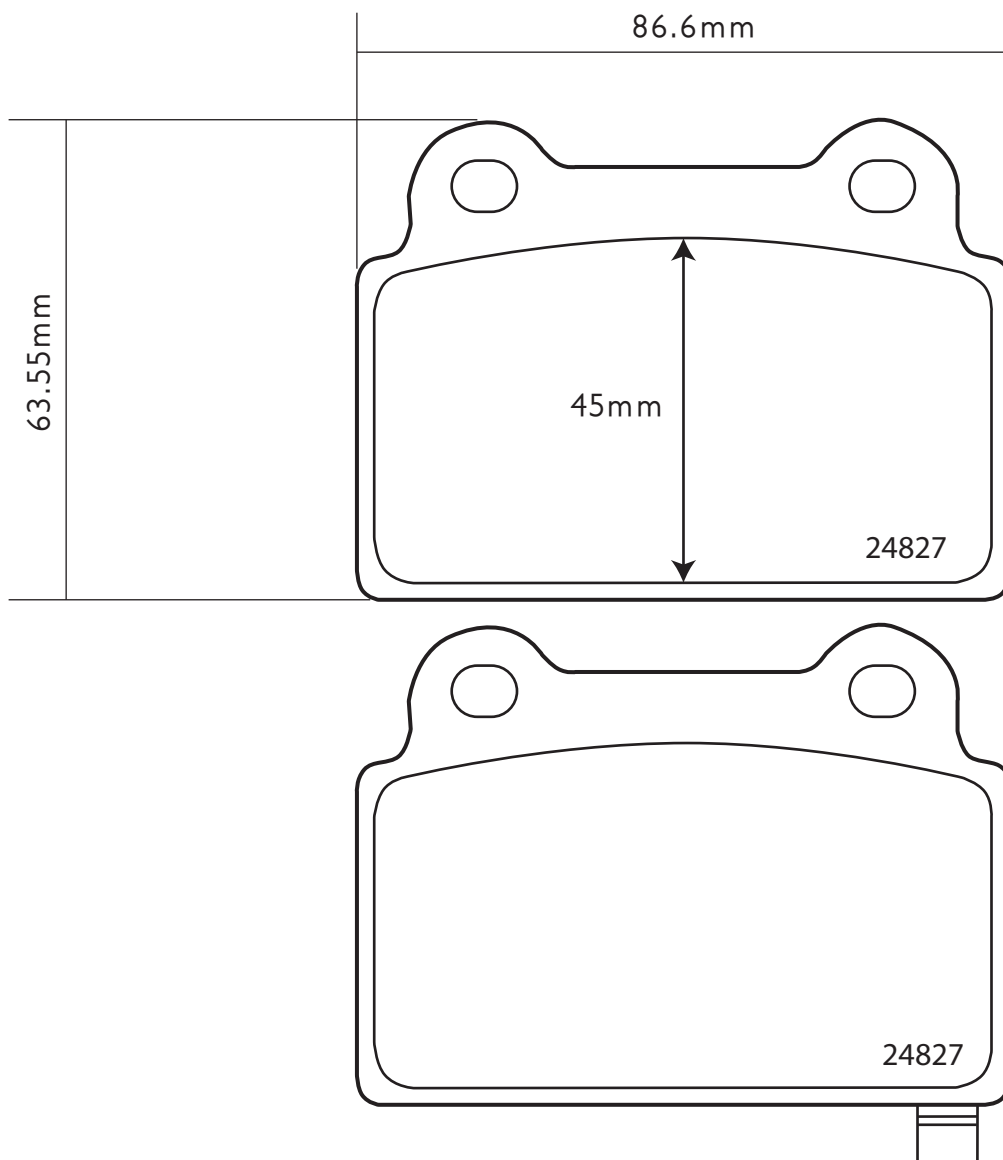
th 14.4mm

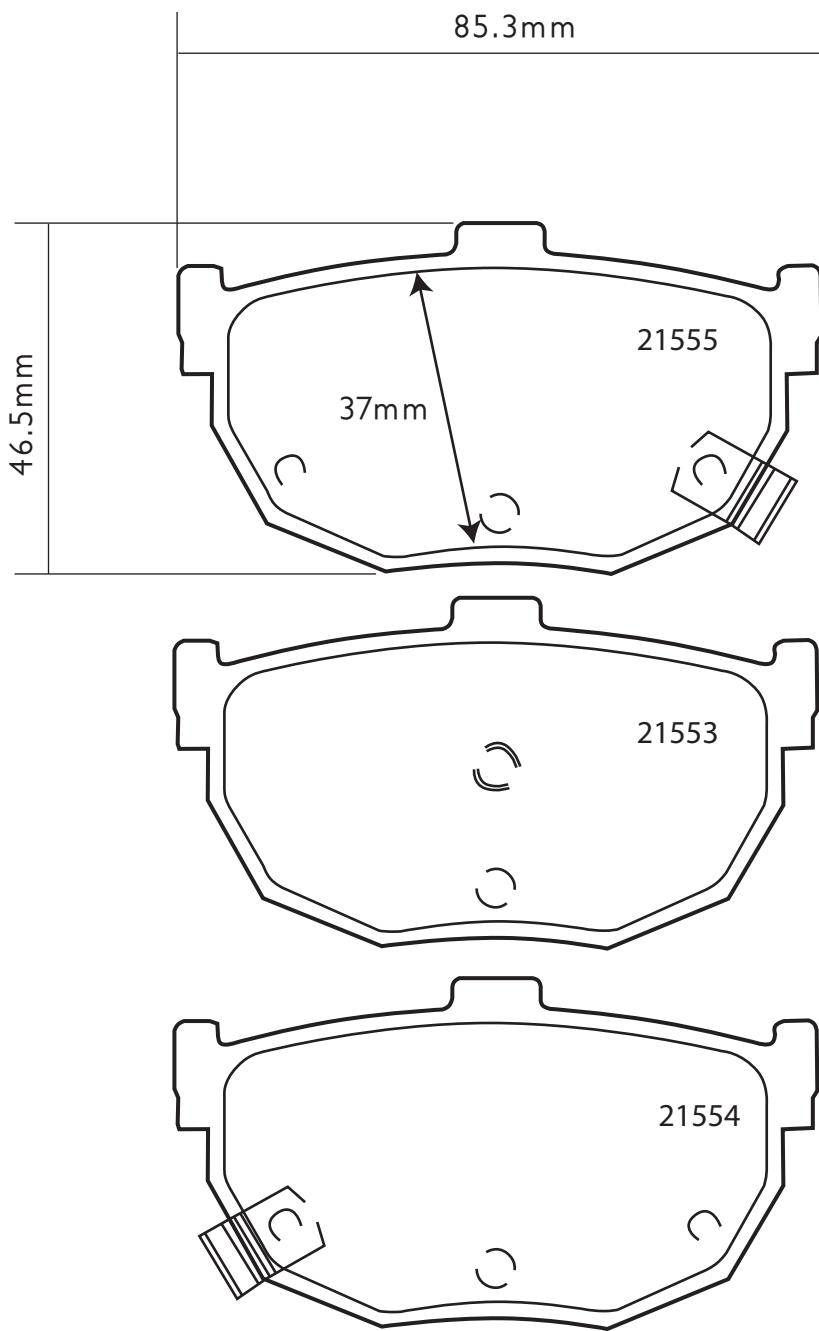


th 16.3mm



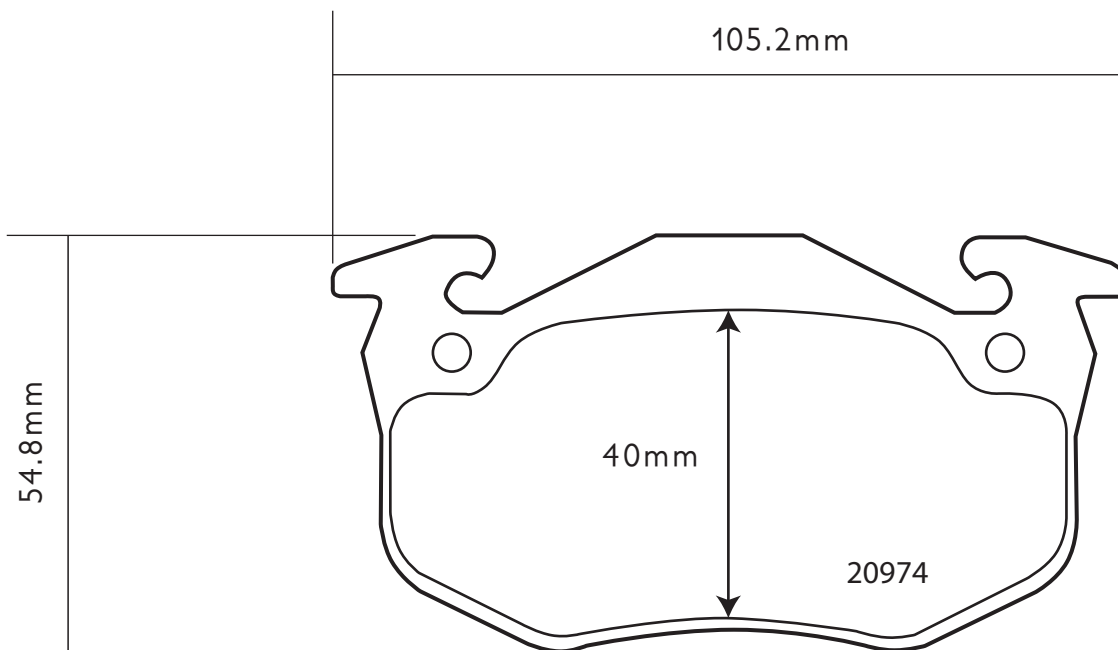
th 14.1mm



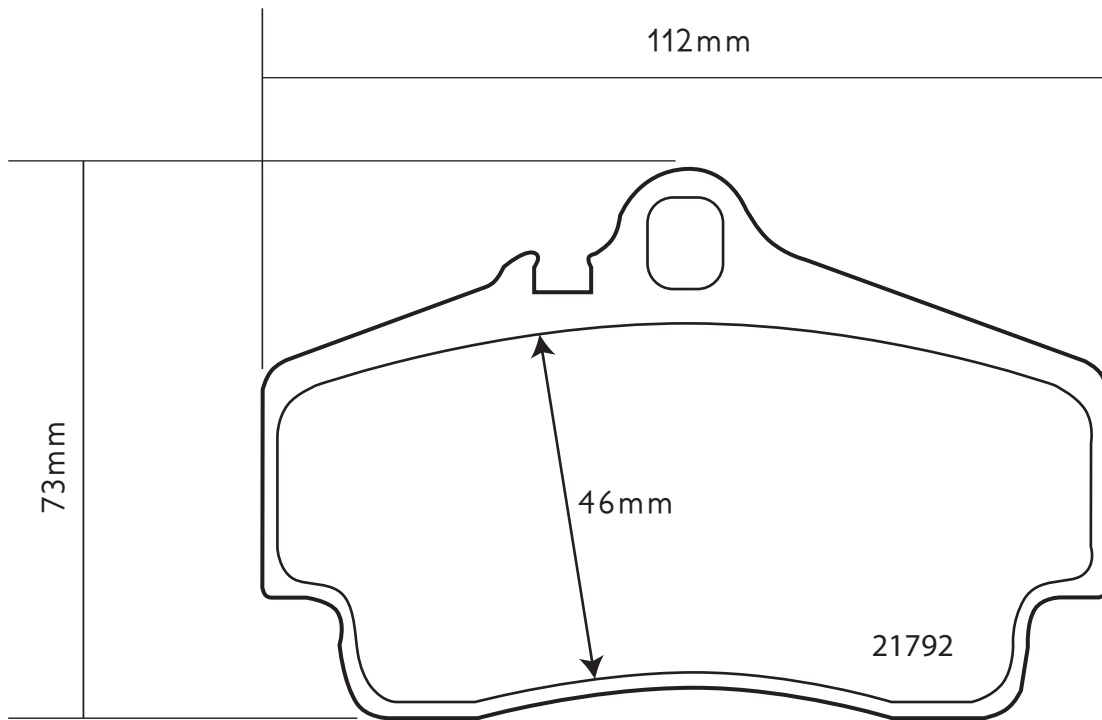


th 14mm

th 11mm

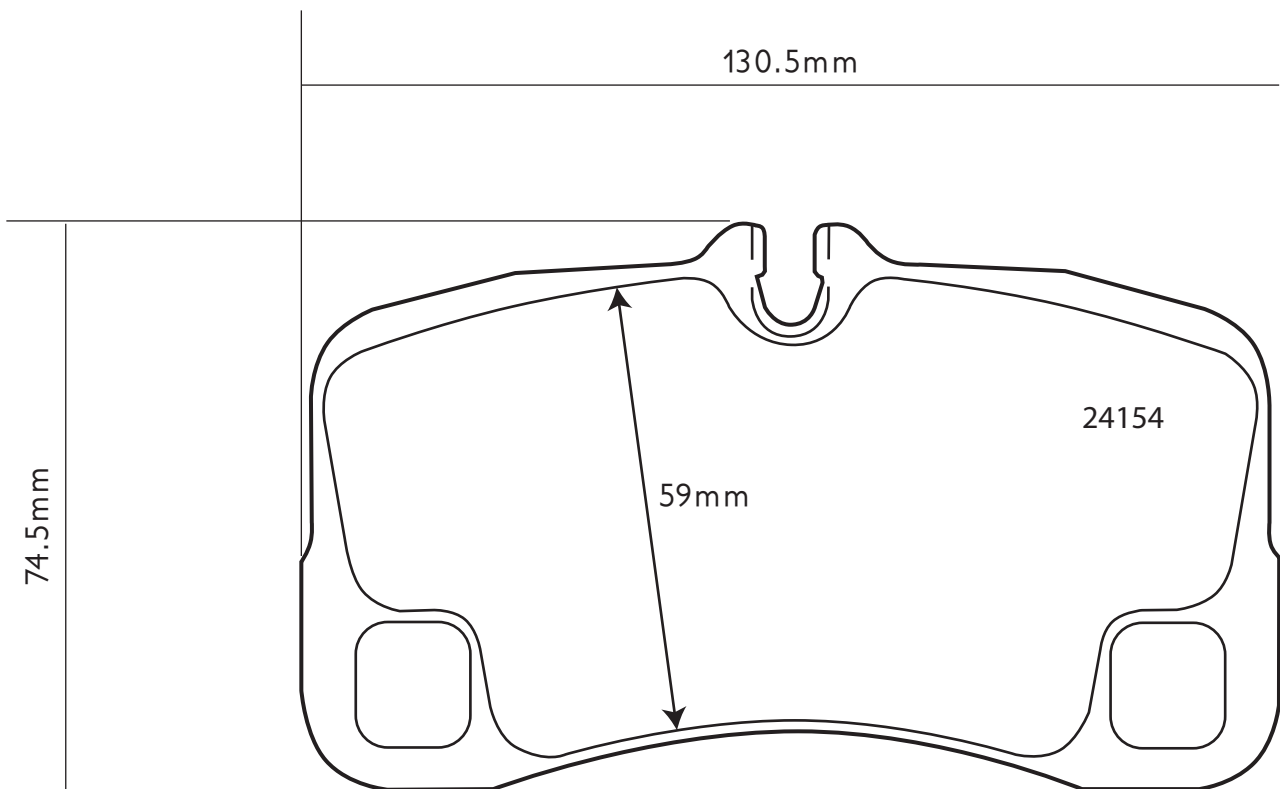


th 15.5mm

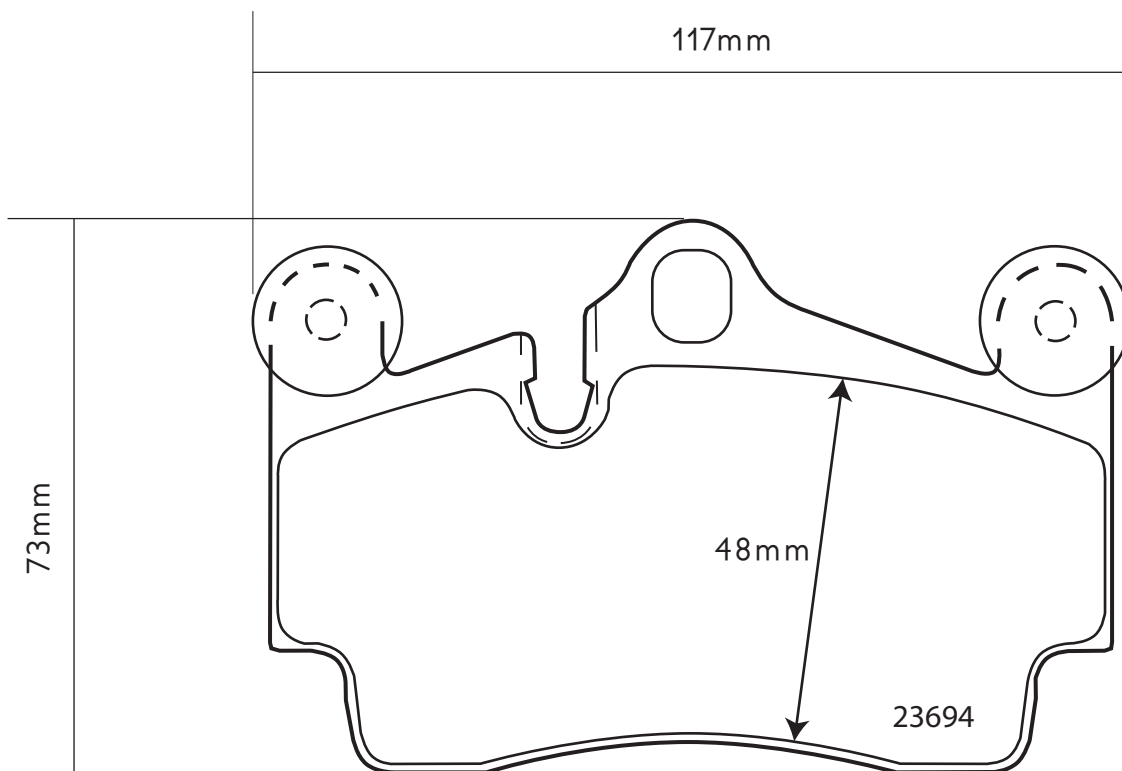


07.B315.15

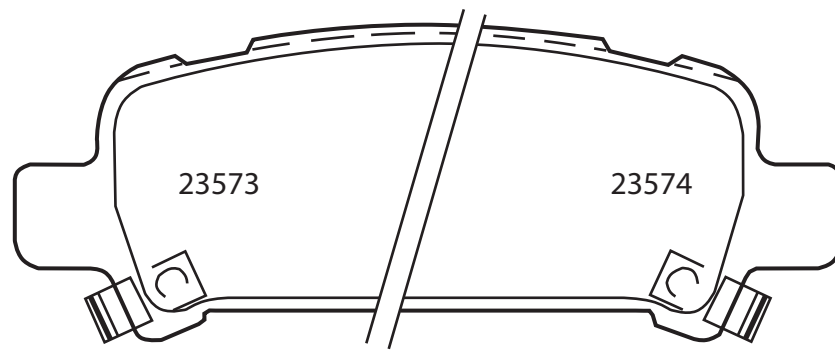
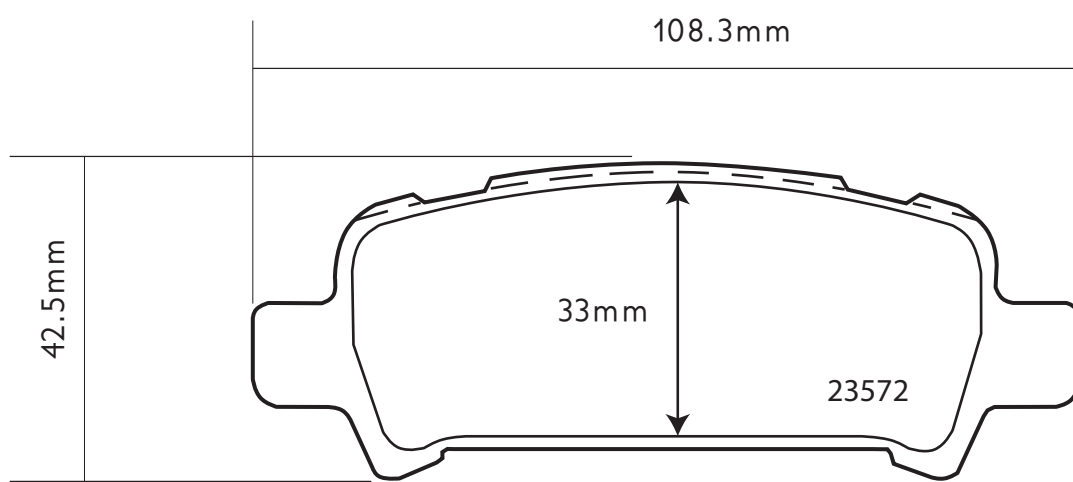
th 17mm



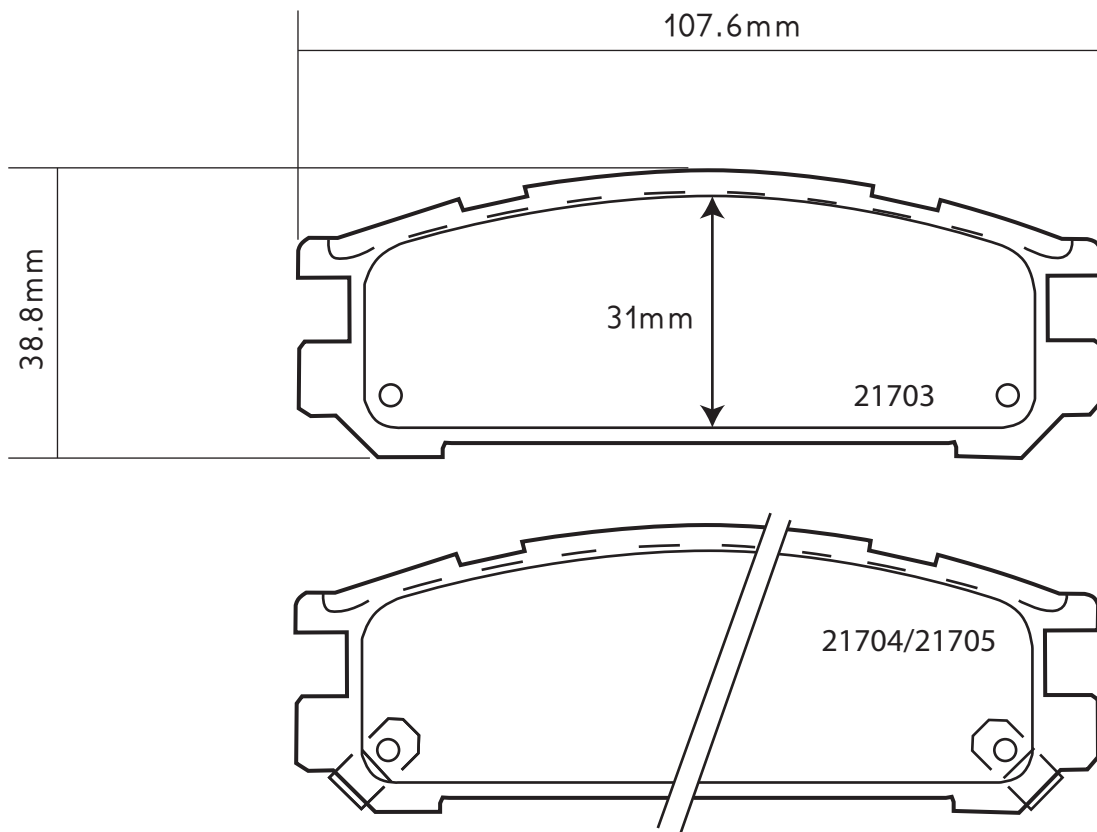
th 16.7mm



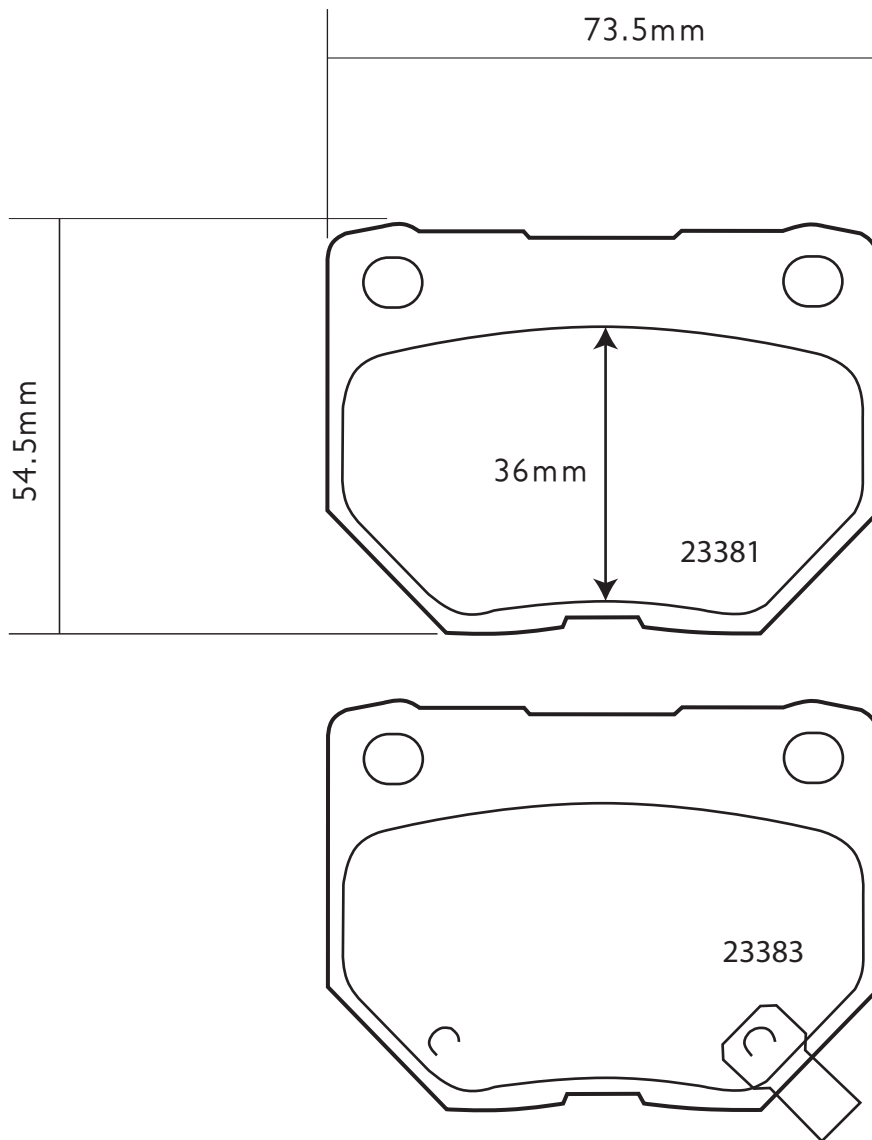
th 14.5mm



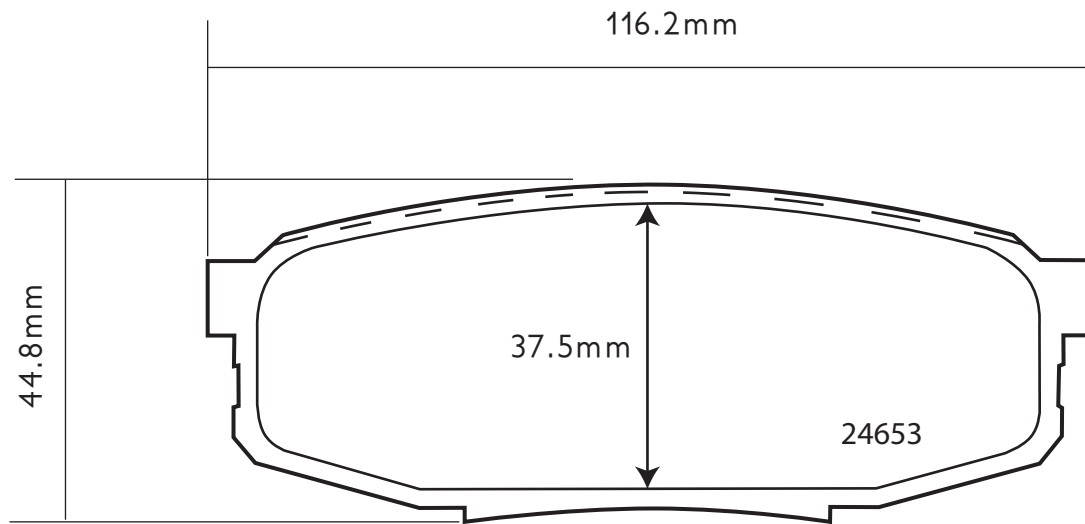
th 14.8mm



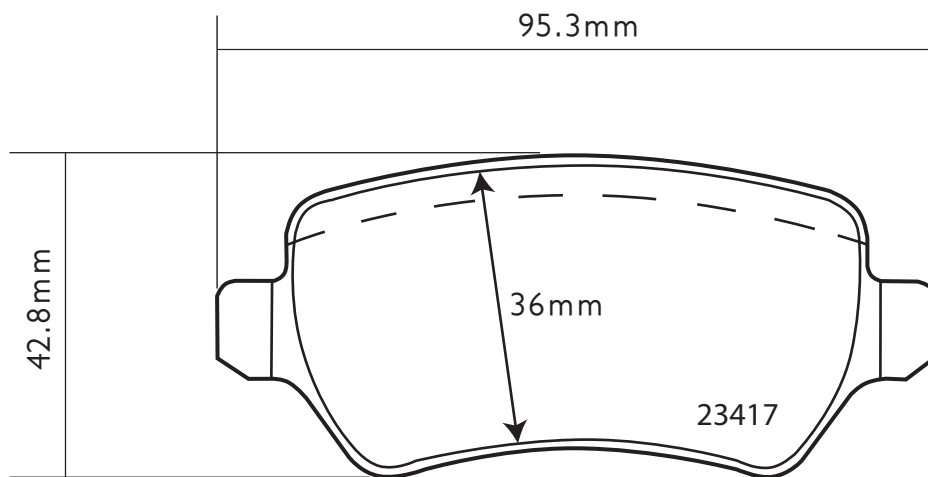
th 16mm



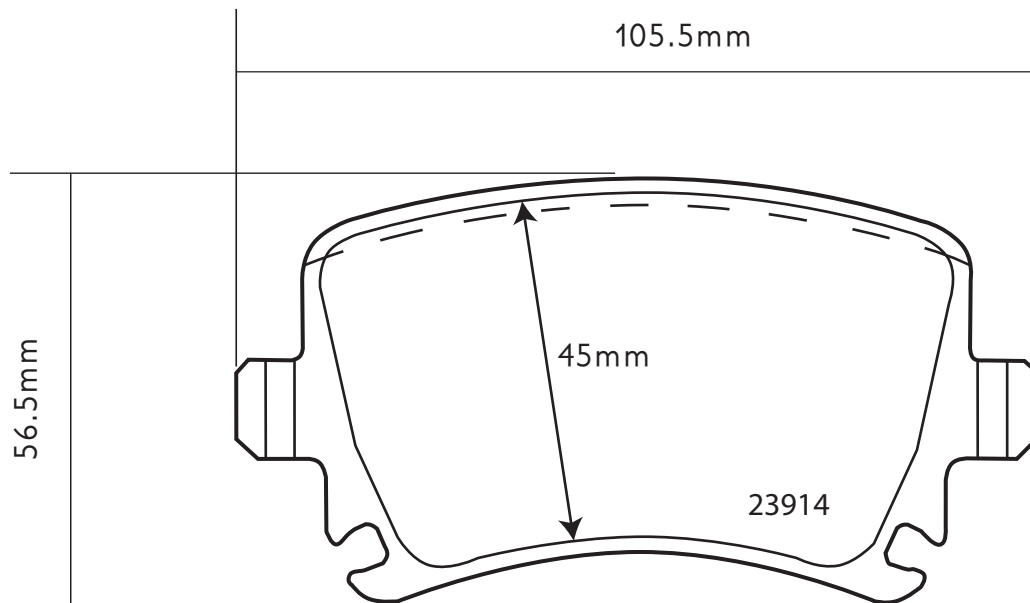
th 17.4mm



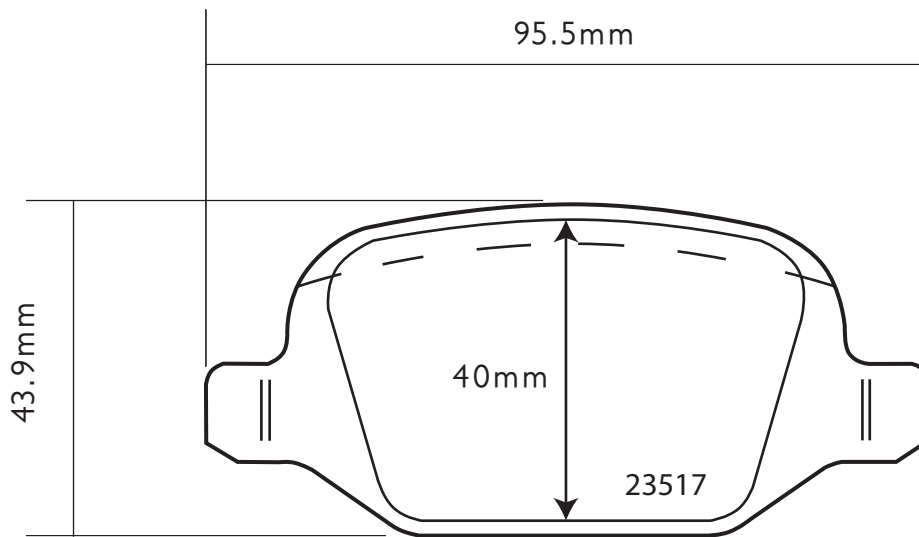
th 15mm



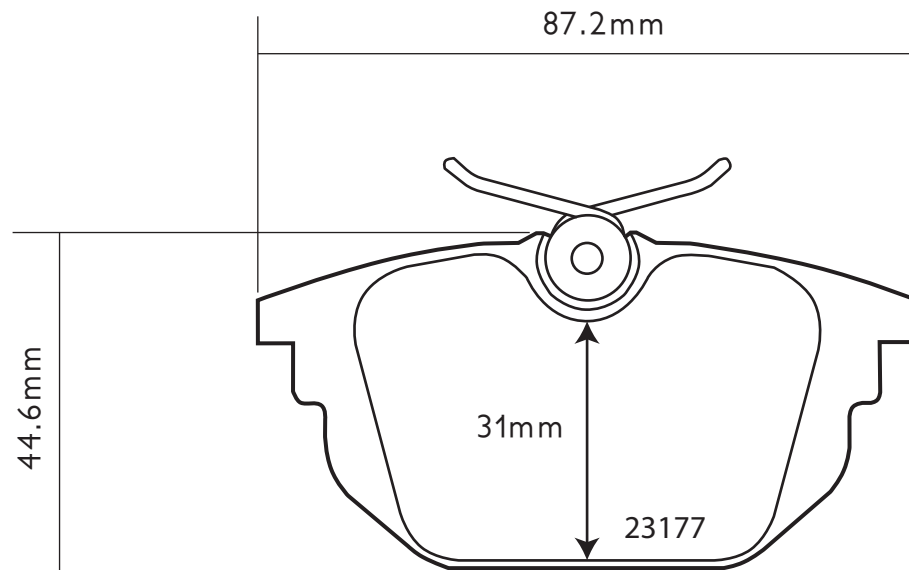
th 17.2mm



th 13.7mm

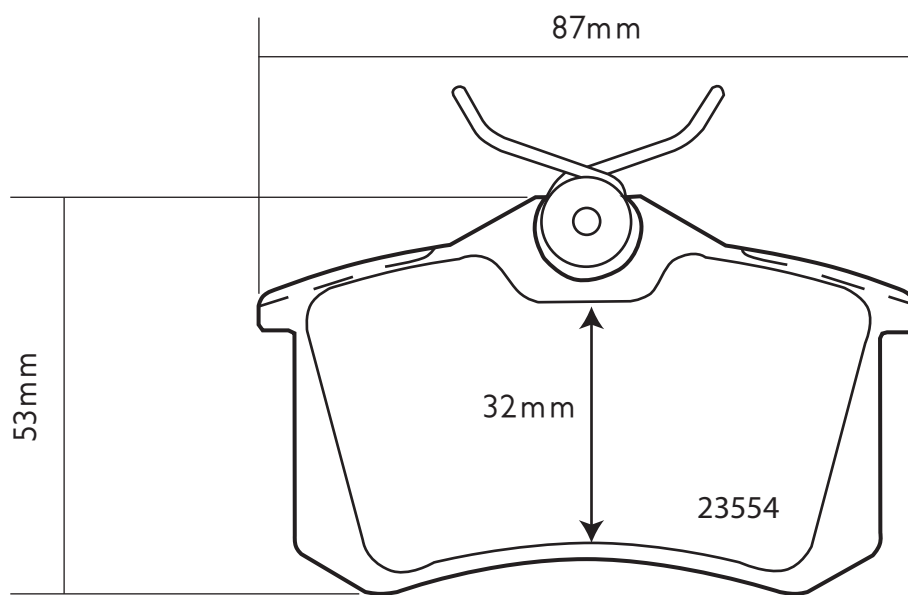


th 14mm

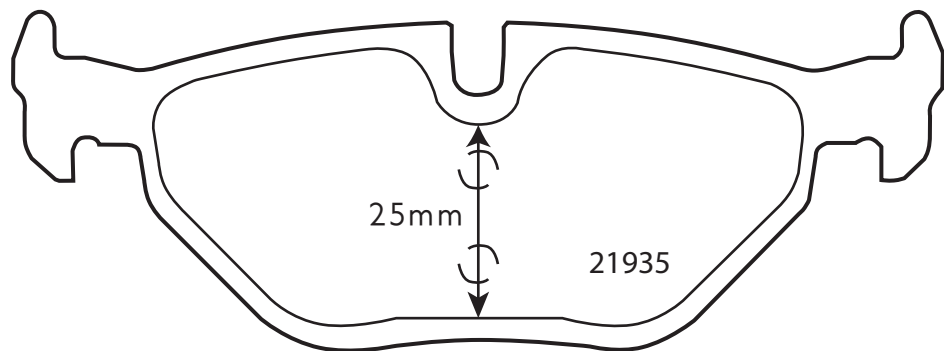
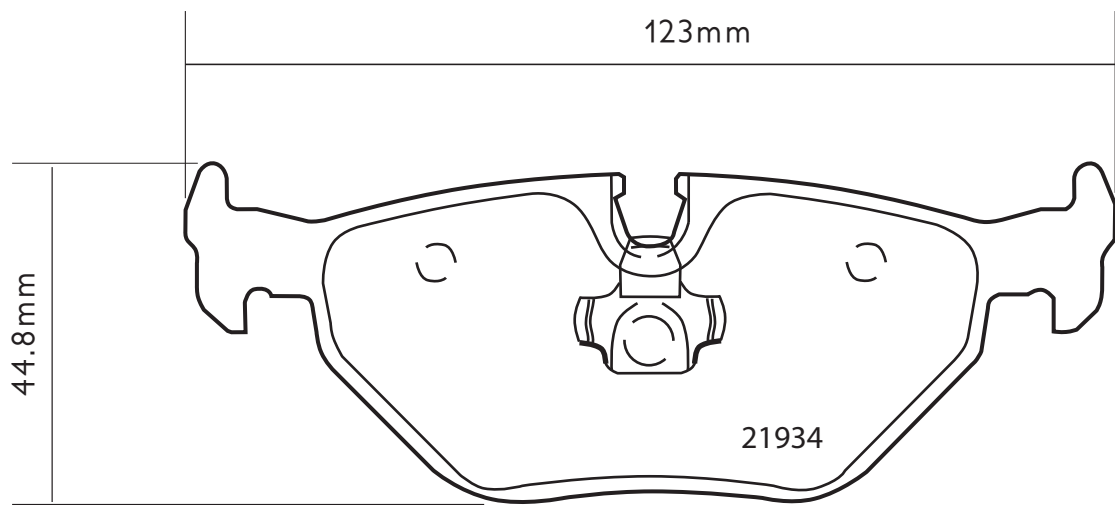


07.B315.25

th 15mm

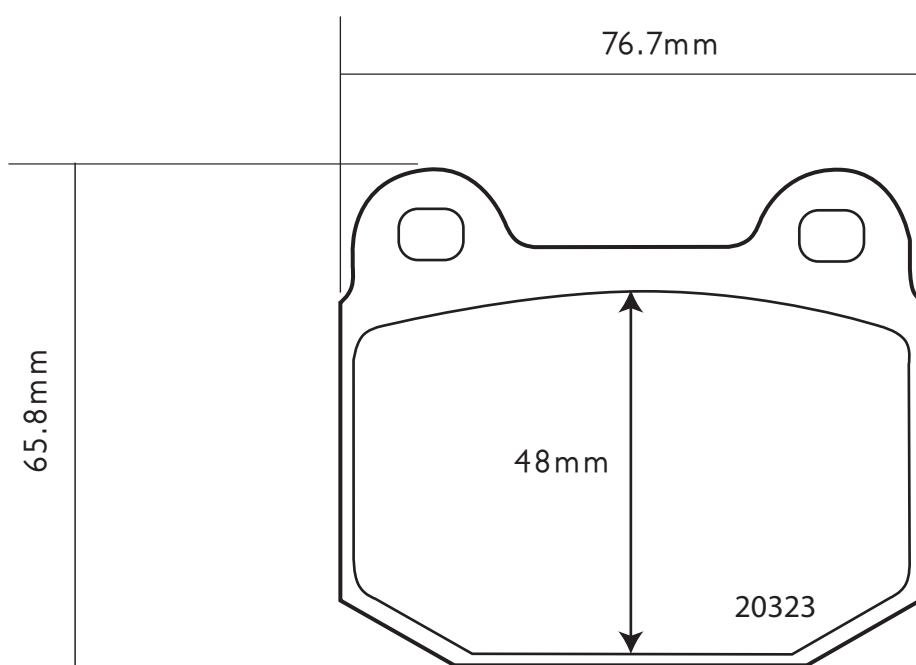


th 17mm

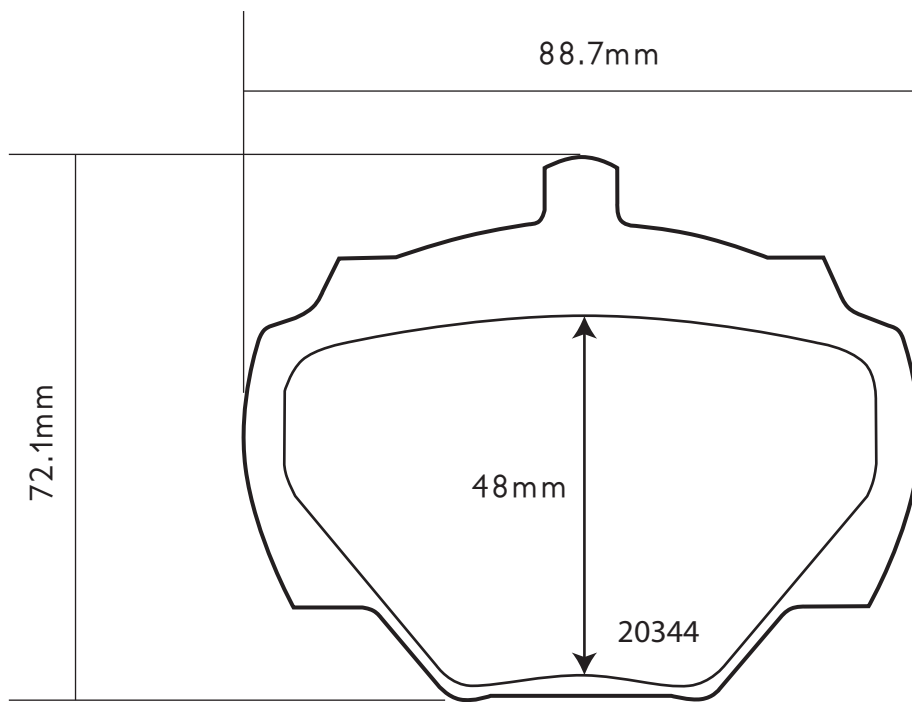


07.B315.27

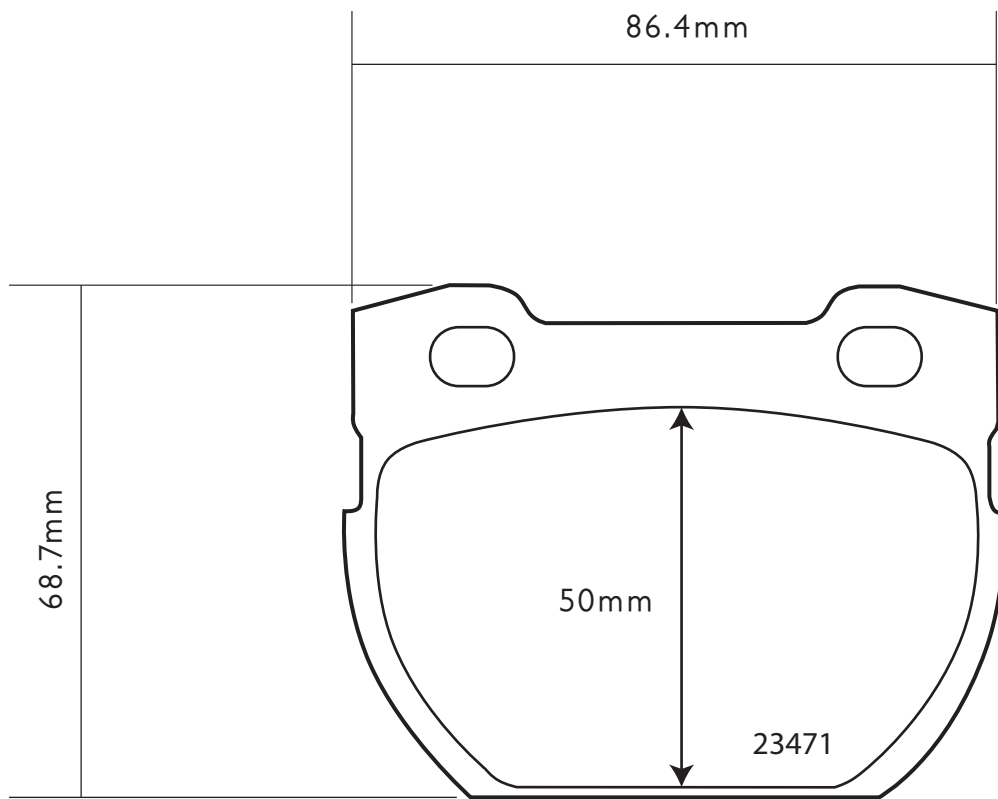
th 15mm



th 15mm

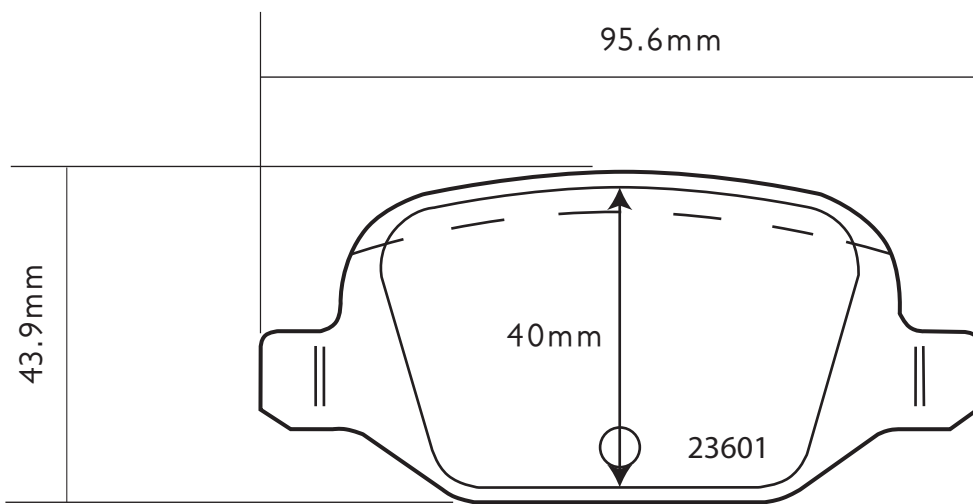


th 15mm

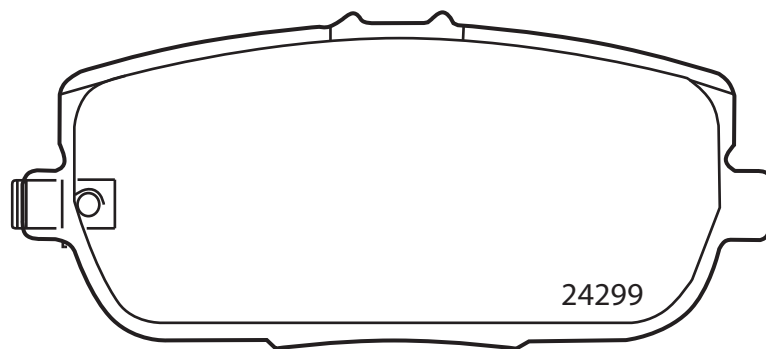
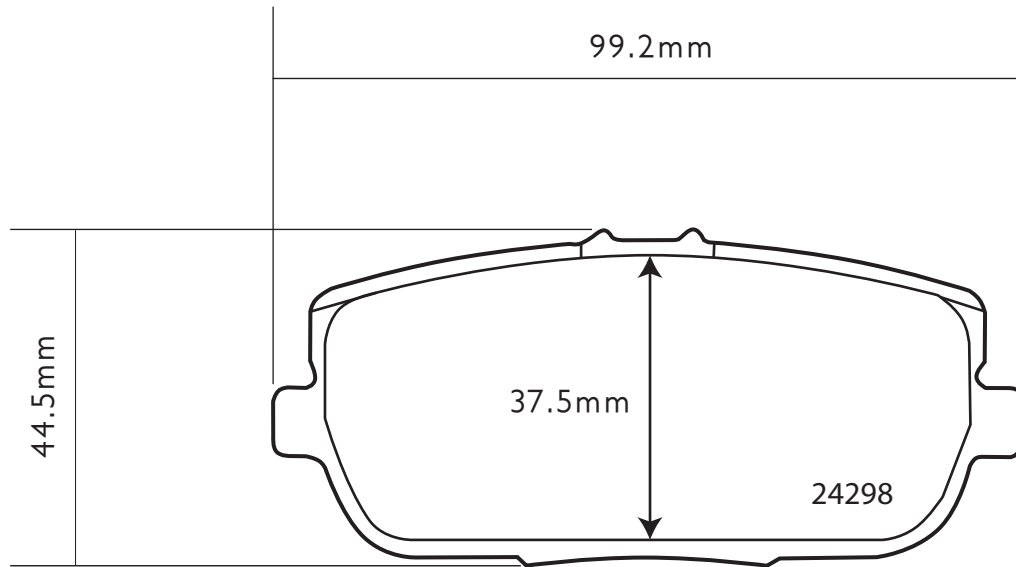


07.B315.30

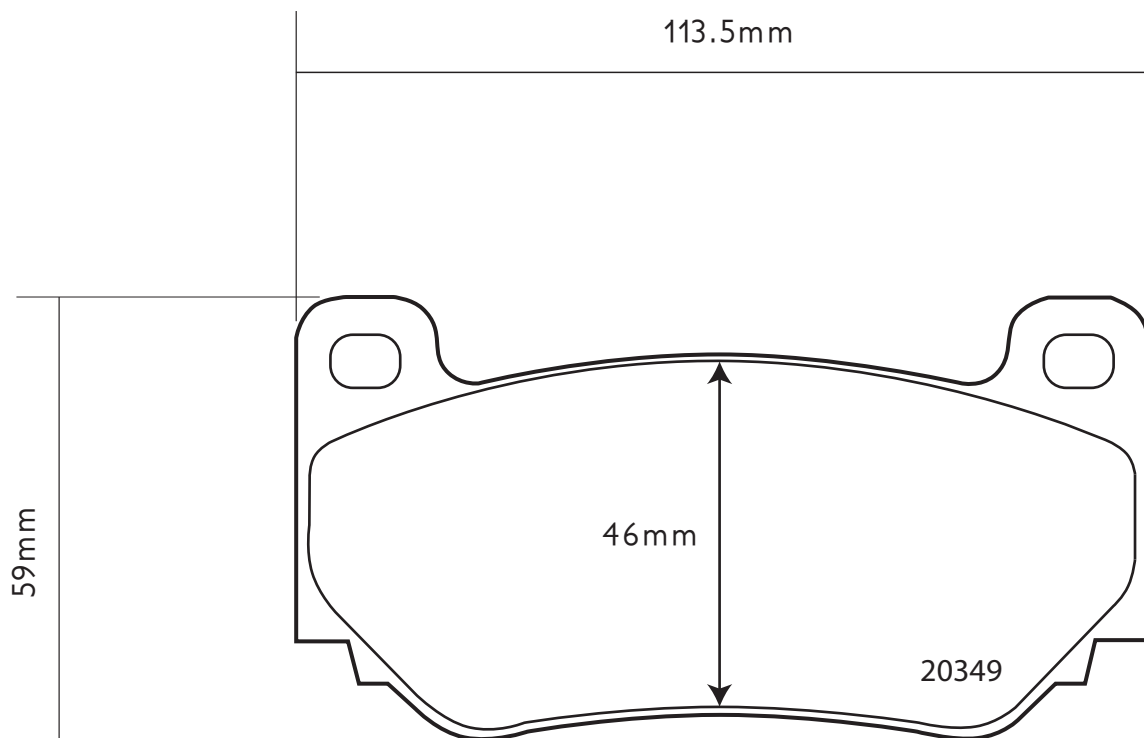
th 13.7mm



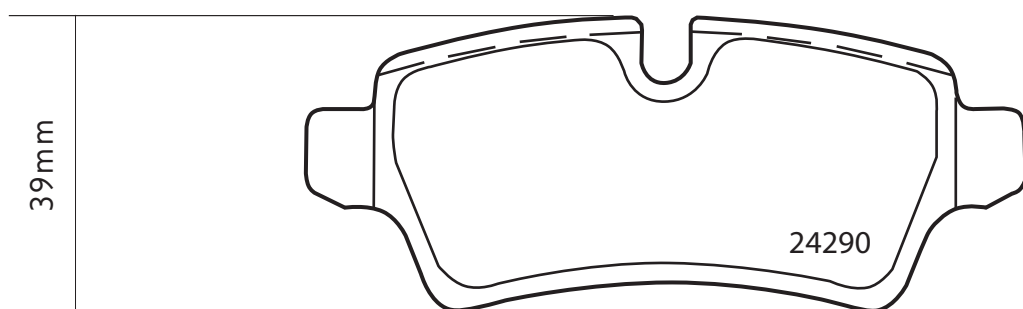
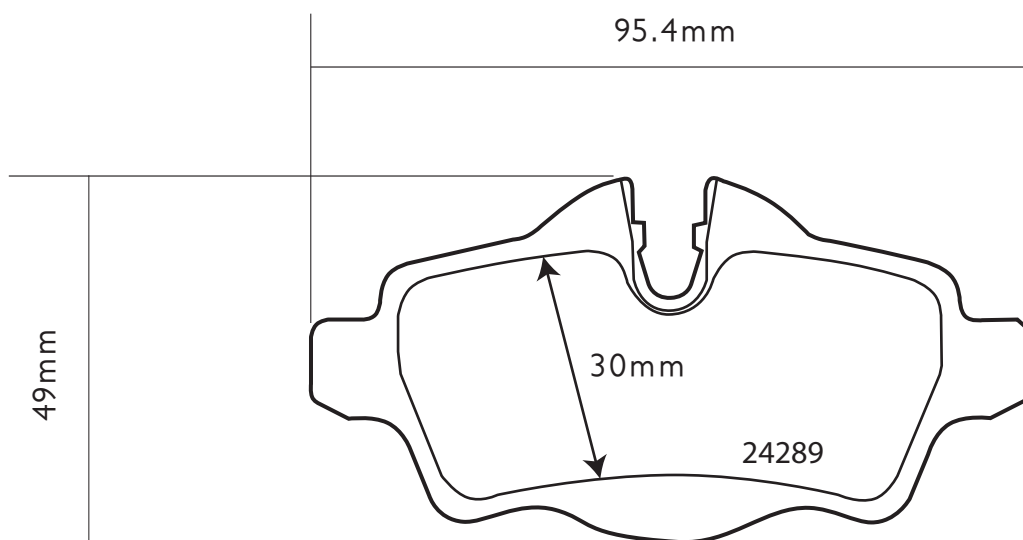
th 14mm



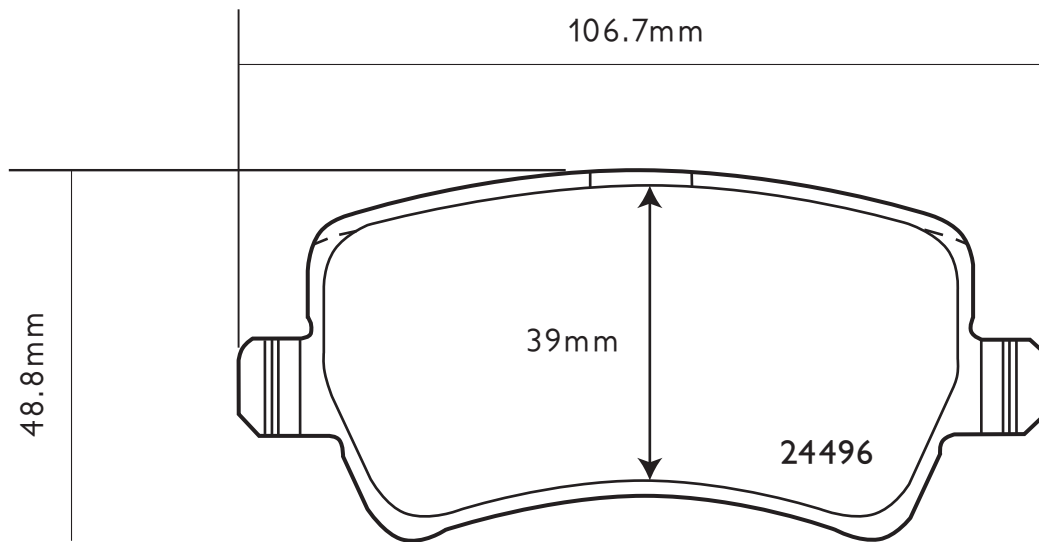
th 16mm



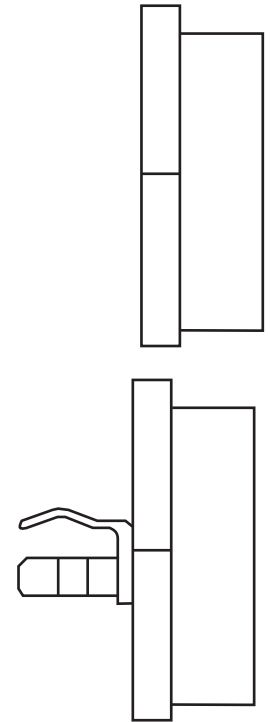
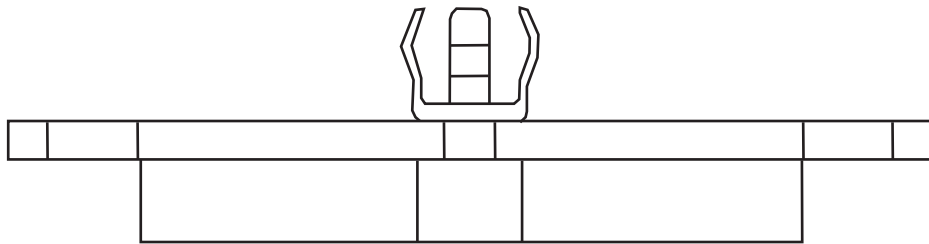
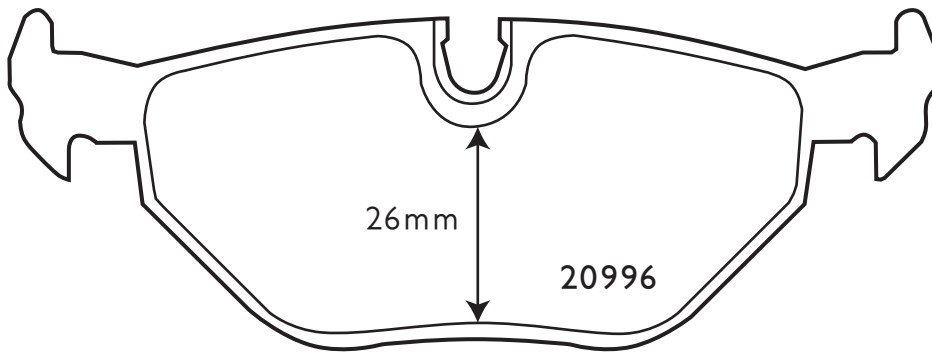
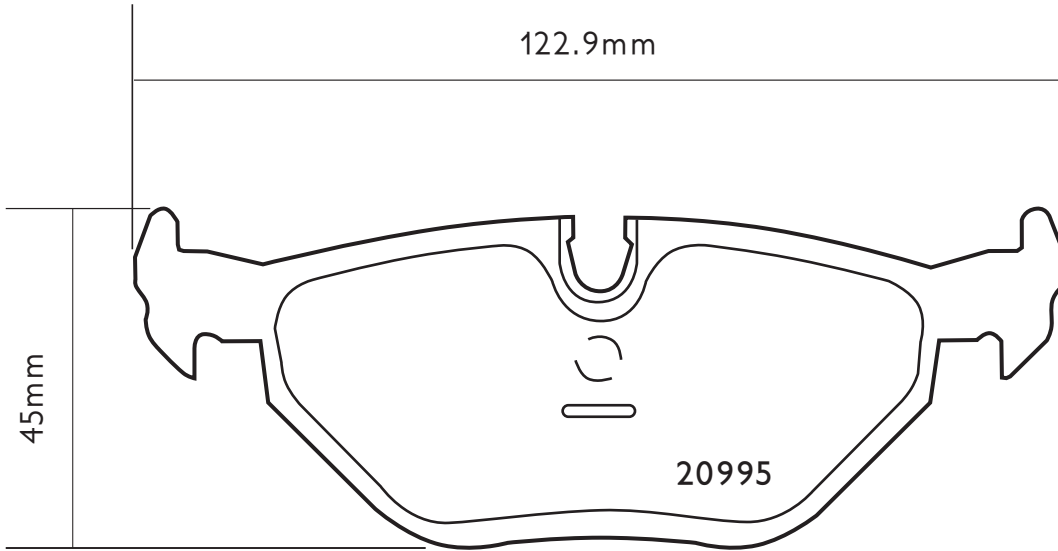
th 17mm



th 16.9mm

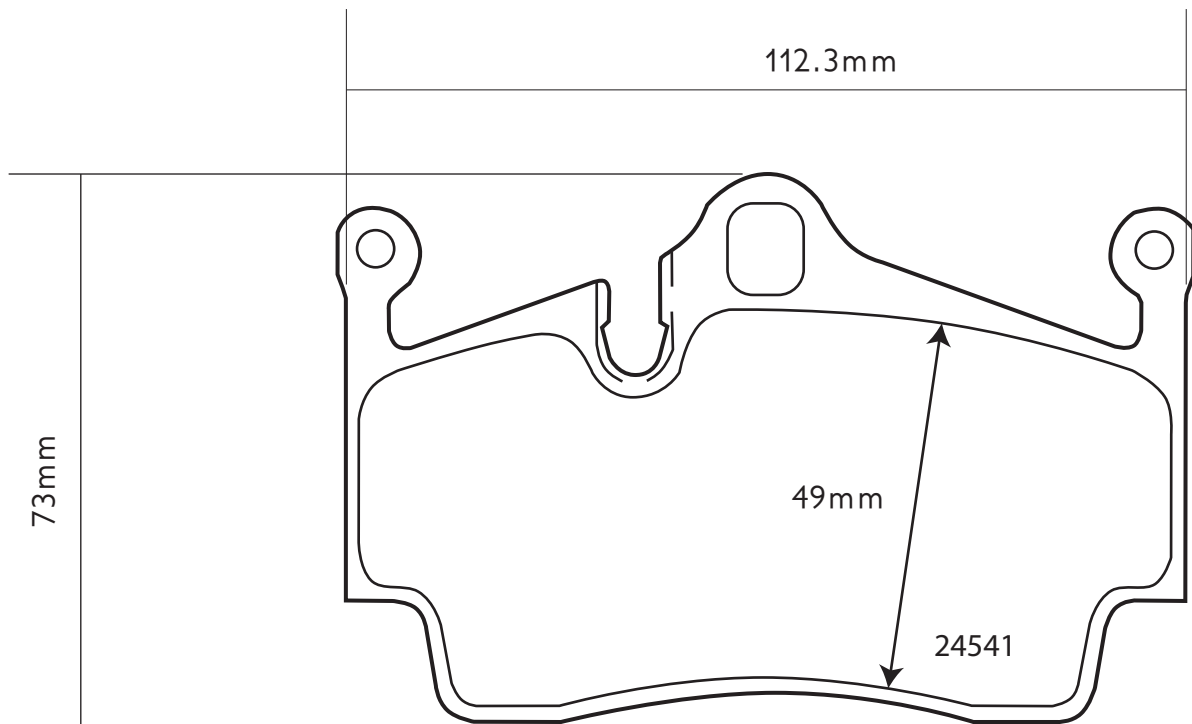


th 17.3mm



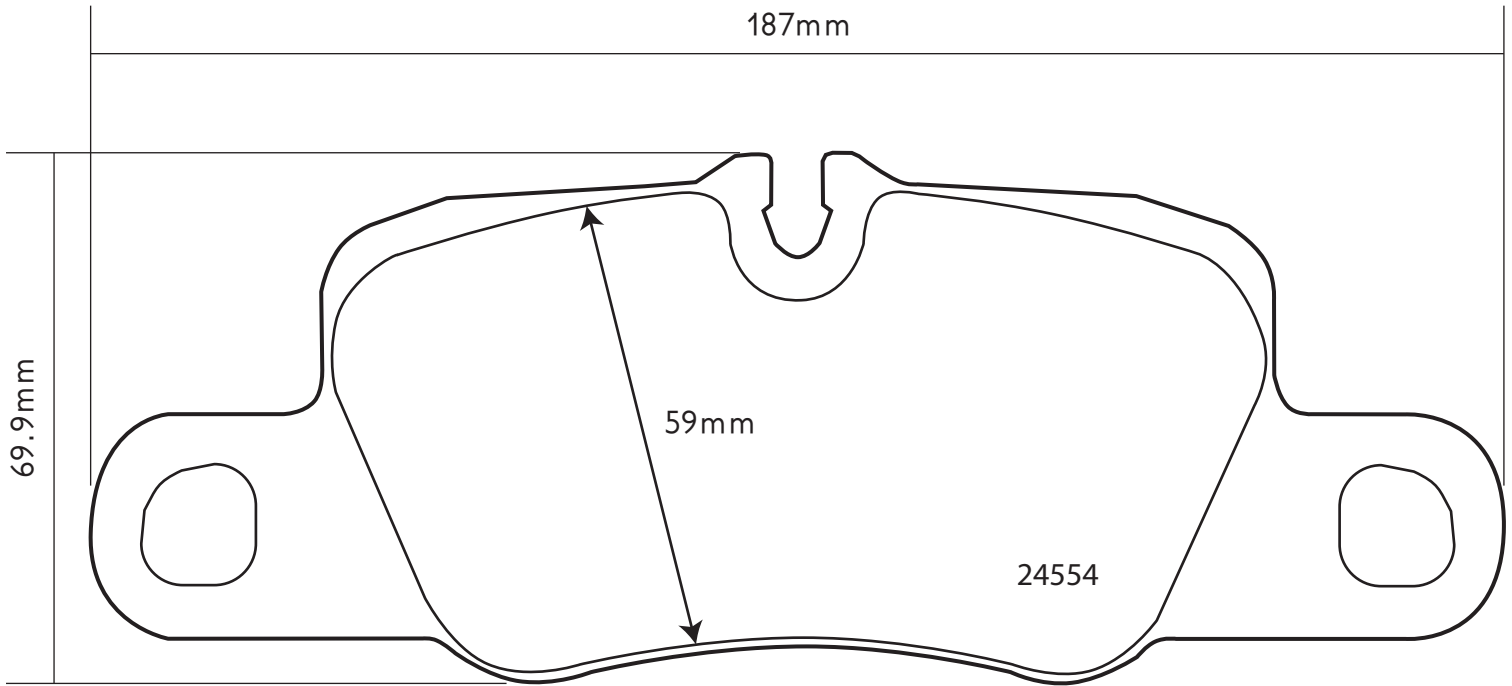
07.B315.36

th 15.5mm



07.B315.38

th 16mm



th 13.5mm

